

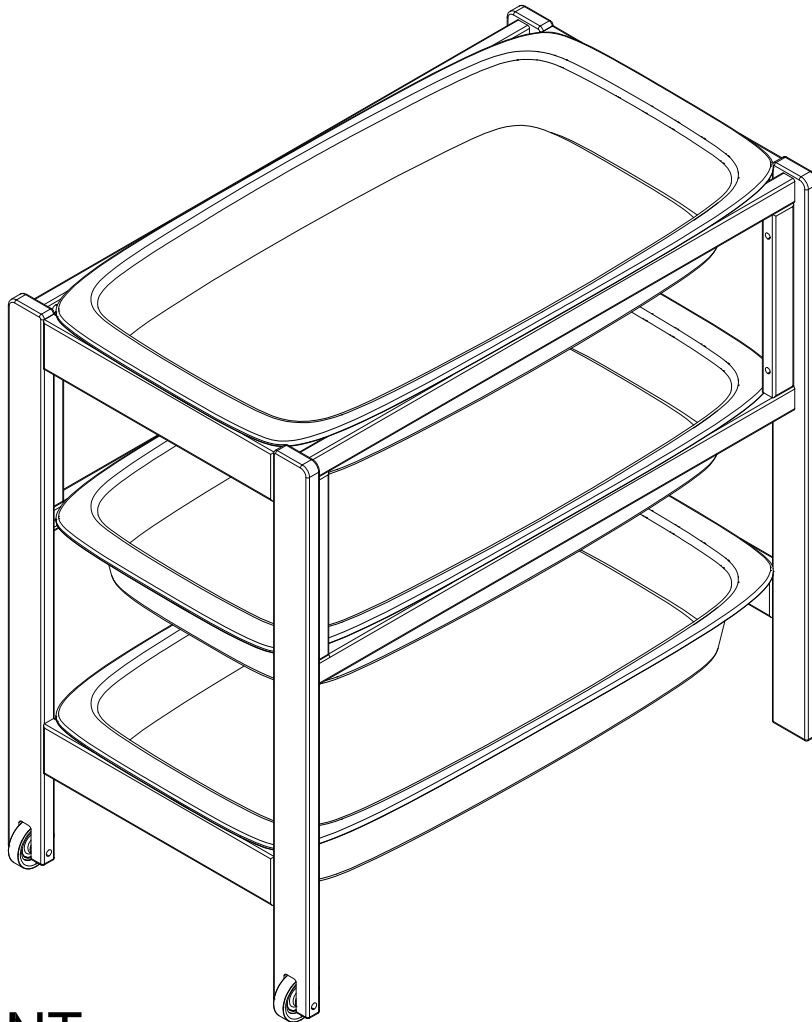
# Boori

## Tidy



## Changer

泰迪护理台



**IMPORTANT:  
PLEASE READ THE INSTRUCTIONS CAREFULLY  
AND KEEP FOR FUTURE REFERENCE**

重要：请仔细阅读此说明书，并妥善保管以便日后参考。

B-TICH

**Boori Australia Pty Ltd**  
 18-20 Charles Street  
 St. Marys Sydney NSW  
 2760 Australia  
 Tel: + 61 2 9833 3769  
 Fax: + 61 2 9673 4240  
 www.boori.com.au

**Boori (Europe) Ltd**  
 Unit 1 Riverside House,  
 Mill Lane, Newbury,  
 Berkshire, RG 14 5QS UK  
 Tel: + 44 016 3529 5670  
 Fax: + 44 016 3587 7552  
 www.boori.co.uk

**Halim & Boori Company**  
 10F. Halim INT'L B/D, #1674-4,  
 Seocho-Dong, Seocho-Gu,  
 Seoul, Korea  
 Tel: + 82 2598 1470  
 Fax: + 82 2583 8885  
 E-mail : ted@boori.co.kr  
 Postal code: 137-725.

ブーリジャパン株式会社  
 〒141-0031  
 東京都品川区西五反田  
 7-22-17 TOCビル5F  
 TEL:03-6420-0024  
 EMAIL:info@boori.co.jp  
 HP:www.boori.jp

上海薇奈莎商贸有限公司  
 上海市青浦区徐泾镇华徐公路577号  
 VEG微格创意园A8-10室  
 邮编: 201702  
 电话: + 86 21 5296 6600  
 传真: + 86 21 5296 6636  
 网址: www.boori.com.cn


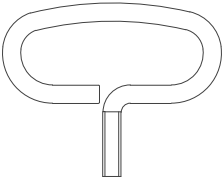
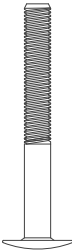
## Tidy Changer (B-TICH)

Dimensions (External/外径) : 842\*495\*800mm

Main Materials: Australian Araucaria

主要材质: 澳洲南洋杉

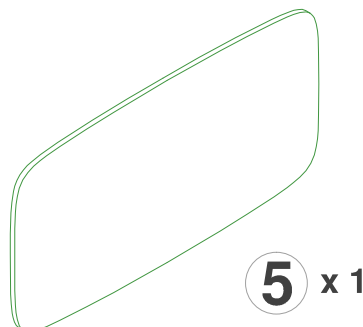
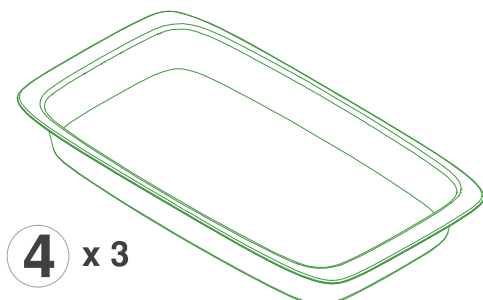
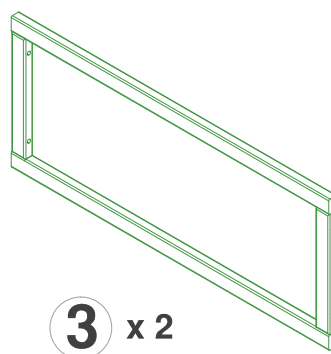
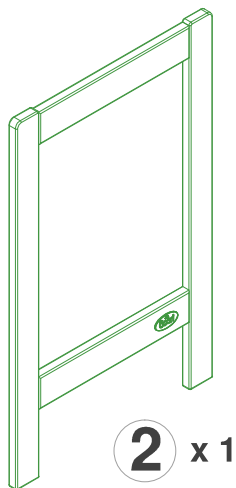
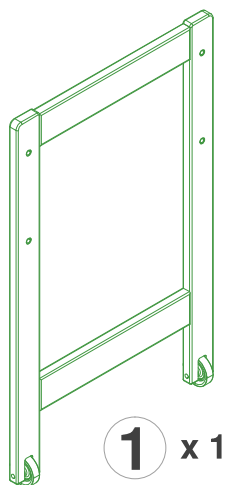
### Hardware / 五金单

A x 1	B x 1	C x 8
		
M4*65*25mm	M4*50*43mm	M6*47mm

### Parts List / 部件清单

**Note: Use only spare parts approved by the manufacturer.**

注意: 仅限使用制造商提供的产品零配件及五金。

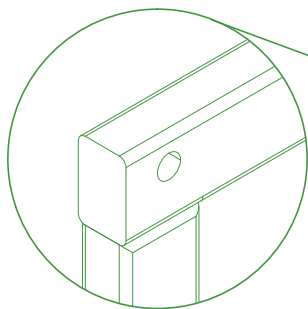


# Assembly / 安装说明

## 1

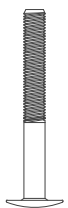
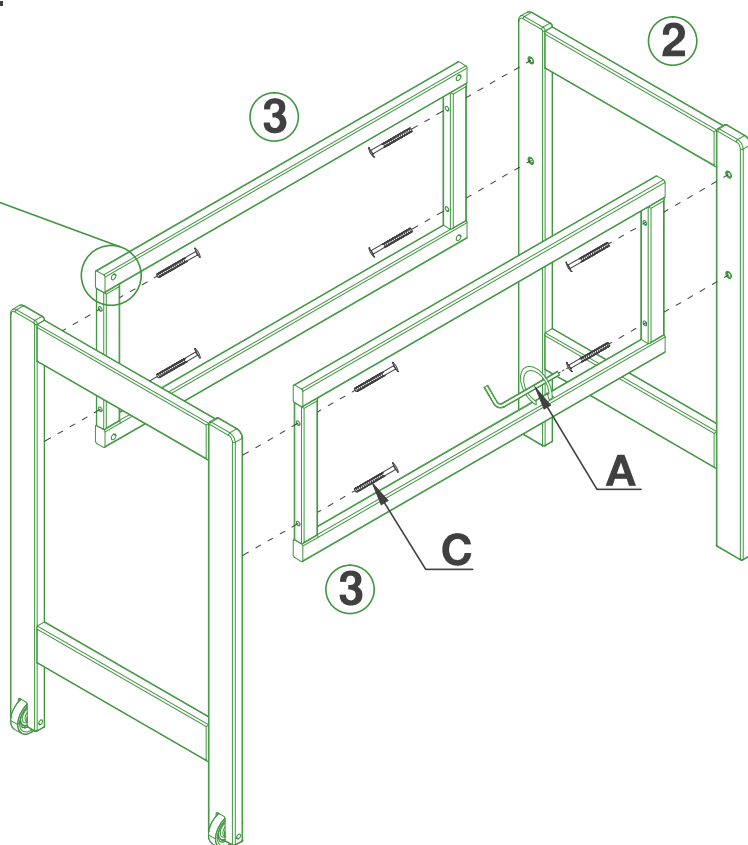
Tighten all the connecting bolts.

锁紧所有螺丝。



1

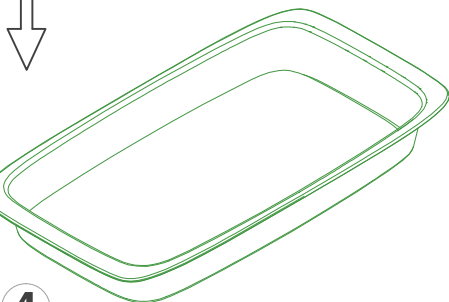
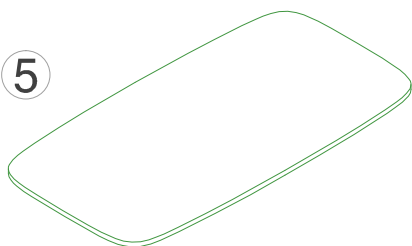
⚠ Ensure this hole faces inwards.  
确保此孔面朝内。



Cx8

## 2

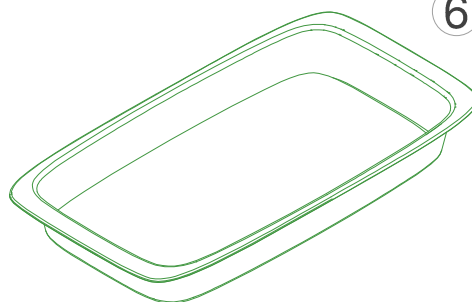
5



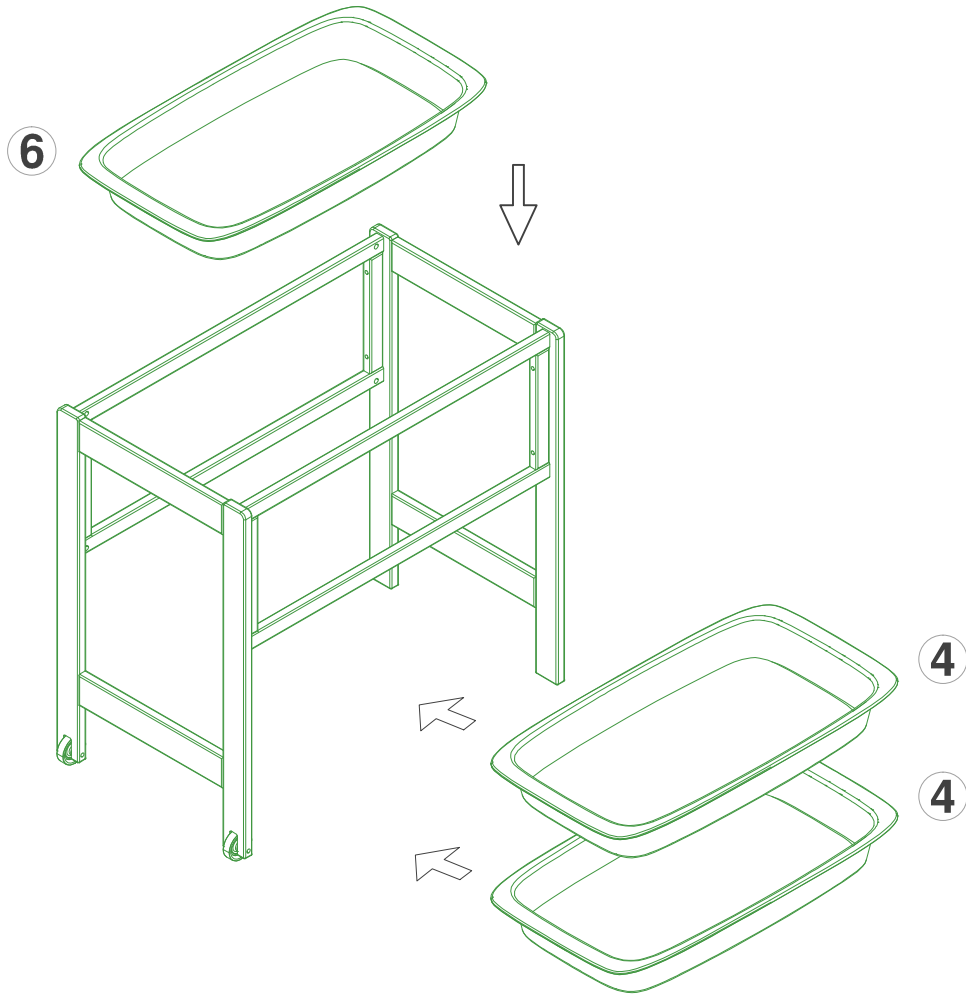
4



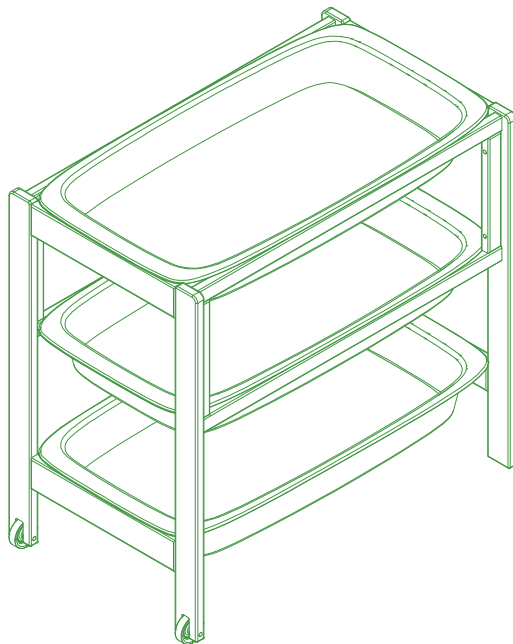
6



3



4



# Boori Furniture

**NOTE:** Use only spare parts approved by the manufacturer

**FOR THE UK**

**EN 12221-1/-2:2008+A1:2013**

**⚠ WARNING:** Do not leave the child unattended

\* This product is not intended to be used as a table. Use of the product without instruction may result in death or serious injury to your child from falling.

Follow all instructions on attaching and using the changer.

\* When lockable castors/wheels are fitted, they shall be locked when the changing units is in use.

\* All assembly fittings shall always be correctly tightened and checked regularly.

\* Be aware of the risk of open fires and other sources of strong heat, such as electric bar fires, gas fires, etc. in the near vicinity of the changing unit.

\* Recommended pad size is shown on carton marking.

\* This product is intended for children under 12 months, and lighter than 11kg.

\* Any additional or replacement parts shall only be obtained from the manufacturer or distributor.

\* Not to use the changing unit when any part is broken, torn or missing.

**FOR THE USA**

**( ASTM F 2388:2009 )**

**⚠ WARNING:** Do not leave the child unattended

## 1. **FALL HAZARD:**

To prevent death or serious injury, always keep child within arm's reach.

2. Read all instructions before use of the changing table, add-on changing unit, or contoured changing pad.

3. Keep instructions for future use.

4. Do not use changing table, add-on changing unit, or contoured changing pad if it is damaged or broken.

5. Recommended pad size is shown on carton marking.

6. This product is intended for children under 12 months, and lighter than 11kg.