

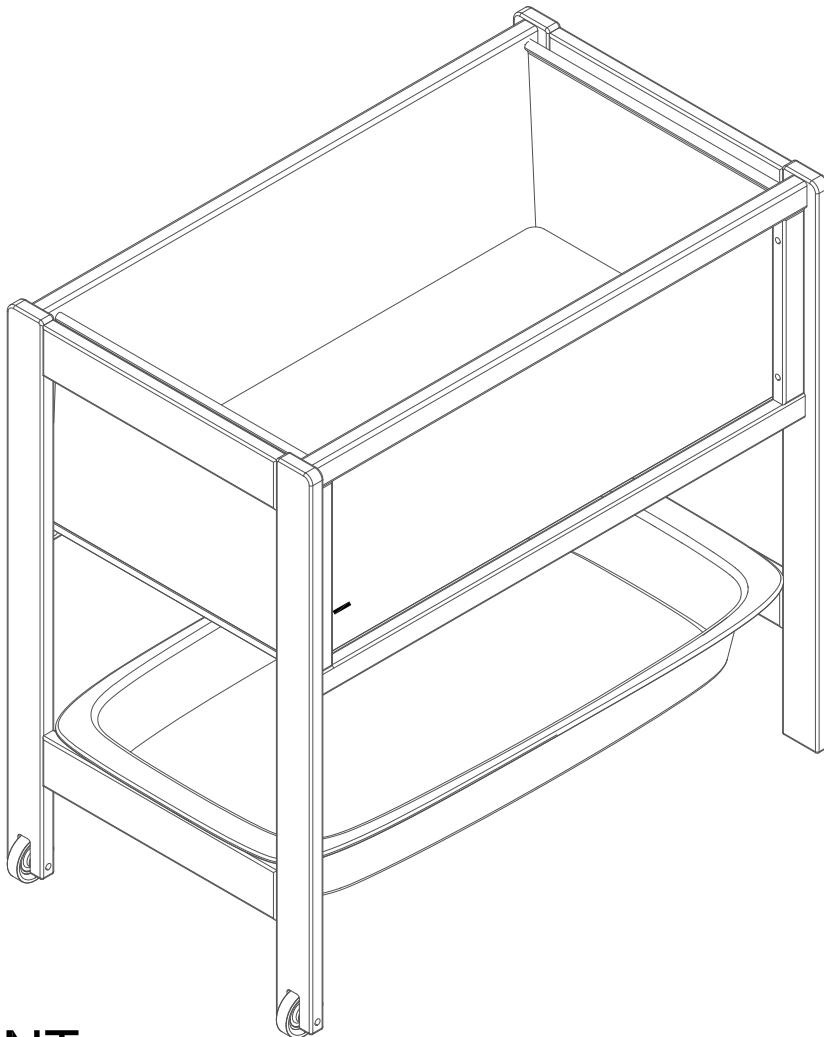
Boori

Tidy



Bassinet Plus

泰迪移动睡篮



**IMPORTANT:
PLEASE READ THE INSTRUCTIONS CAREFULLY
AND KEEP FOR FUTURE REFERENCE**

重要：请仔细阅读此说明书，并妥善保管以便日后参考。

B-TIBAS

Boori Australia Pty Ltd
 18-20 Charles Street
 St. Marys Sydney NSW
 2760 Australia
 Tel: + 61 2 9833 3769
 Fax: + 61 2 9673 4240
 www.boori.com.au

Boori (Europe) Ltd
 Unit 1 Riverside House,
 Mill Lane, Newbury,
 Berkshire, RG 14 5QS UK
 Tel: + 44 016 3529 5670
 Fax: + 44 016 3587 7552
 www.boori.co.uk

Halim & Boori Company
 10F. Halim INT'L B/D, #1674-4,
 Seocho-Dong, Seocho-Gu,
 Seoul, Korea
 Tel: + 82 2598 1470
 Fax: + 82 2583 8885
 E-mail : ted@boori.co.kr
 Postal code: 137-725.

ブーリジャパン株式会社
 〒141-0031
 東京都品川区西五反田
 7-22-17 TOCビル5F
 TEL:03-6420-0024
 EMAIL:info@boori.co.jp
 HP:www.boori.jp

上海薇奈莎商贸有限公司
 上海市青浦区徐泾镇华徐公路577号
 VEG微格创意园A8-10室
 邮编: 201702
 电话: + 86 21 5296 6600
 传真: + 86 21 5296 6636
 网址: www.boori.com.cn

Tidy Bassinet Plus (B-TIBAS)

Dimensions (External/外径) : 842*495*800mm

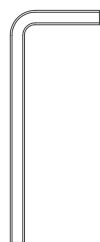
Main Materials: Australian Araucaria

产品规格 (Internal / 内径) : 800*416*795mm

主要材质: 澳洲南洋杉

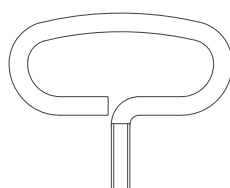
Hardware / 五金单

A x 1



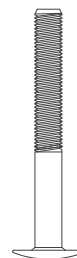
M4*65*25mm

B x 1



M4*50*43mm

C x 8

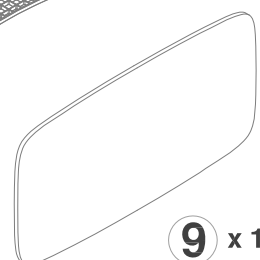
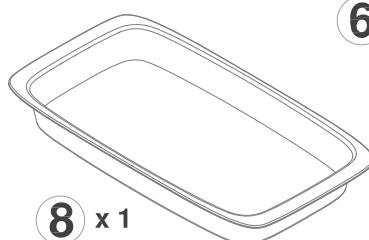
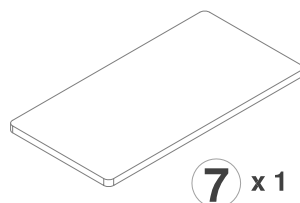
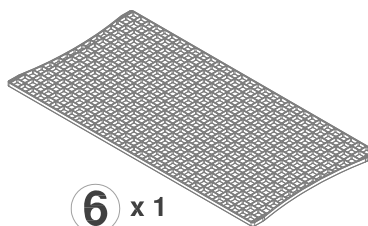
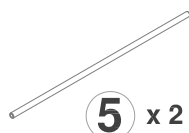
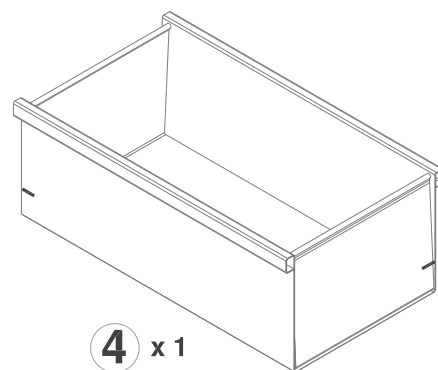
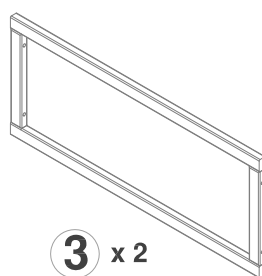
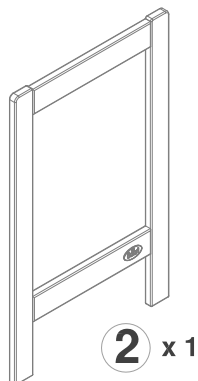
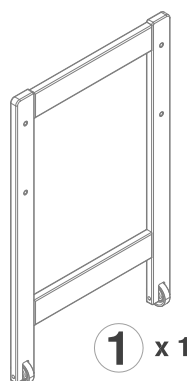


M6*47mm

Parts List / 部件清单

Note: Use only spare parts approved by the manufacturer.

注意: 仅限使用制造商提供的产品零配件及五金。

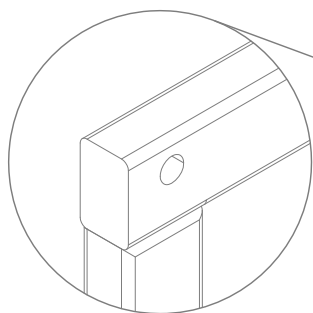


Assembly / 安装说明

1

Do not tighten the bolts for now.

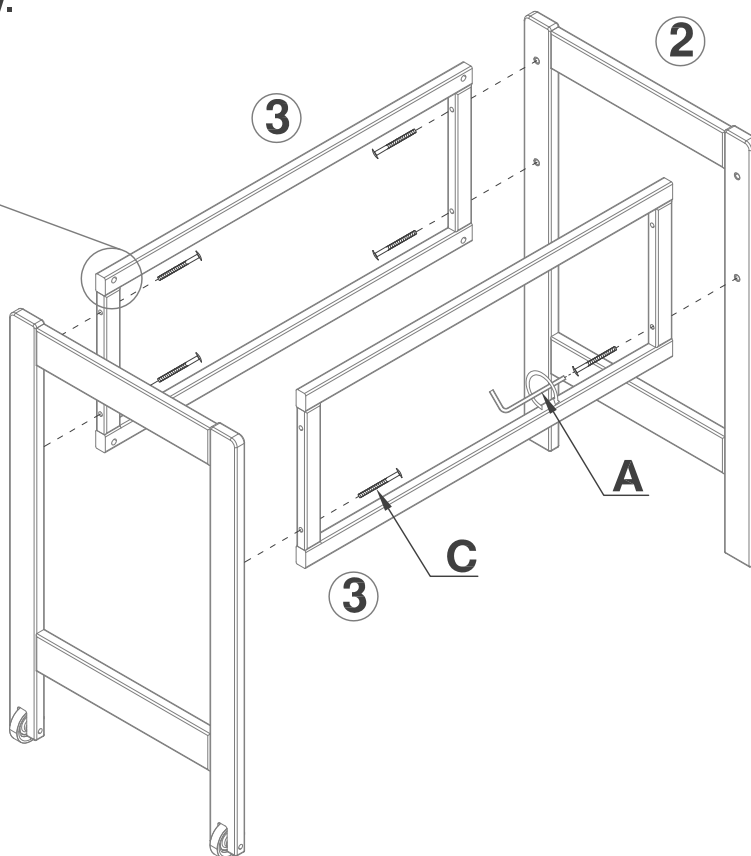
螺丝暂时不要完全锁紧。



1

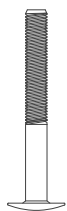
3

2



Ensure this hole faces inwards.

确保此孔面朝内。

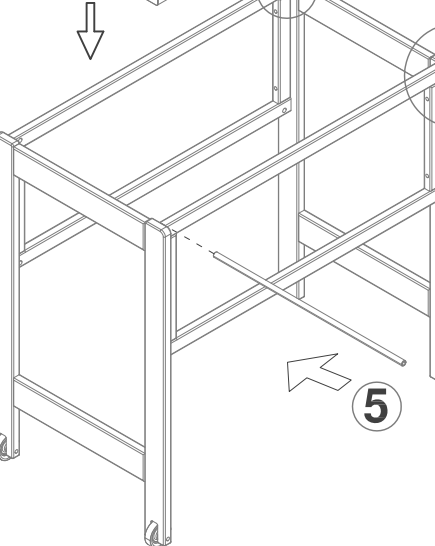
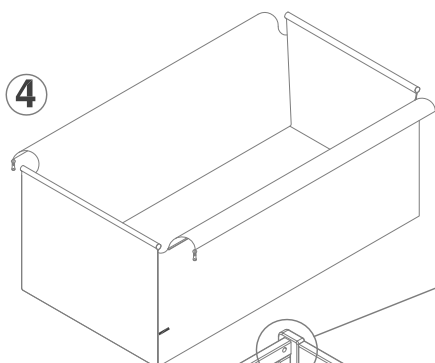


Cx6

2

Do not tighten the bolts for now.

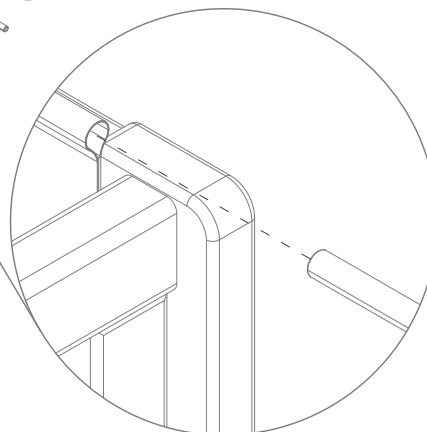
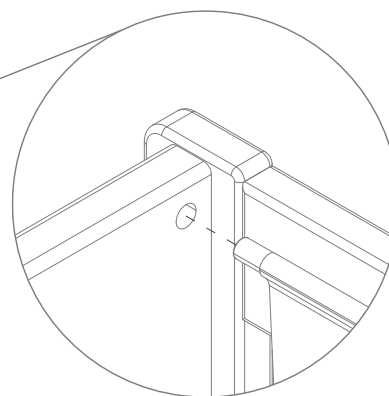
螺丝暂时不要完全锁紧。



4

5

5

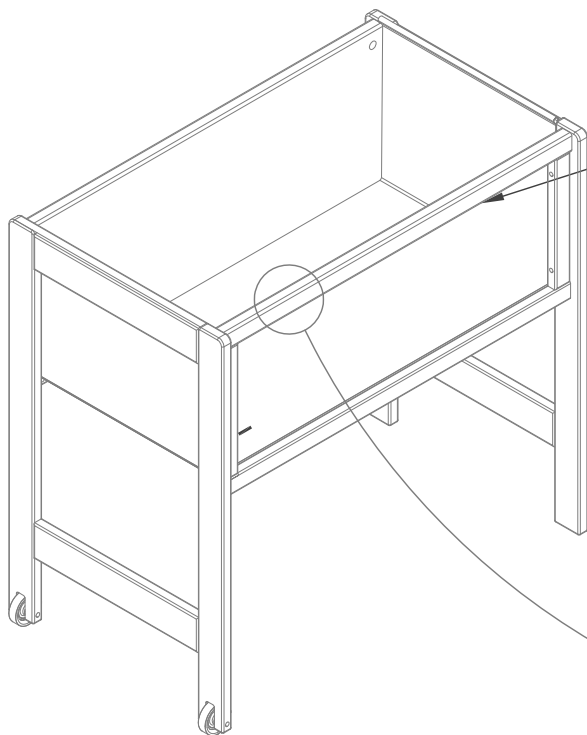


Assembly / 安装说明

3

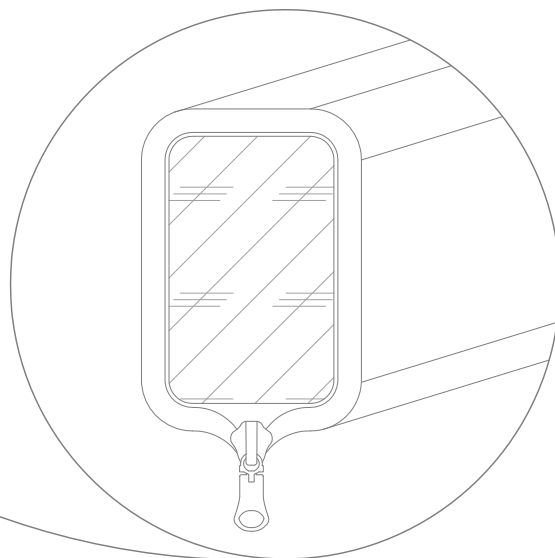
Do not tighten the bolts for now.

螺丝暂时不要完全锁紧。



Secure the top of the sleeping net to the top of the frame by wrapping it around and then zipping it up

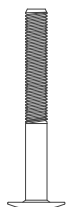
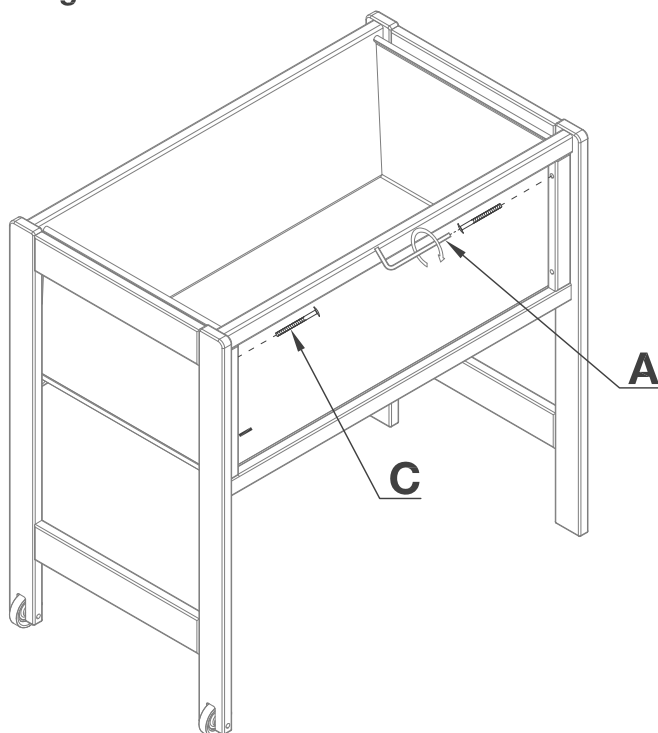
两侧面用拉链把网兜边拉拢、连接。



4

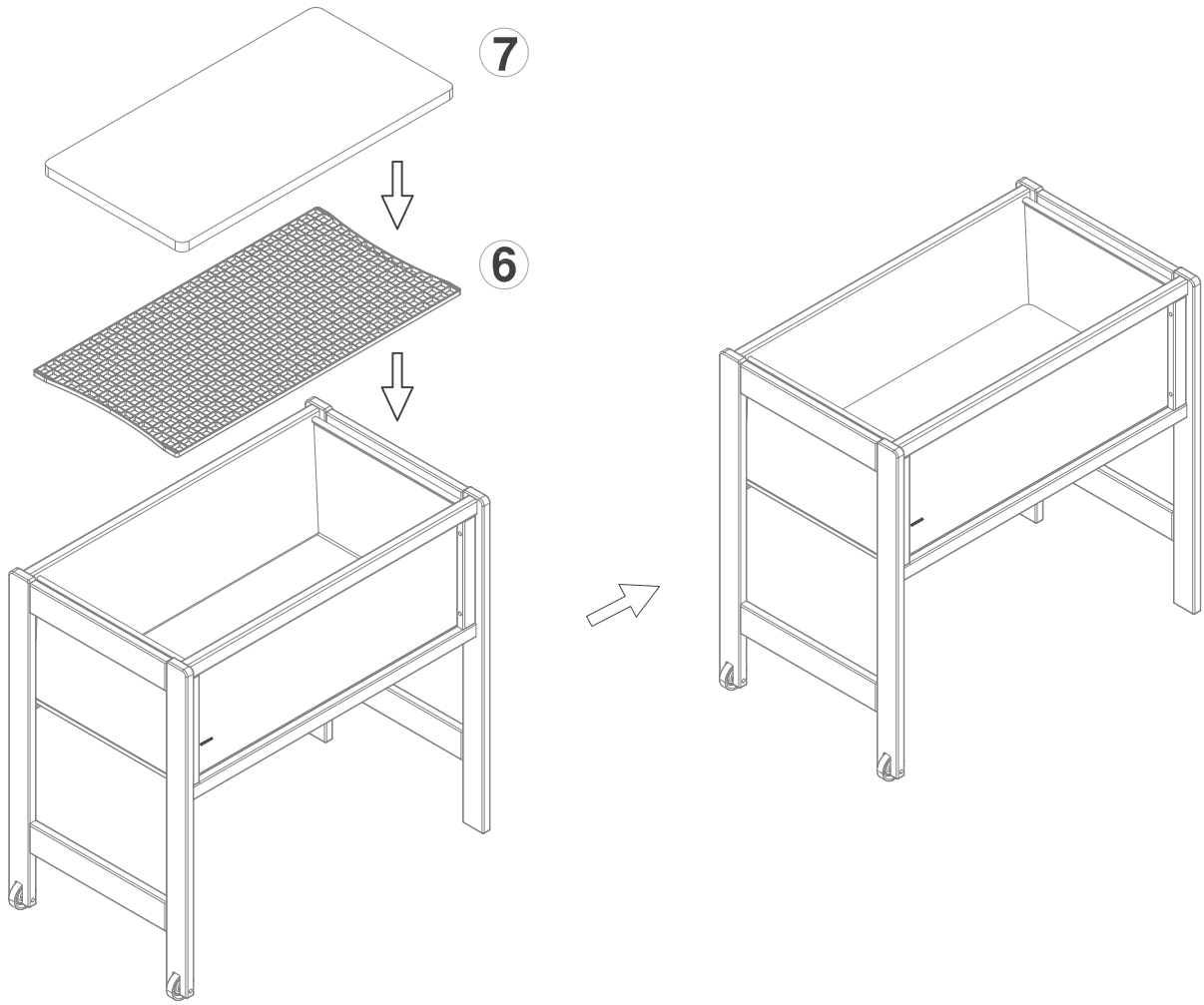
Tighten all the connecting bolts.

锁紧所有螺丝。

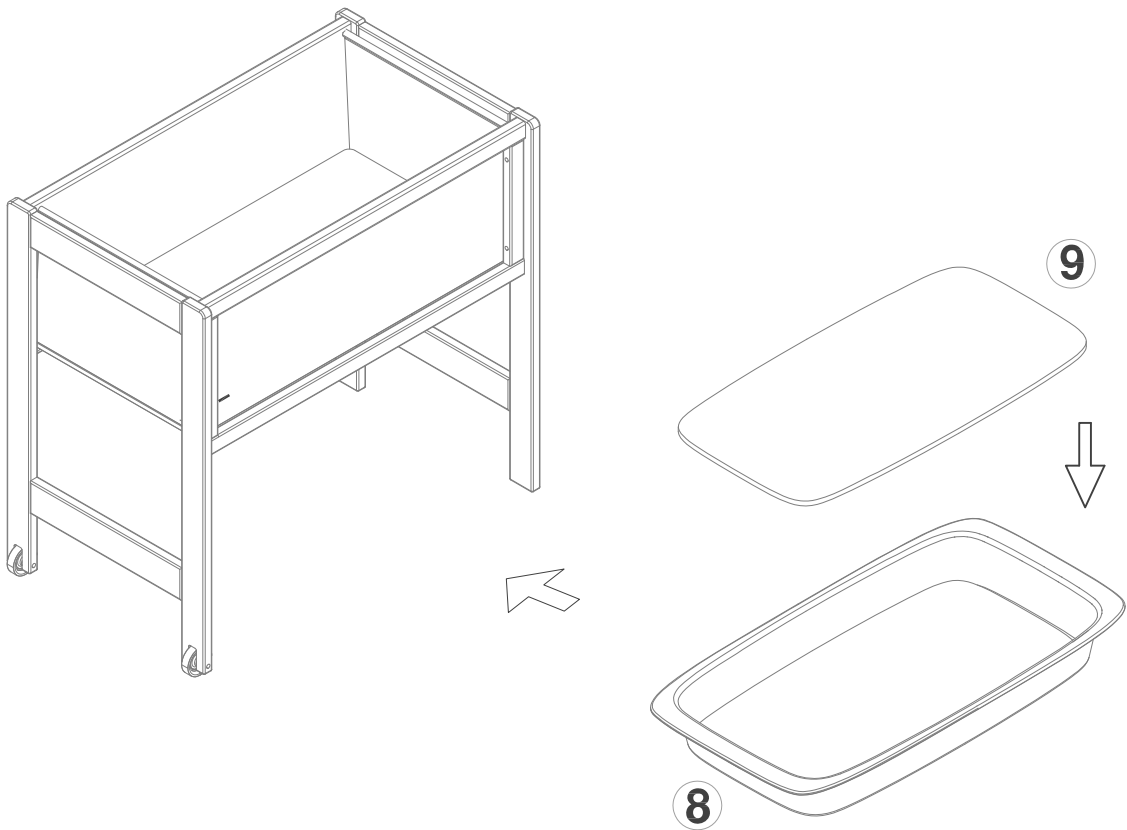


Cx2

5



6

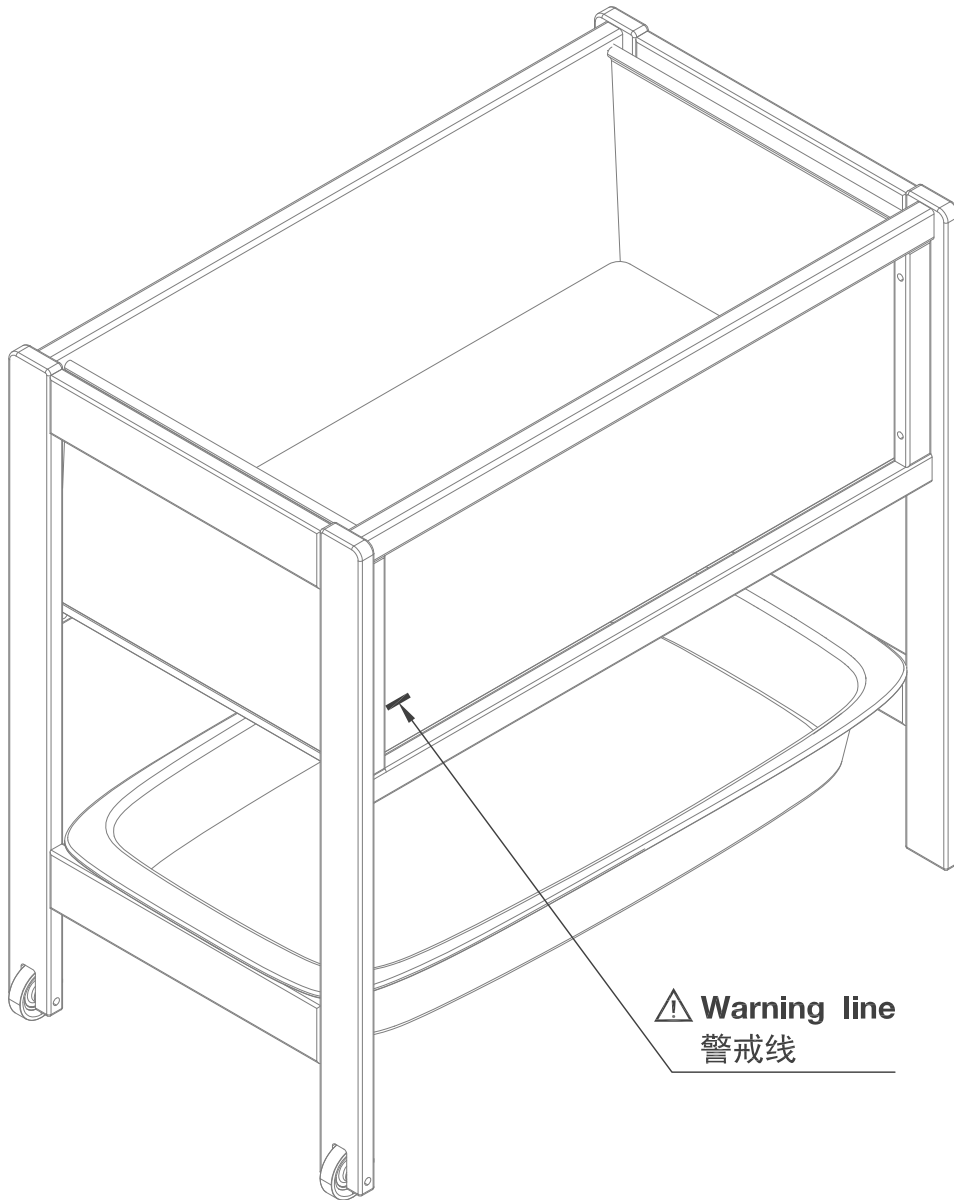


Assembly / 安装说明

7

Warning: Please ensure the top of the mattress used in this bassinet is lower than the warning line.

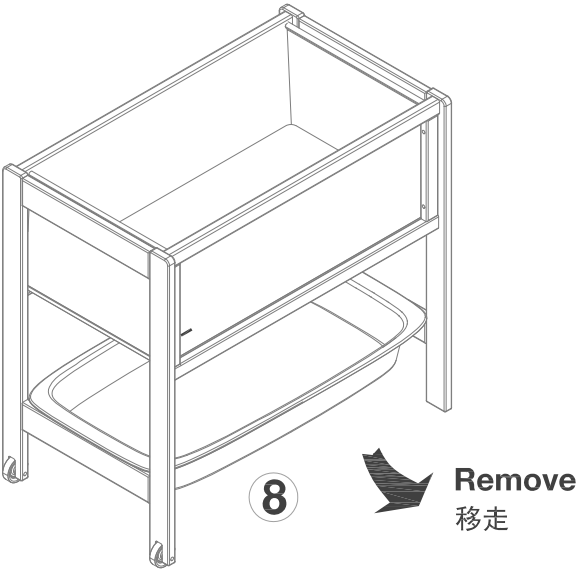
警告: 请确保本睡篮使用的床垫不要超过警戒线。



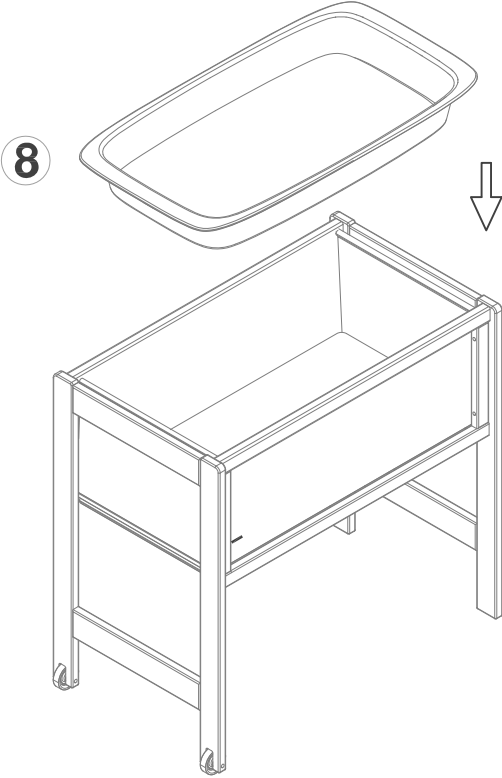
⚠ Warning line
警戒线

Convert into a change table / 转换成护理台

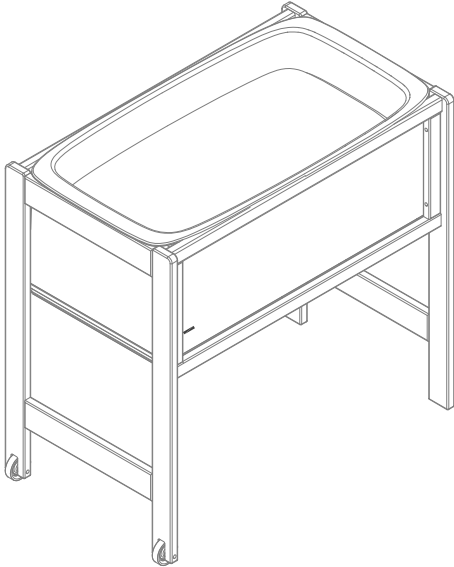
1



2



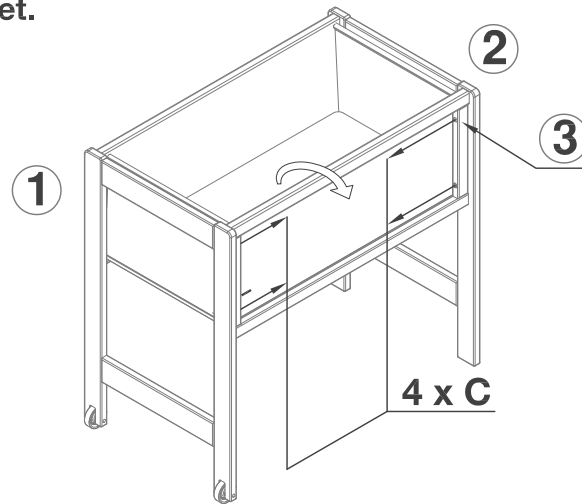
3



Convert into a shelf / 转换成置物架

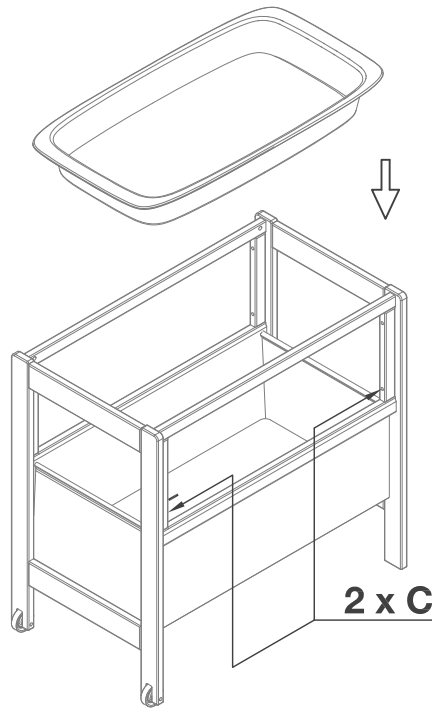
1

Lower the sleeping net.
降低睡篮。



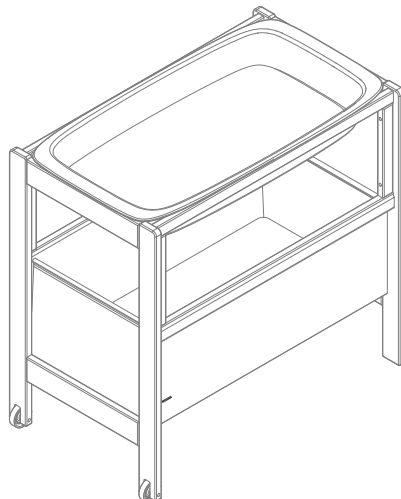
2

When the sleeping net is not in use, you can lower it to the bottom position to act as a shelf.
当此睡篮闲置时，可置于低档位做置物架使用。



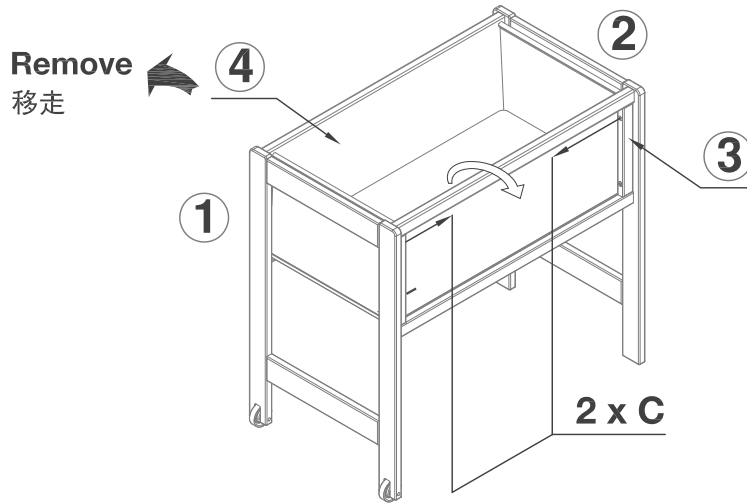
3

Configuration where the sleeping net is on the bottom.
低档位使用状态。



Convert into a shelf / 转换成置物架

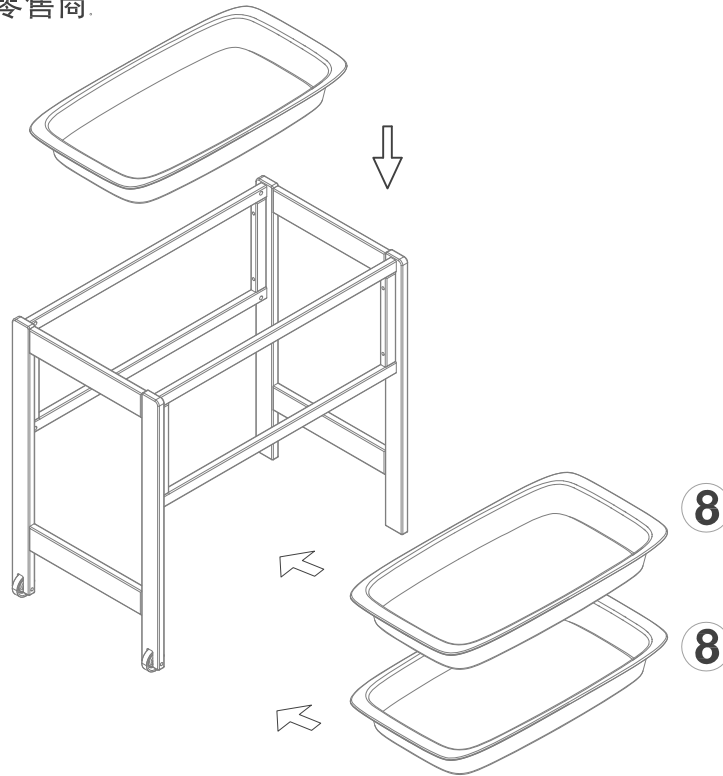
1



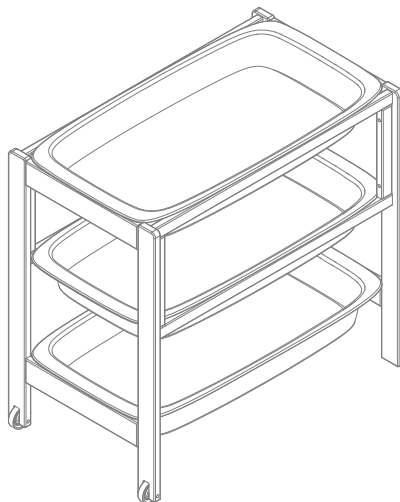
2

To convert to a shelf, accessory ⑧ must be bought separately.
Follow the instructions below for the conversion.
Please contact your Boori dealer for more information.

转换至置物架，需另外购买配件 ⑧，按照以下步骤安装后使用。
详情请就近咨询博瑞零售商。



3



Boori Furniture

NOTE: Use only spare parts approved by the manufacturer

FOR THE UK

(BS EN 1130-1/-2:1996)

IMPORTANT RETAIN FOR FUTURE REFERENCE READ CAREFULLY

- a) the crib/cradle should be placed on a horizontal floor;
- b) young children should not be allowed to play unsupervised in the vicinity of a crib/cradle;
- c) the crib/cradle should be locked in the fixed position when a child is unsupervised in it;
- d) Not to use the crib/cradle if any part is broken. Torn or missing;
- e) "When a child is able to sit, kneel or to pull itself up, the crib/cradle shall not be used anymore for this child."
- f) all assembly fitting should always be tightened properly and that care should be taken that no screws are loose, because a child could trap parts of the body or clothing (e.g., strings, necklaces, ribbons for babies dummies, etc.), which would pose a risk of strangulation;
- g) Not to use the body of a cradle without its frame;
- h) The thickness of the mattress chosen shall be such that the internal vertical height (surface of the top of the mattress to the upper edge of the bed sides) is at least 200 mm in the highest position of the bed base;
- i) Recommended bassinet pad 410mm wide by 800mm long and a maximum thickness of 25mm.
- j) Be aware of the risk of open fires and other sources of strong heat, such as electric bar fires, gas fires, etc. in the near vicinity of the crib/cradle;

FOR THE USA

(ASTM F2194-13 16CFR 1218)

WARNING: Failure to follow these warning and the instructions could result in serious injury or death.

To reduce the risk of SIDS, pediatricians recommend healthy infant be placed on their backs to sleep, unless otherwise advised by physician.

If a sheet is used with the pad, use only the one provide by the bassinet or cradle manufacturer or one specifically designed to fit the dimension of the bassinet or cradle mattress.

Strings can cause strangulation! Do not place items with a string around a child's neck, such as hood strings or pacifier cords. Do not suspend strings over a bassinet or cradle or attach strings to toys.

Please ensure the mattress used in this bassinet lower than the warning line.

Weight of the child for which the product is intended up to a maximum weight of 15 kgs.

Recommended bassinet pad 410mm wide by 800mm long and a maximum thickness of 25mm

FALL HAZARD:

To help prevent falls, do not use this product when the infant begins to push up on hands and knees or has reached weight of 15 kgs, whichever comes first.

SUFFOCATION HAZARD:
Infants have suffocated

In gaps between extra padding and side of the bassinet/cradle, and on sofa bedding.

Use Only the pad provided by manufacturer.

NEVER add a pillow, comforter, or another mattress for padding.