

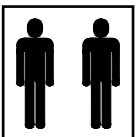
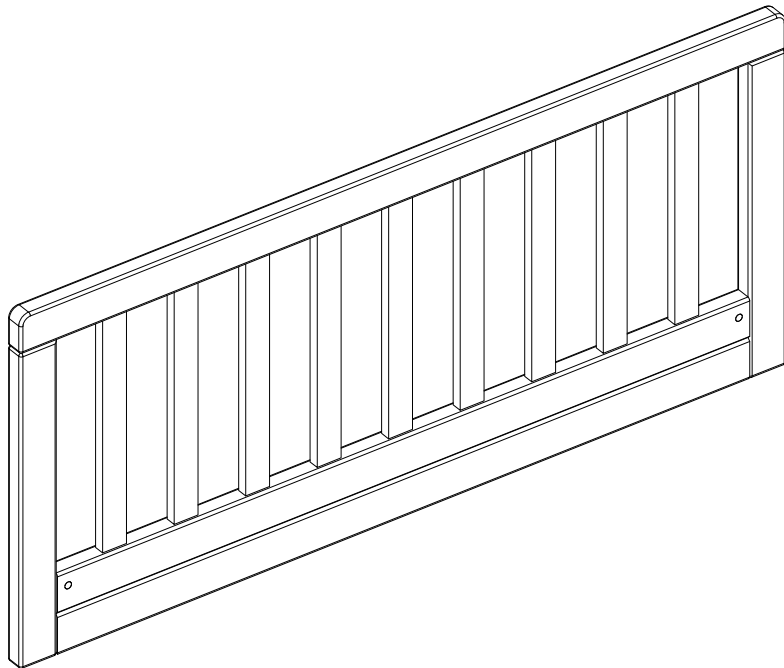
Boori

Universal



Toddler Guard Rail

转换型儿童床护栏



**IMPORTANT:
PLEASE READ THE INSTRUCTIONS CAREFULLY
AND KEEP FOR FUTURE REFERENCE**

重要：请仔细阅读此说明书，并妥善保管以便日后参考。

B-TGR

Boori Australia Pty Ltd
 18-20 Charles Street
 St. Marys Sydney NSW
 2760 Australia
 Tel: + 61 2 9833 3769
 Fax: + 61 2 9673 4240
 www.boori.com.au

Boori (Europe) Ltd
 Unit 1 Riverside House,
 Mill Lane, Newbury,
 Berkshire, RG 14 5QS UK
 Tel: + 44 016 3529 5670
 Fax: + 44 016 3587 7552
 www.boori.co.uk

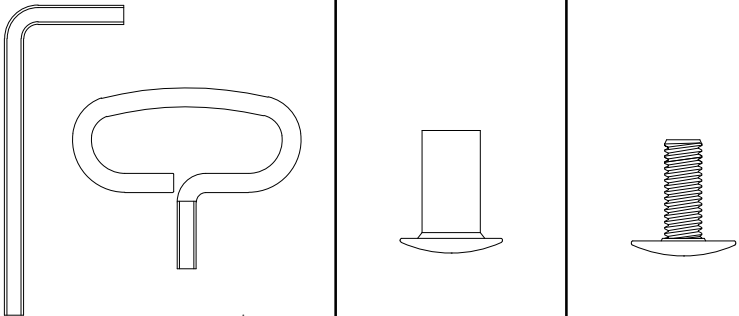
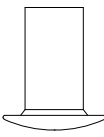
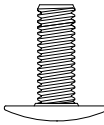
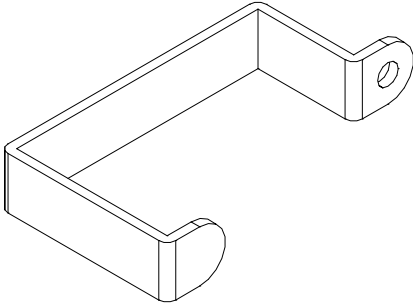
Halim & Boori Company
 10F, Halim INT'L B/D, #1674-4,
 Seocho-Dong, Seocho-Gu,
 Seoul, Korea
 Tel: + 82 2598 1470
 Fax: + 82 2583 8885
 E-mail : ted@boori.co.kr
 Postal code: 137-725.

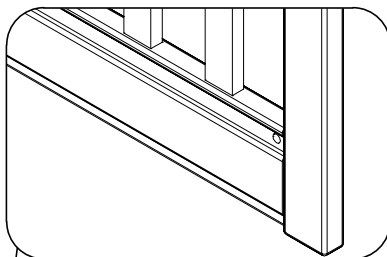
ブーリジャパン(株)
 〒541-0057
 日本国大阪府大阪市
 中央区北久宝寺町4-2-10
 Tel : + 06 4963 3939
 Fax : + 06 4963 3900
 E-mail : info@boori.co.jp

博瑞儿童用品(上海)有限公司
 上海市青浦区徐泾镇华徐公路577号
 VEG微格创意园A8-10室
 邮编: 201702
 电话: + 86 21 5296 6600
 传真: + 86 21 5296 6636
 网址: www.boori.com.cn

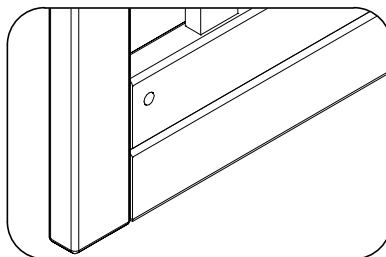
Instructions for Toddler Guard Rail (B-TGR)

Hardware /五金单

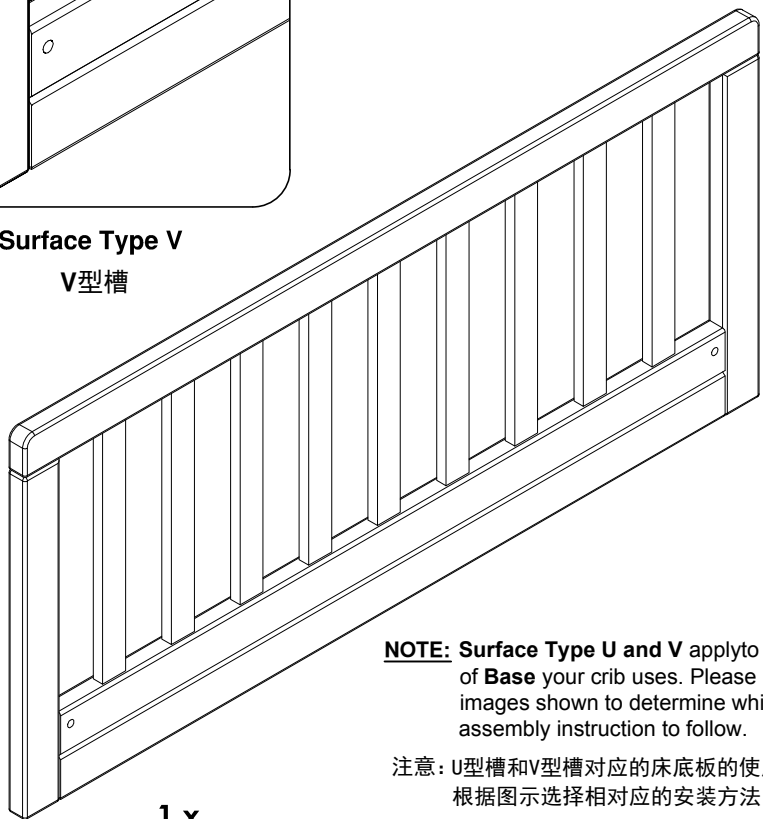
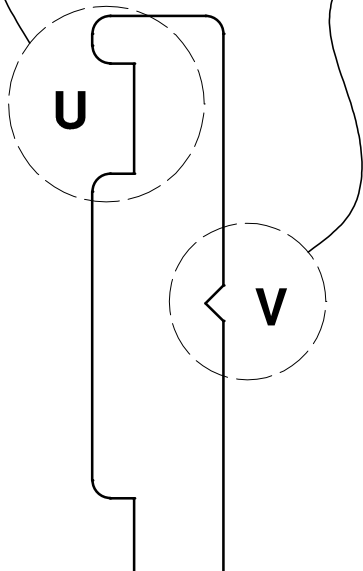
	AX2	BX2	CX2
			



Surface Type U
U型槽



Surface Type V
V型槽

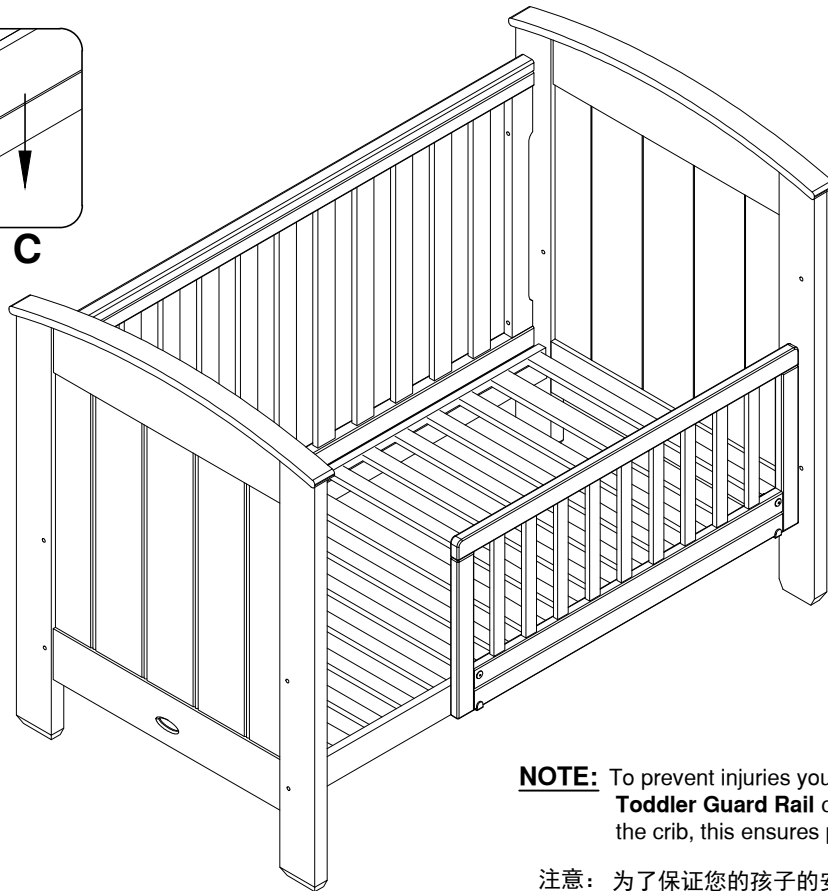
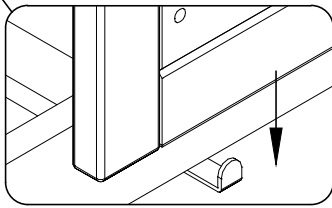
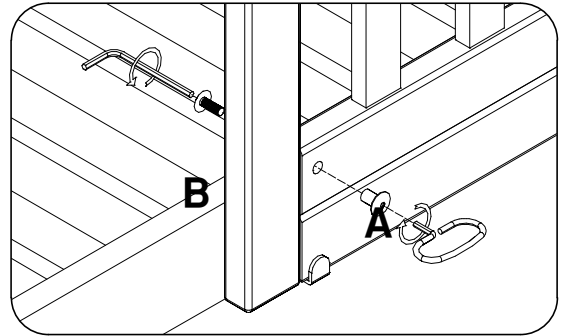
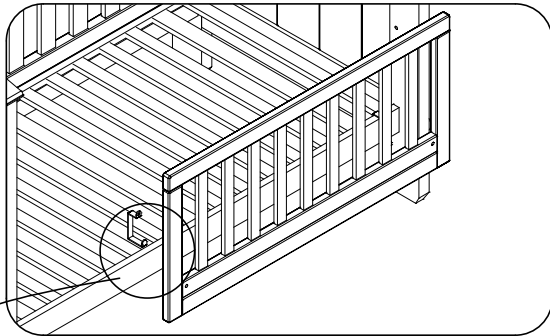
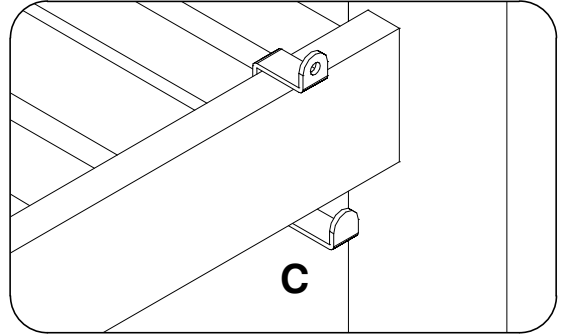
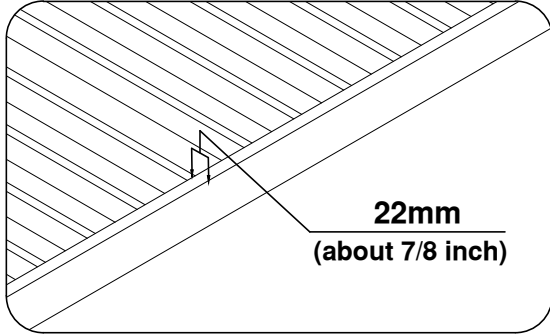


1 x
Toddler Guard Rail
小护栏

NOTE: Surface Type U and V apply to the type of Base your crib uses. Please refer to images shown to determine which assembly instruction to follow.

注意: U型槽和V型槽对应的床底板的使用类型, 根据图示选择相对应的安装方法

Assembly / 安装说明



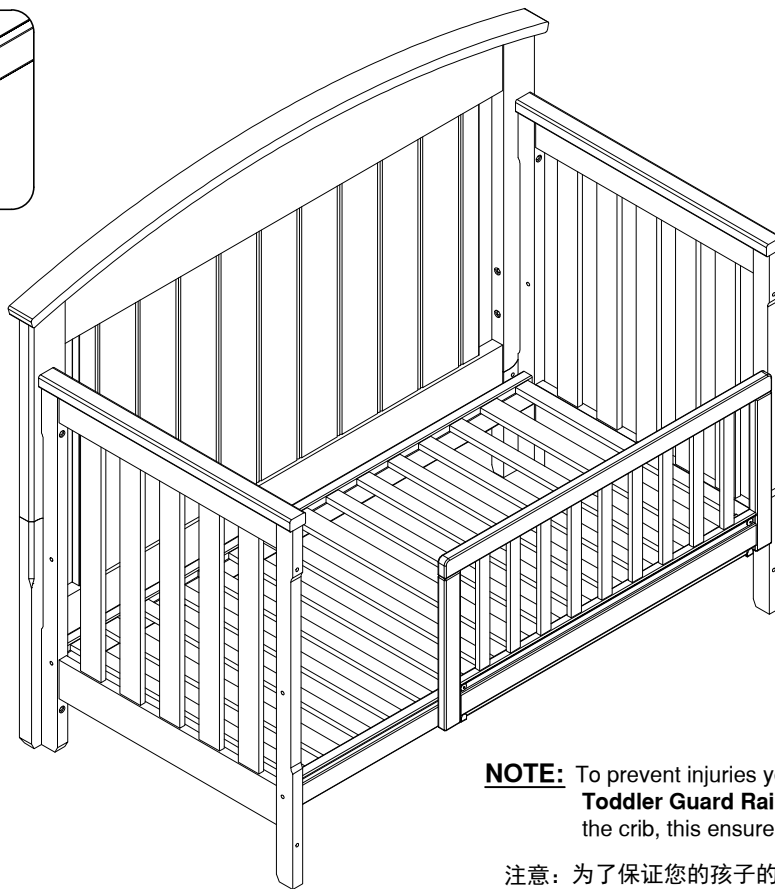
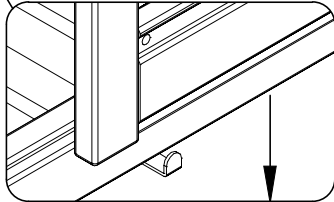
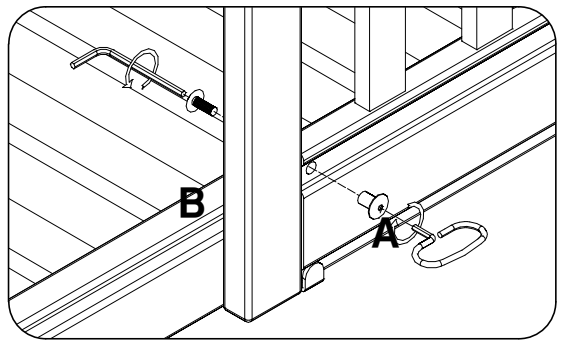
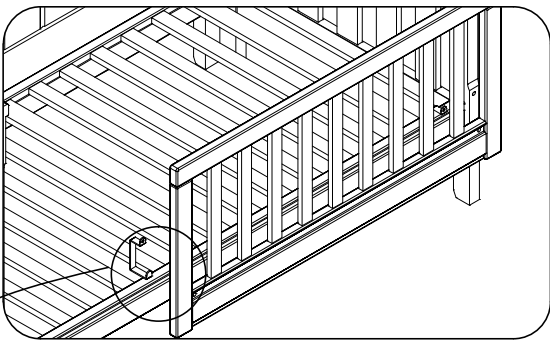
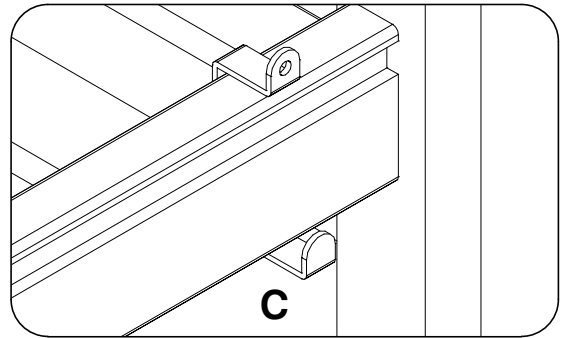
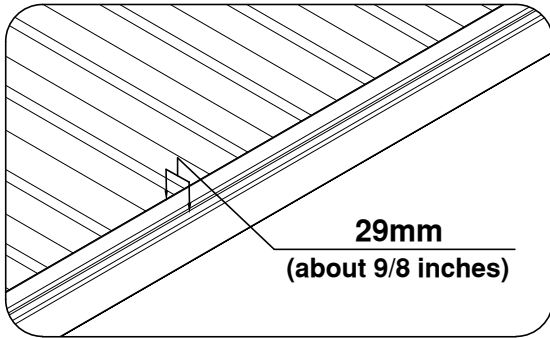
NOTE: To prevent injuries your children, place the **Toddler Guard Rail** close to one end of the crib, this ensures proper spacing.

注意：为了保证您的孩子的安全，请把小护栏固定在婴儿床的一端以确保安全的距离。

A x 2 B x 2 C x 2



Assembly / 安装说明



NOTE: To prevent injuries your children, place the **Toddler Guard Rail** close to one end of the crib, this ensures proper spacing.

注意：为了保证您的孩子的安全，请把小护栏固定在婴儿床的一端以确保安全的距离。

A x 2 B x 2 C x 2

