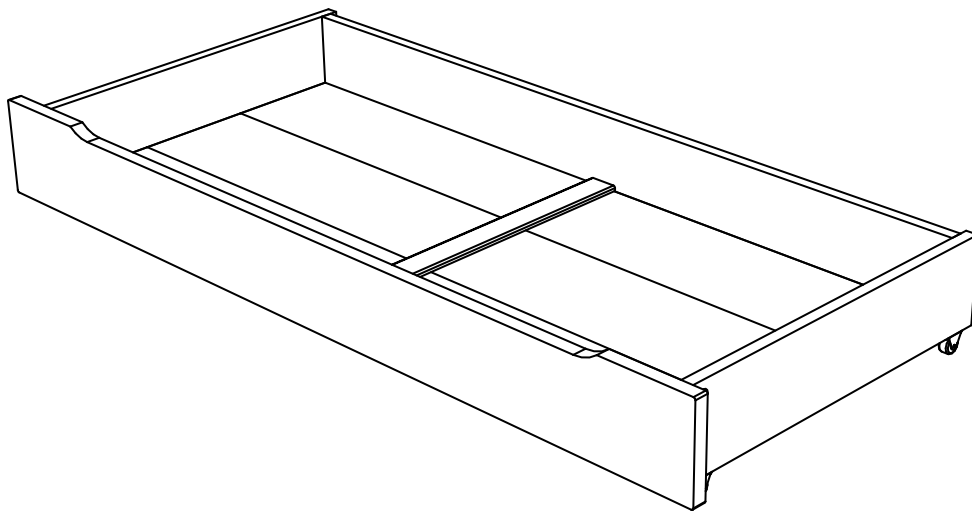


# Boori

## Universal



## Tidy Drawer



**IMPORTANT:  
PLEASE READ THE INSTRUCTIONS CAREFULLY  
AND KEEP FOR FUTURE REFERENCE**



**IMPORTANT:THE ASSEMBLY OF THIS PRODUCT REQUIRES TWO PEOPLE  
READ ALL INSTRUCTIONS BEFORE ASSEMBLY AND USE OF THE PRODUCT.**

Boori Australia Pty Ltd  
18-20 Charles Street  
St. Marys Sydney NSW  
2760 Australia  
Ph: 61 2 9833 3769  
Fax: 61 2 9673 4240  
www.boori.com.au



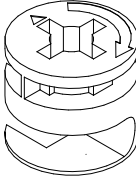
Boori (Europe) Ltd  
Unit 1,Transigo  
Gables Way  
Thatcham,Berkshire,  
RG19 4JZ  
Ph: (44) 016 3529 5670  
Fax: (44) 016 3587 7552  
www.boori.co.uk

Halim & Boori Company  
10F. Halim INT'L B/D, #1674-4,  
Seocho-Dong, Seocho-Gu,  
Seoul, Korea  
Tel: +82-2-598-1470  
Fax: +82-2-583-8885  
E-mail : ted@boori.co.kr  
Postal code: 137-725.

ブーリジャパン(株)  
〒541-0057  
日本国大阪府大阪市中央区北久  
宝寺町4-2-10  
Ph : 06-4963-3939  
Fax : 06-4963-3900  
E-mail : info@boori.co.jp

## Instructions for Boori Universal Tidy Drawer (B-TD)

### Hardware and Parts List

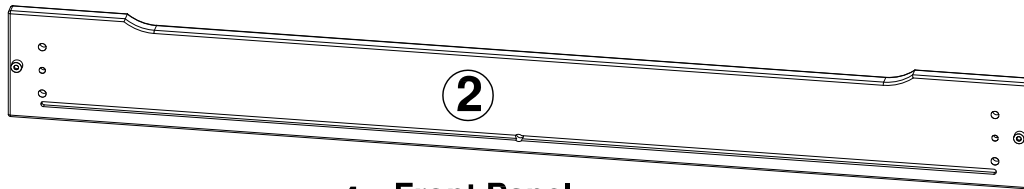
1 x Allen Key	10 x Connecting bolts	10 x Excenter fittings
	<b>A</b> 	<b>B</b> 

**NOTE:** Assemble the **TIDY DRAWER** with a phillips head screwdriver (**not supplied**).

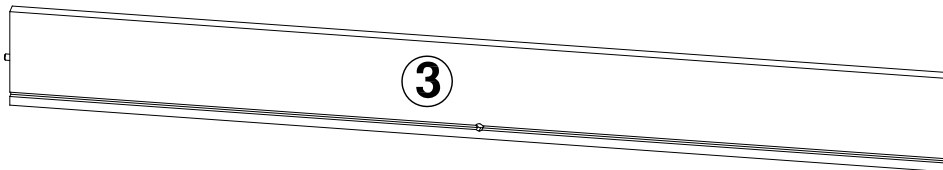
①



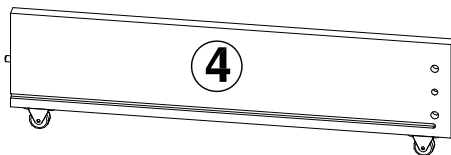
1 x Middle Base Board Support



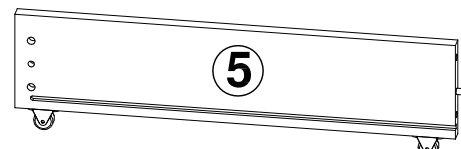
1 x Front Panel



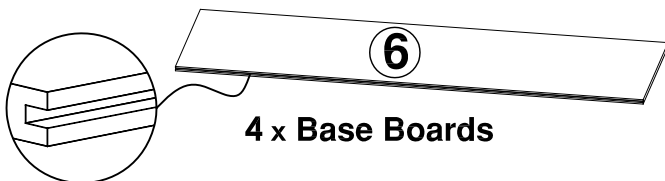
1 x Back Panel



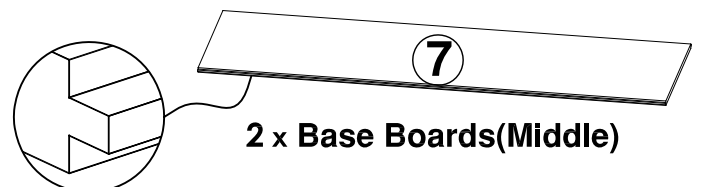
1 x Left Panel



1 x Right Panel



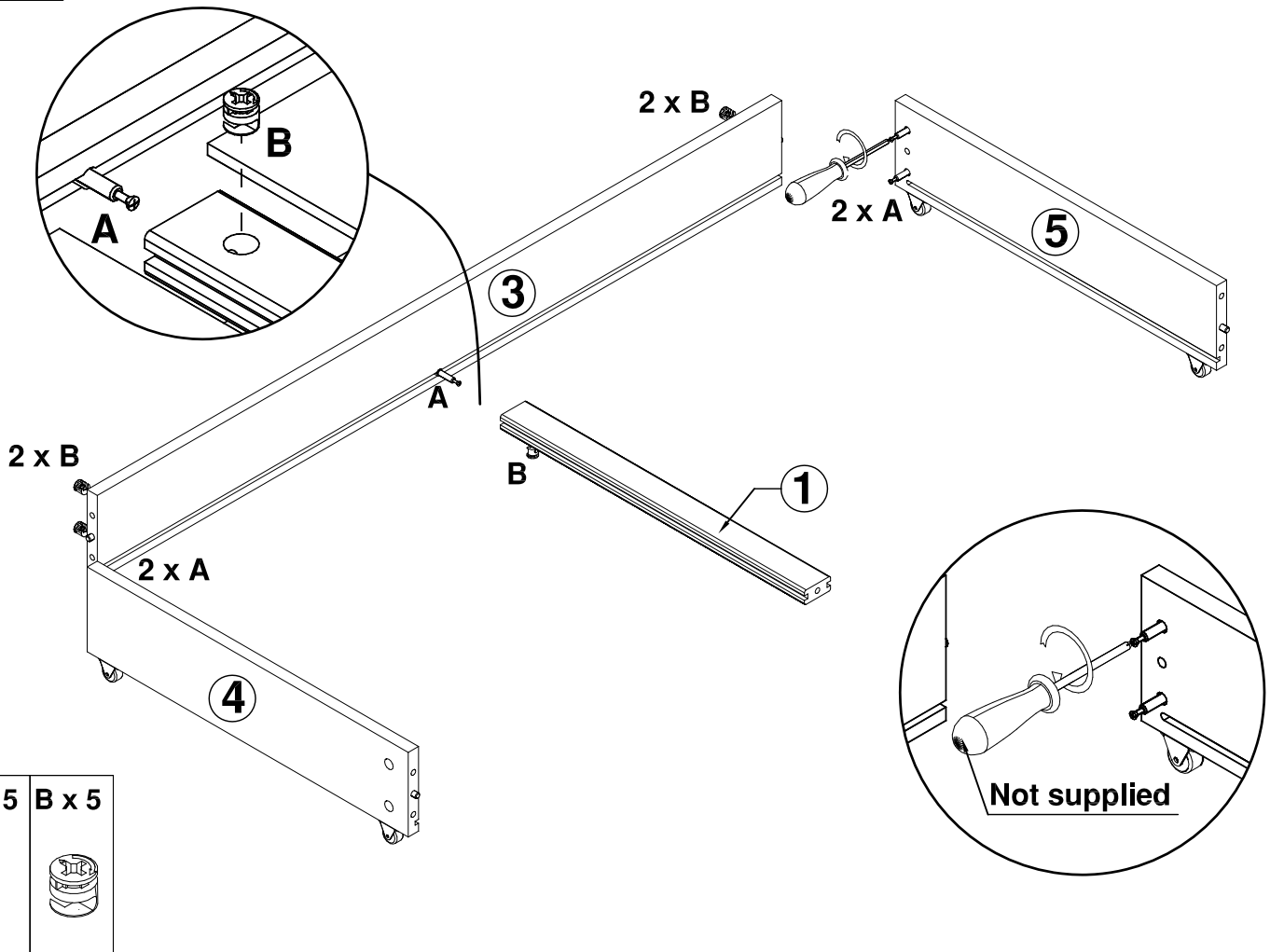
4 x Base Boards



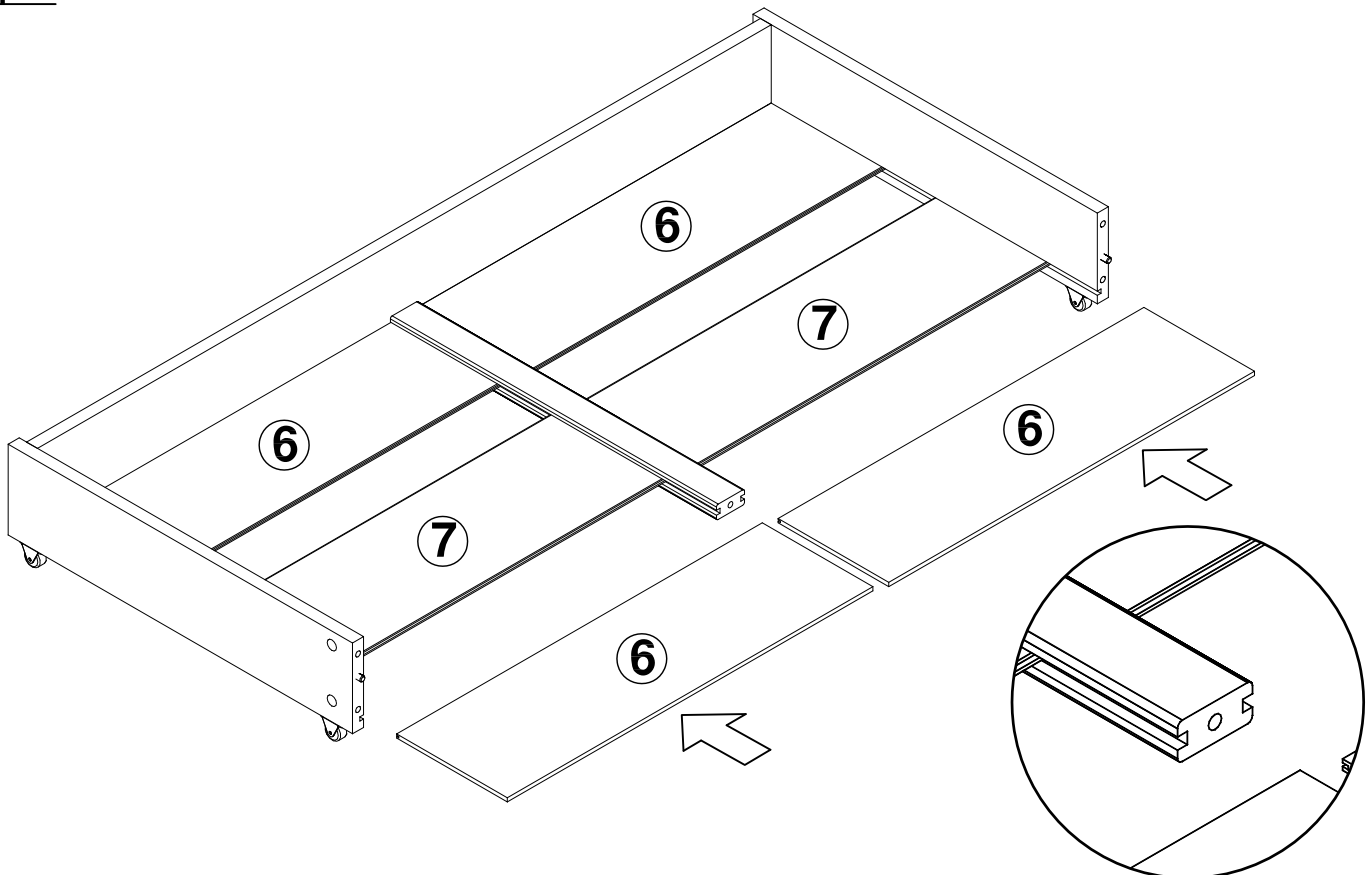
2 x Base Boards(Middle)

# ASSEMBLY INSTRUCTIONS

## Step 1:

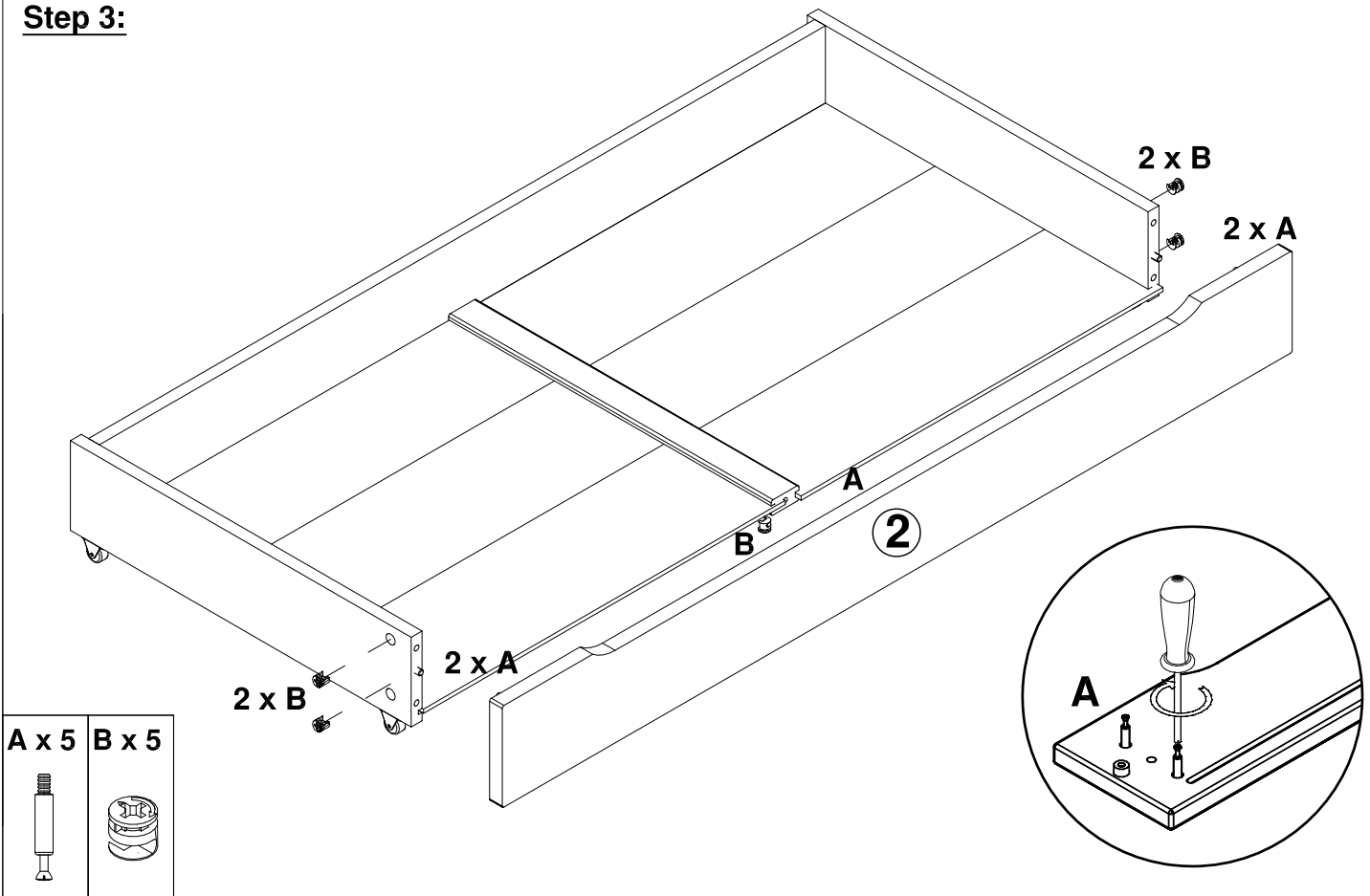


## Step 2:

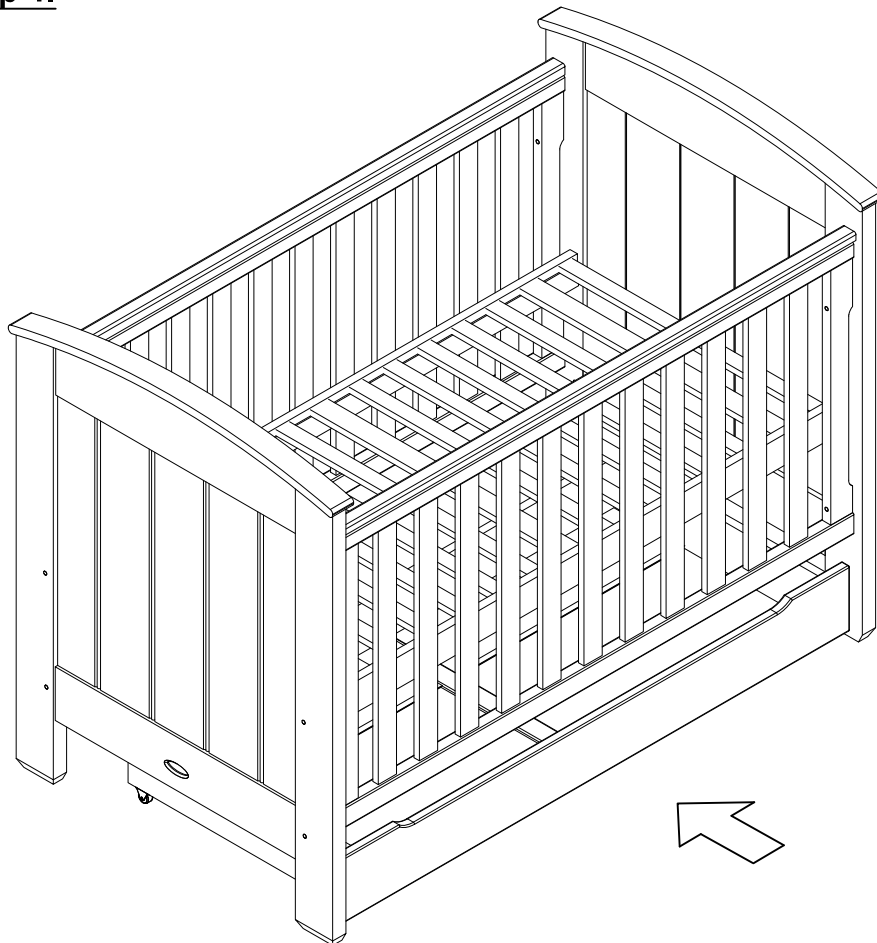


# ASSEMBLY INSTRUCTIONS

## Step 3:



## Step 4:



**NOTE:** When not in use, please push the tidy drawer under your cot/bed.

