

Boori

Sleigh



Wardrobe



**IMPORTANT:
PLEASE READ THE INSTRUCTIONS CAREFULLY
AND KEEP FOR FUTURE REFERENCE**



**IMPORTANT: THE ASSEMBLY OF THIS PRODUCT REQUIRES TWO PEOPLE
READ ALL INSTRUCTIONS BEFORE ASSEMBLY AND USE OF THE PRODUCT.**

Boori Australia Pty Ltd
18-20 Charles Street
St. Marys Sydney
NSW 2760 Australia
Ph: 61 2 9833 3769
Fax: 61 2 9673 4240
www.boori.com.au

Boori (Europe) Ltd
Unit 1, Transigo
Gables Way
Thatcham, Berkshire,
RG19 4JZ
Ph: (44) 016 3529 5670
Fax: (44) 016 3587 7552
www.boori.co.uk

Halim & Boori Company
10F. Halim INT'L B/D,
#1674-4, Seocho-Dong,
Seocho-Gu, Seoul, Korea
Tel: +82-2-598-1470
Fax: +82-2-583-8885
E-mail: ted@boori.co.kr
Postal code: 137-725.

ブーリジャパン(株)
〒541-0057 日本大阪府
大阪市中央区北久宝寺
町4-2-10
Ph: 06-4963-3939
Fax: 06-4963-3900
E-mail: info@boori.co.jp

Instructions for Boori Sleigh Wardrobe (B-SLWR)

Hardware and Parts List

1 x Allen Key	4 x Connecting bolts	4 x Excenter fittings	2 x Steel dowels	2 x Wardrobe rail supports	2 x 30mm Connecting bolts	1 x M5*16mm Connecting bolts	13 x M6*60mm Connecting bolts
	A 	B 	C 	D 	E 	F 	G
16 x 16mm Self tapping screws	4 x Crescent washers	4 x Mounting plates	4 x Concealed hinges	1 x Wall strap		Actual size	Actual size
H 	I 	J 	K 	L 			

1 x Top Panel

1 x Left Side Panel

1 x Right Side Panel

2 x Doors

2 x Back Panels

1 x Fixed Shelf

2 x Backboard Ends

1 x Wardrobe Rail

1 x Headboard Top End

1 x H-section

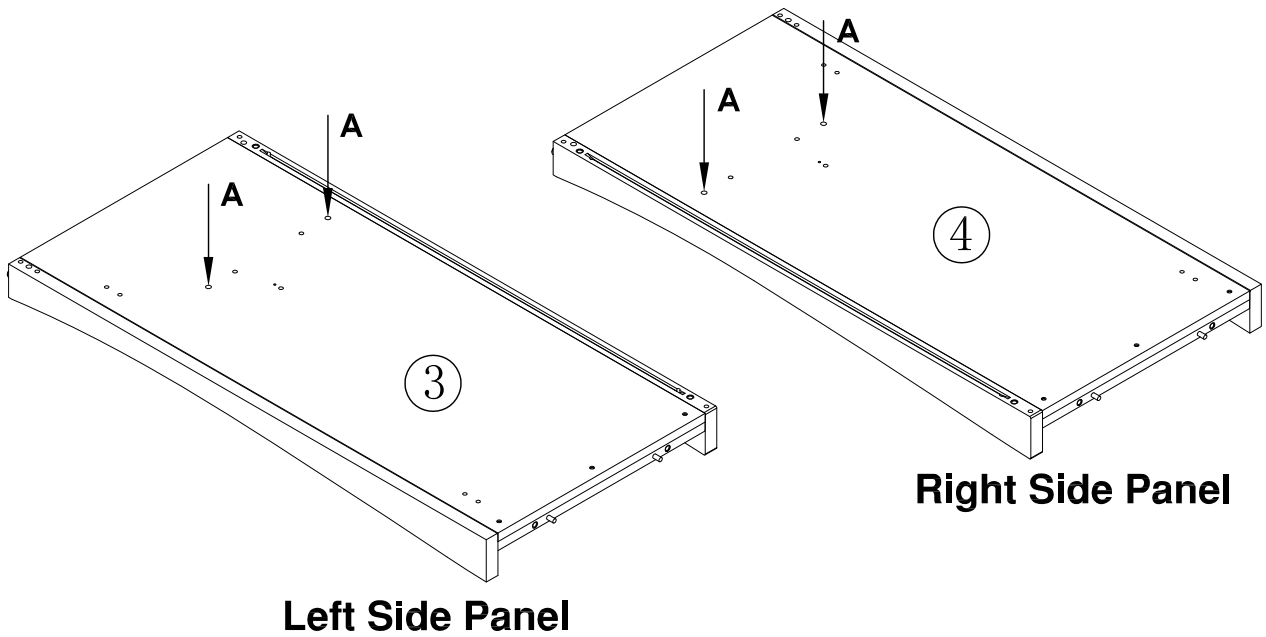
**1 x
Drawer Cabinet**

**2 x
Wooden
Handles**

NOTE: Use only spare parts approved by the manufacturer.

ASSEMBLY INSTRUCTIONS

Step 1: Screw 4 x **A** connecting bolts firmly into the **Side Panels**.



A x 4

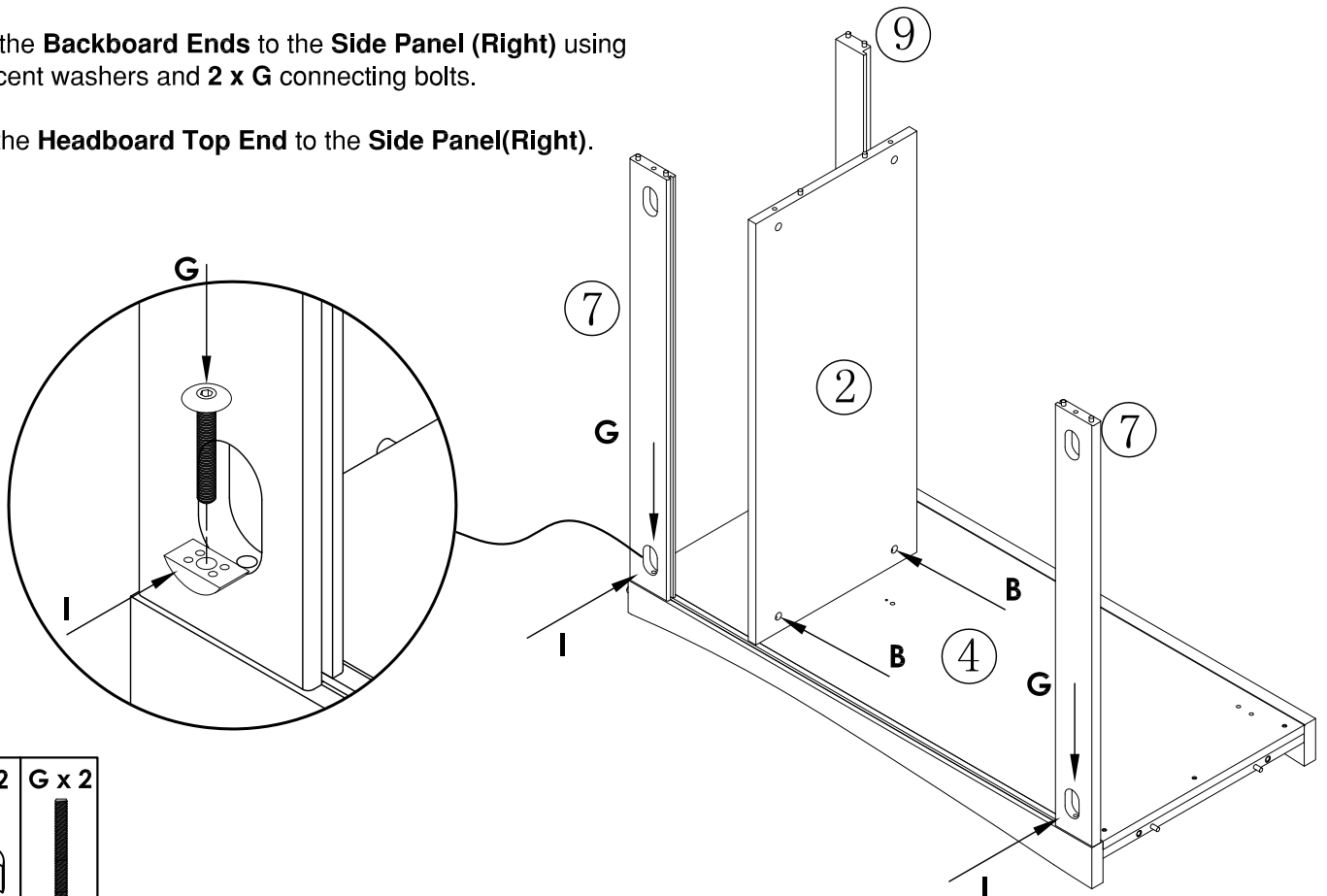


Step 2:

A: Attach the **Fixed Shelf** to the **Side Panel(Right)** using **2 x B** excenter fittings.

B: Attach the **Backboard Ends** to the **Side Panel (Right)** using **2 x I** crescent washers and **2 x G** connecting bolts.

C: Attach the **Headboard Top End** to the **Side Panel(Right)**.



B x 2

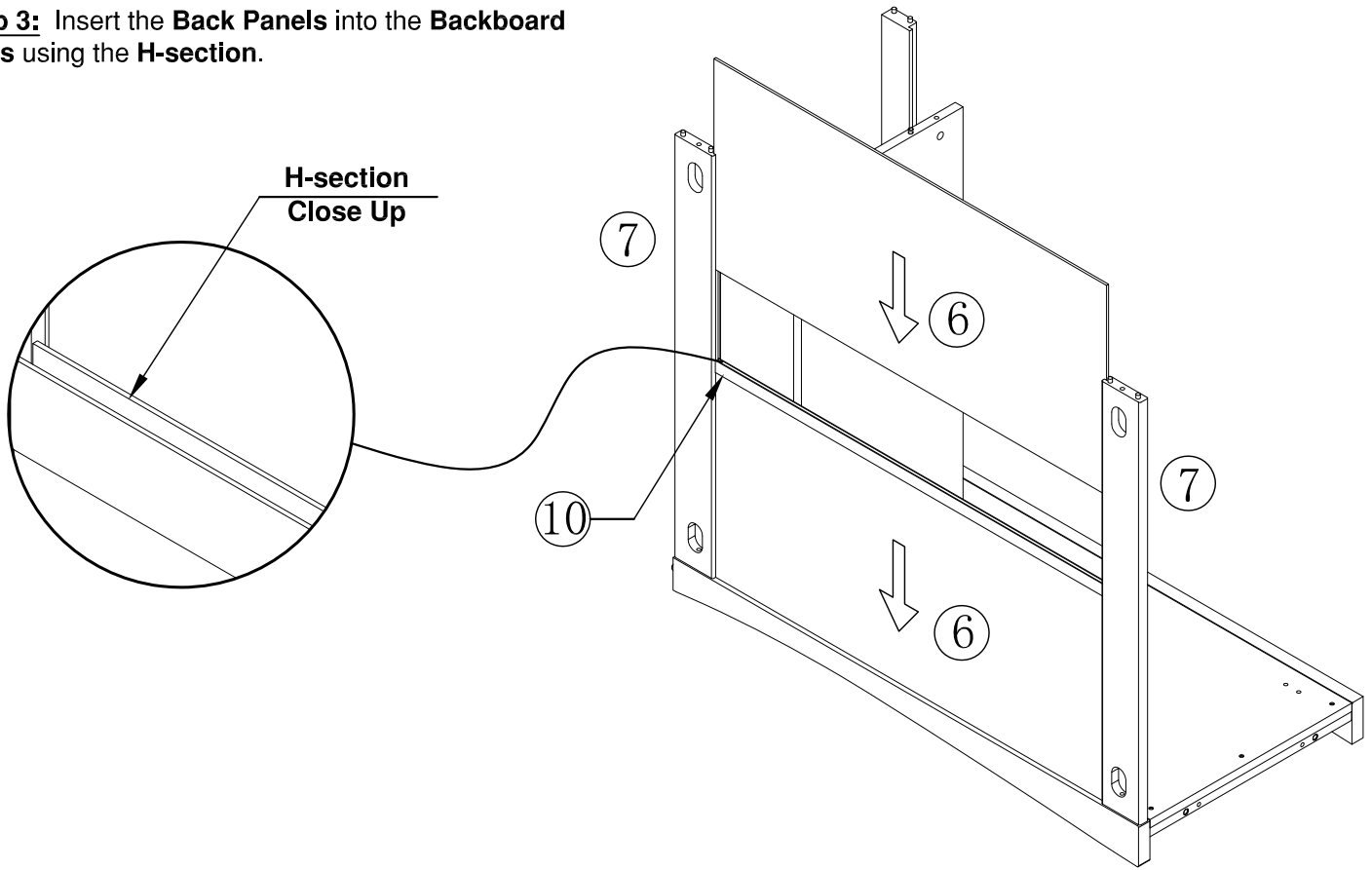
I x 2

G x 2



ASSEMBLY INSTRUCTIONS

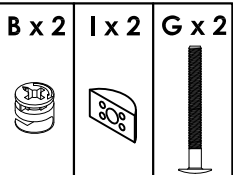
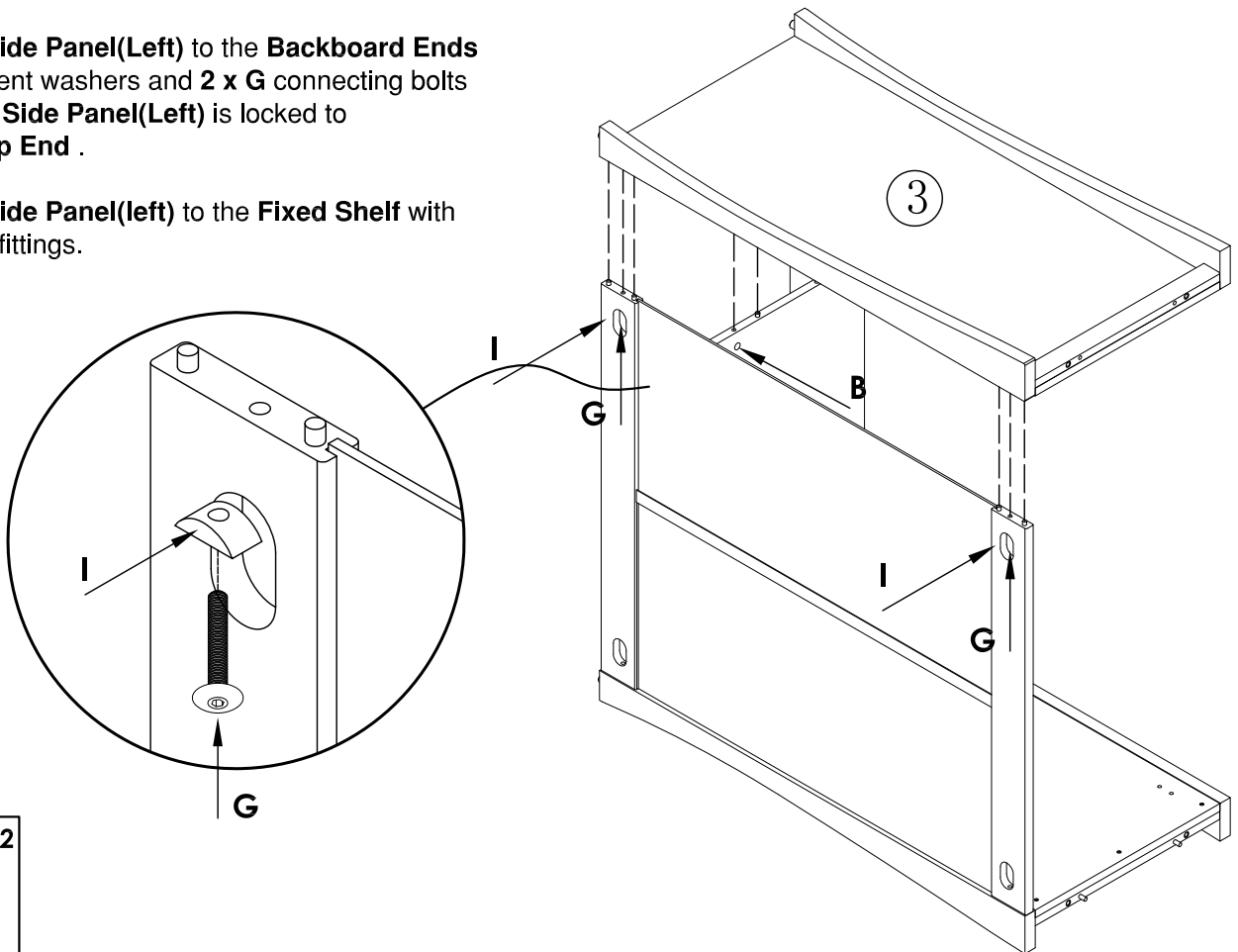
Step 3: Insert the **Back Panels** into the **Backboard Ends** using the **H-section**.



Step 4: Attach the **Side Panel(Left)**

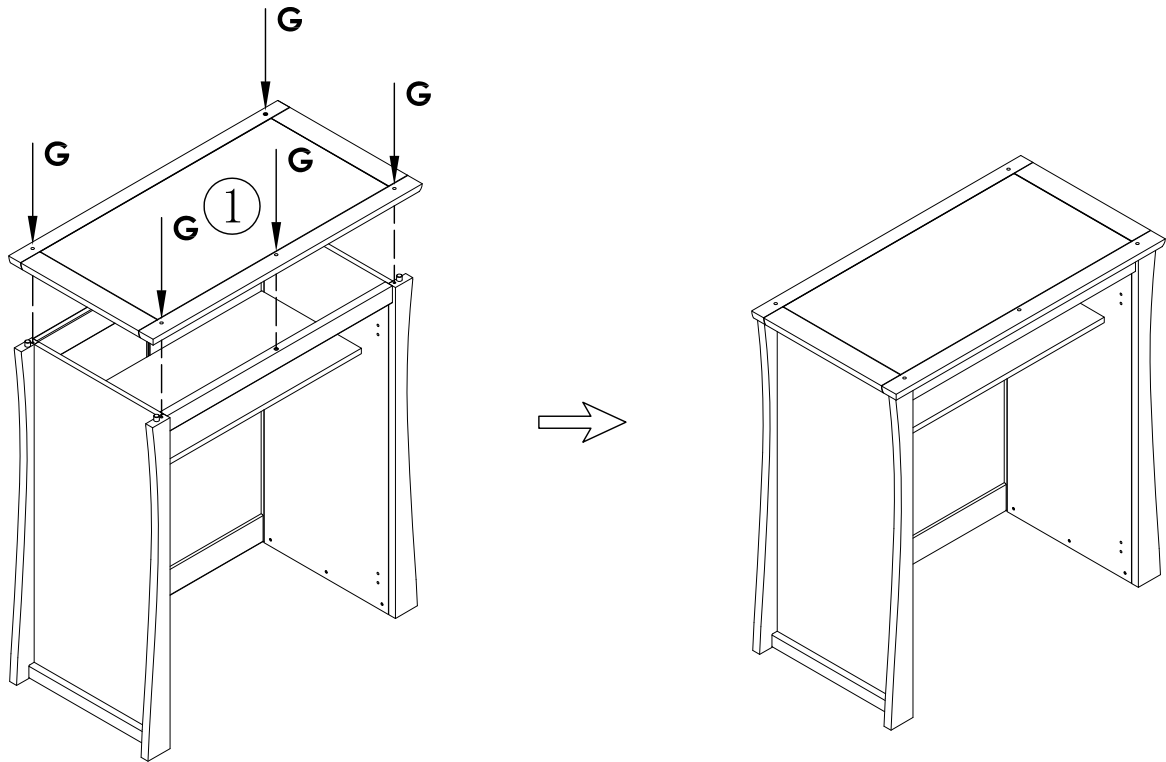
A: Attach the **Side Panel(Left)** to the **Backboard Ends** with **2 x I** crescent washers and **2 x G** connecting bolts and ensure the **Side Panel(Left)** is locked to **Headboard Top End**.

B: Attach the **Side Panel(left)** to the **Fixed Shelf** with **2 x B** excenter fittings.



ASSEMBLY INSTRUCTIONS

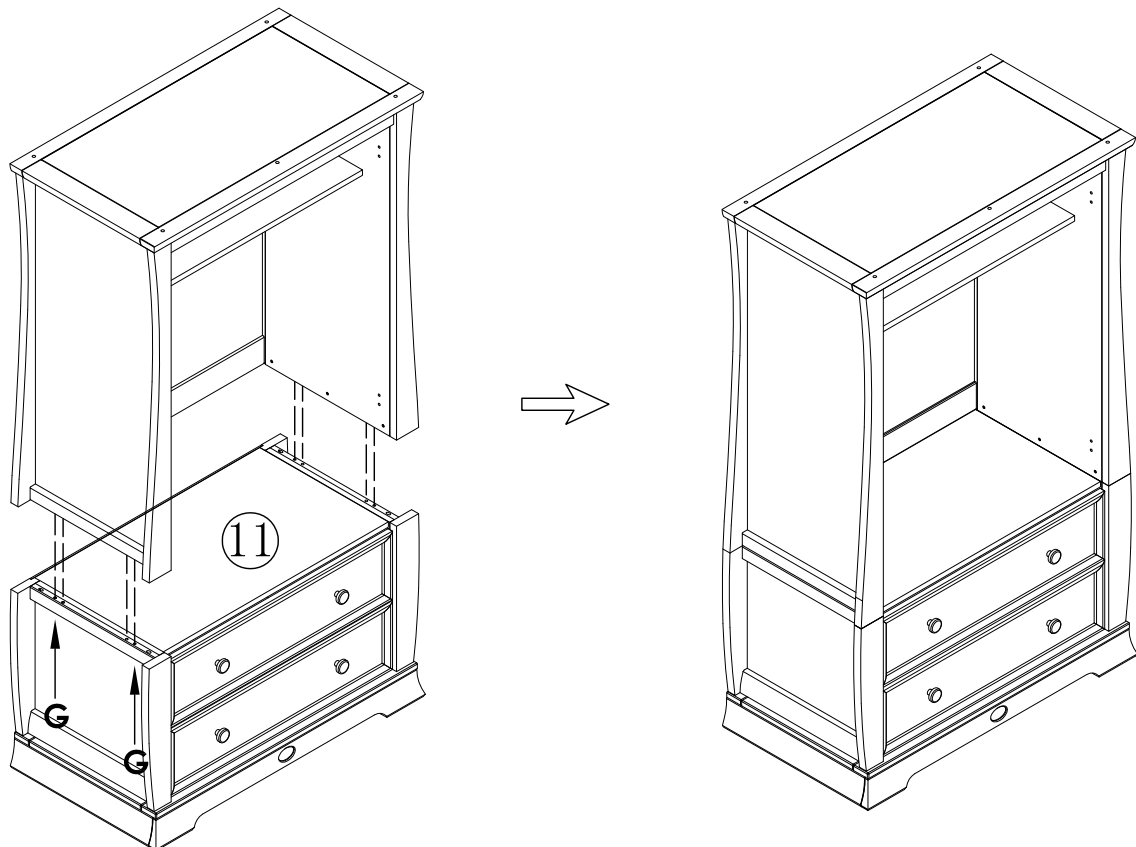
Step 5: Attach the **Top Panel** using 5 x G connecting bolts.



G x 5



Step 6: Attach the **Drawer Cabinet** using 4 x G connecting bolts.

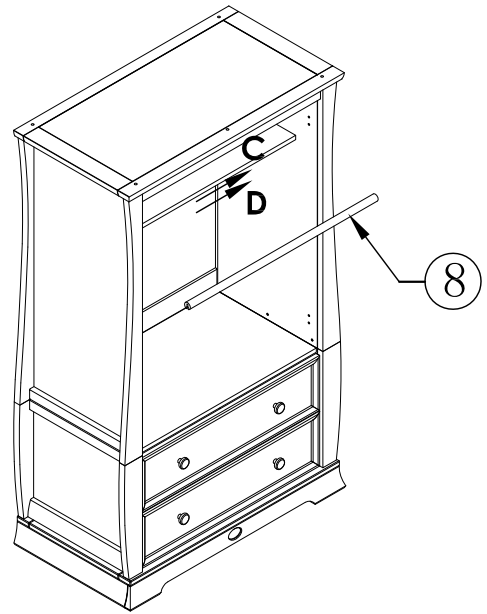
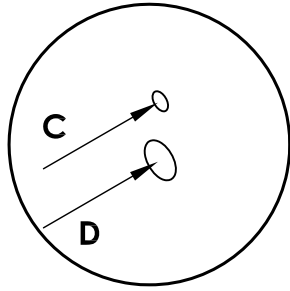


G x 4

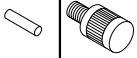


ASSEMBLY INSTRUCTIONS

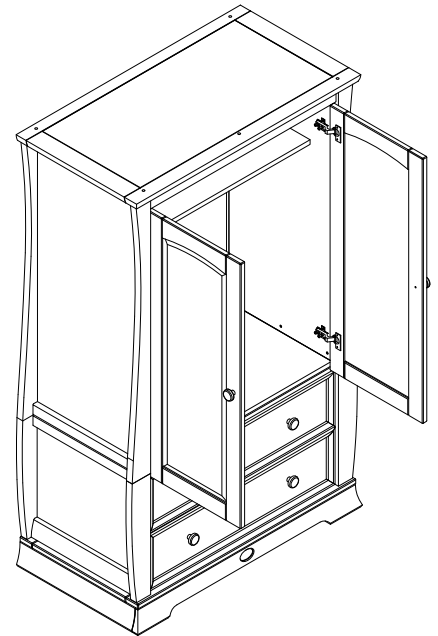
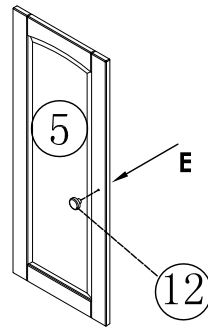
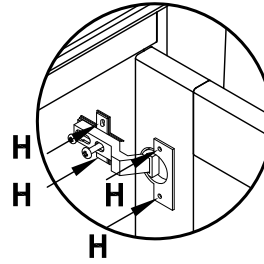
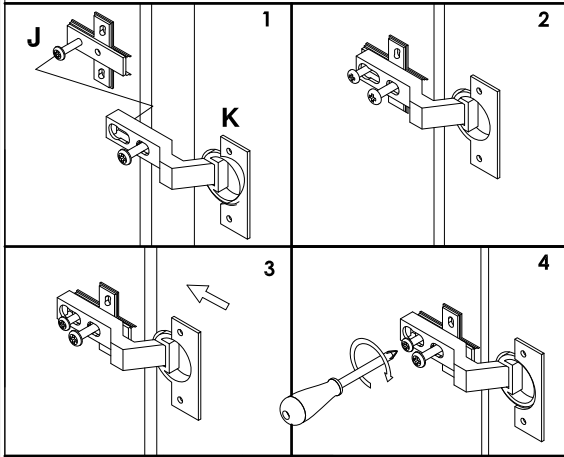
Step 7: Attach the **Wardrobe Rail**.



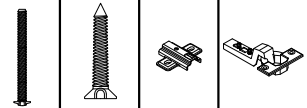
C x 2 D x 2



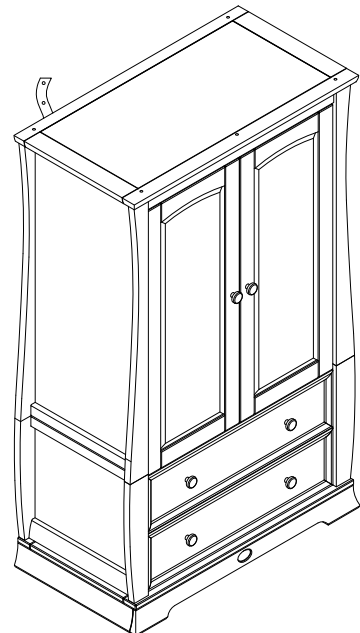
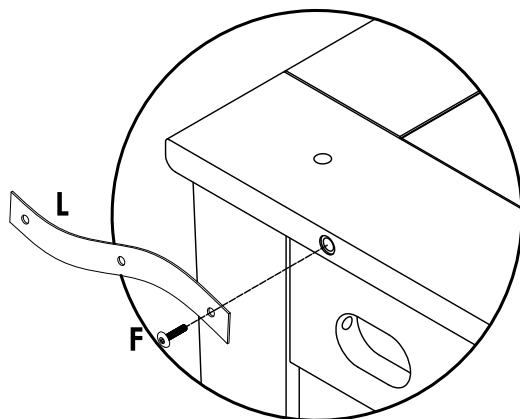
Step 8: Attach the **Doors**.



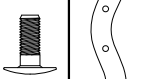
E x 2 H x 16 J x 4 K x 4



Step 9: Attach **wall strap** using 1 x F connecting bolts.

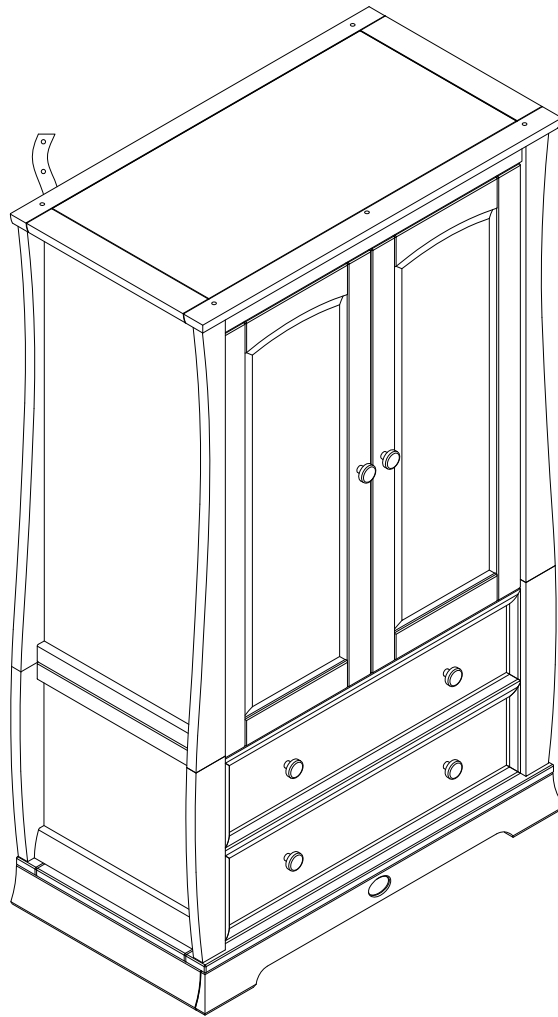


F x 1 L x 1



ASSEMBLY INSTRUCTIONS

Step 10: Fix to the wall.



⚠ Place the assembled furniture adjacent to the wall and fix to the wall using the appropriate fittings for that wall type. If you are in any doubt about the correct type of fittings to use please seek professional advice.

Maintenance of your Boori Furniture

- * TO CLEAN YOUR FURNITURE USE A SOFT CLOTH DAMPENED WITH WATER
- * DO NOT USE STRONG HOUSEHOLD CLEANERS
- * AVOID CONTACT WITH SHARP OBJECTS
- * WHEN MOVING YOUR FURNITURE DO NOT DRAG, ALWAYS LIFT AND PLACE IN POSITION