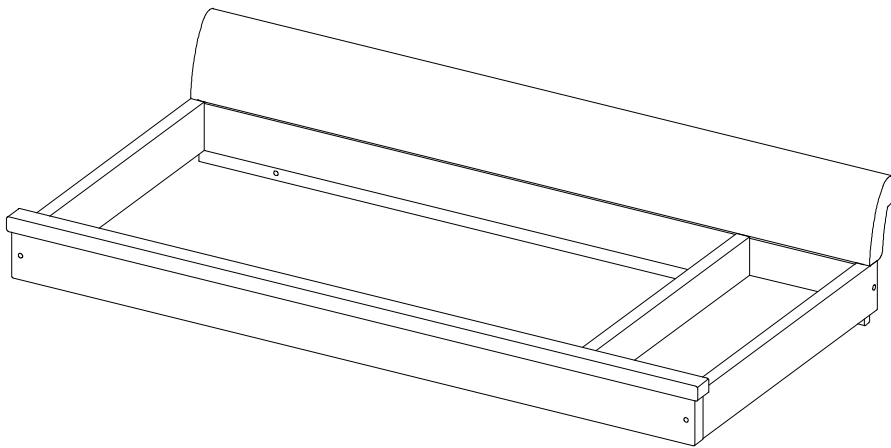


Boori

Universal

Sleigh Changing Station
for 3 Drawer Dresser



IMPORTANT:

**PLEASE READ THE INSTRUCTIONS CAREFULLY
AND KEEP FOR FUTURE REFERENCE**



**IMPORTANT:THE ASSEMBLY OF THIS PRODUCT REQUIRES TWO PEOPLE
READ ALL INSTRUCTIONS BEFORE ASSEMBLY AND USE OF THE PRODUCT.**

Boori Australia Pty Ltd
18-20 Charles Street
St. Marys Sydney NSW
2760 Australia
Ph: 61 2 9833 3769
Fax: 61 2 9673 4240
www.boori.com.au

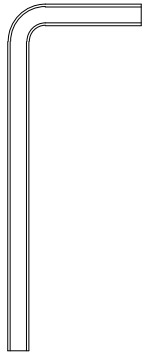

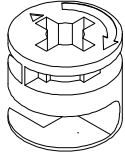


Boori (Europe) Ltd
Unit 1,Transigo
Gables Way
Thatcham,Berkshire,
RG19 4 JZ
Ph: (44) 016 3529 5670
Fax: (44) 016 3587 7552
www.boori.co.uk

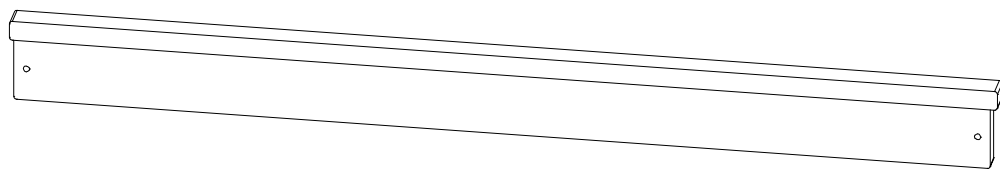
Halim & Boori Company 10F.
Halim INT'L B/D, #1674-4,
Seocho-Dong, Seocho-Gu,
Seoul, Korea
Tel: +82-2-598-1470
Fax: +82-2-583-8885
E-mail : ted@boori.co.kr
Postal code: 137-725.

ブーリジャパン(株)
〒541-0057
大阪府大阪市中央区北久宝寺町
4-2-10
Ph : 06-4963-3939
Fax : 06-4963-3900
E-mail : info@boori.co.jp

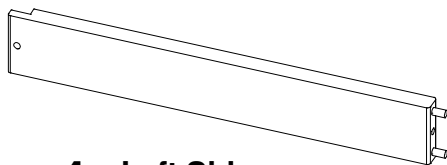
Instructions for Boori Sleigh Changing Station for 3 Drawer Dresser (B-SLCS3D)

Hardware and Parts List

1 x Allen Key	2 x Connecting bolts	2 x Excenter fittings	4 x M5*25mm Connecting bolts	2 x M5*44mm Connecting bolts
A 	B 	C 	D 	E 
			Actual size	Actual size

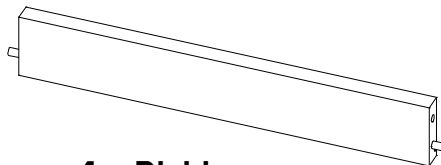


① 1 x Front



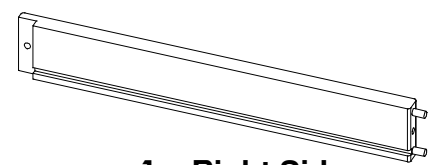
1 x Left Side

②



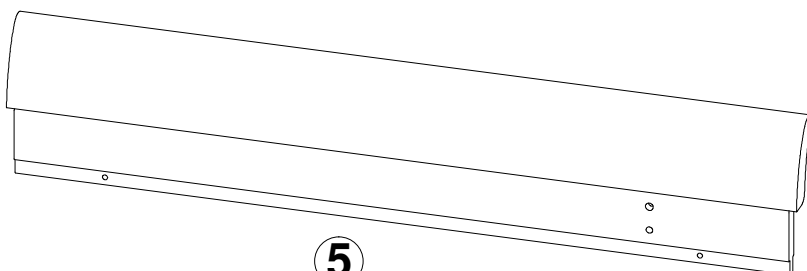
1 x Divider

③

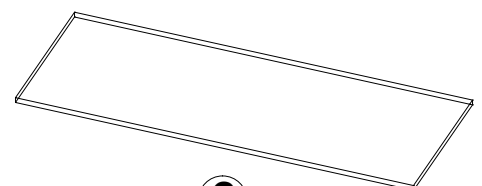


1 x Right Side

④



**⑤
1 x Back**

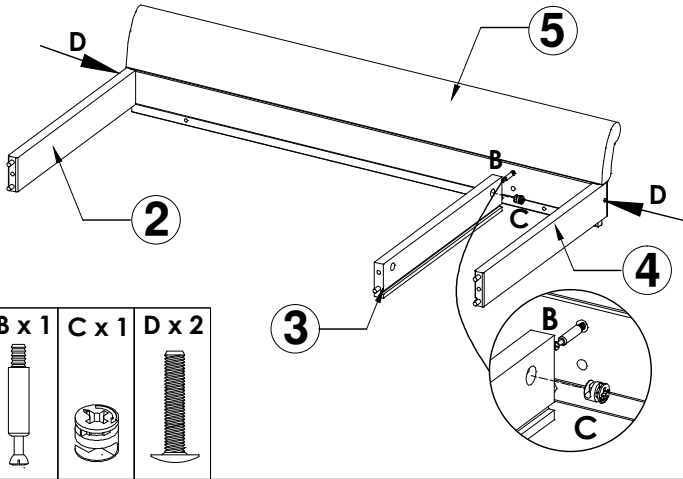


**⑥
1 x Base**

ASSEMBLY INSTRUCTIONS

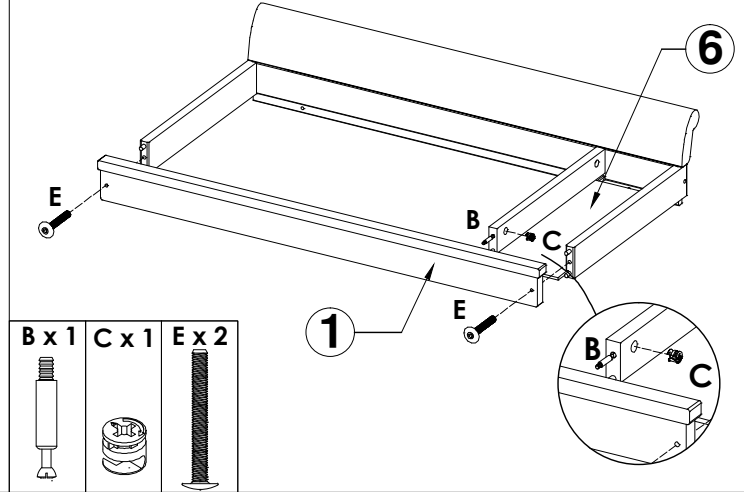
Step 1:

- 1) Attach the **Left Side** ② and the **Right Side** ④ to the **Back** ⑤ using **2 x D** connecting bolts.
- 2) Attach the **Divider** ③ to the **Back** ⑤ with **1 x B** connecting bolt and **1 x C** excenter fitting.



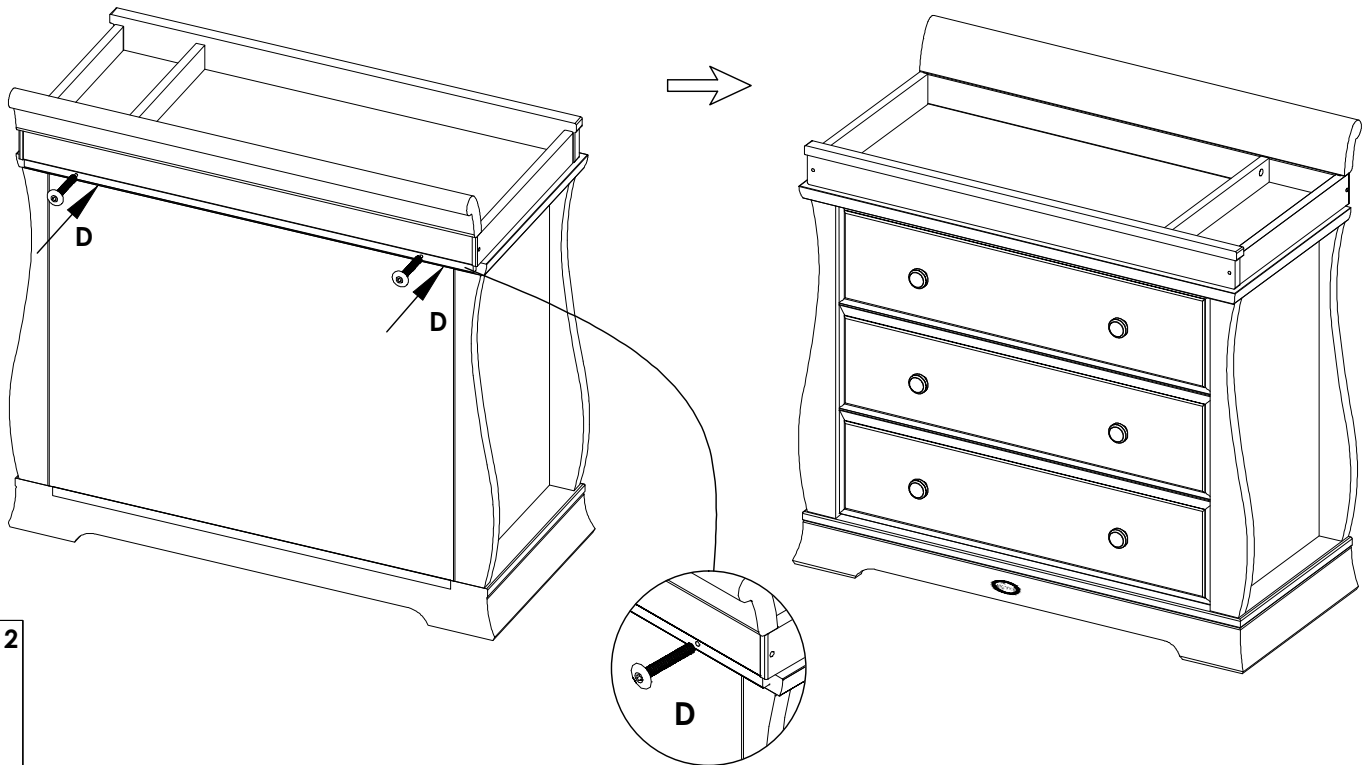
Step 2:

- 1) Slide the **Base** ⑥ into the grooves on the **Right Side** ④ and the **Divider** ③.
- 2) Attach the **Front** ① with **2 x E** connecting bolts and **1 x B** connecting bolt and **1 x C** excenter fitting.



Step 3:

Attach the **Back** ⑤ to the back of drawer chest with **2 x D** connecting bolts.



Maintenance of your Boori Furniture

- * TO ENSURE THE SAFETY OF YOUR CRIB BED OR CHANGING STATION, REGULARLY CHECK ALL THE CONNECTING BOLTS AND GLIDE PINS MAKING SURE THEY ARE TIGHT; CARE SHOULD BE TAKEN THAT NO SCREWS ARE LOOSE
- * GLIDE PINS AND BOLTS SHOULD BE TIGHTENED EVERY FOUR TO SIX MONTHS TO ENSURE CRIB/FURNITURE REMAINS STABLE
- * TO CLEAN YOUR CRIB OR FURNITURE USE A SOFT CLOTH DAMPENED WITH WATER
- * DO NOT USE STRONG HOUSEHOLD CLEANERS
- * AVOID CONTACT WITH SHARP OBJECTS
- * WHEN MOVING YOUR CRIB BED OR FURNITURE DO NOT DRAG, ALWAYS LIFT AND PLACE IN POSITION