

Boori

Noosa



Cot bed



**IMPORTANT:
PLEASE READ THE INSTRUCTIONS CAREFULLY
AND KEEP FOR FUTURE REFERENCE**

Boori Australia Pty Ltd
 18-20 Charles Street
 St. Marys Sydney NSW
 2760 Australia
 Tel: +61 2 9833 3769
 Fax: +61 2 9673 4240
 www.boori.com.au

Boori (Europe) Ltd
 Unit 1 Riverside House,
 Mill Lane, Newbury,
 Berkshire, RG 14 5QS UK
 Tel: +44 016 3529 5670
 Fax: +44 016 3587 7552
 www.boori.co.uk

Halim & Boori Company
 10F. Halim INT'L B/D, #1674-4,
 Seocho-Dong, Seocho-Gu,
 Seoul, Korea
 Tel: +82 2598 1470
 Fax: +82 2583 8885
 E-mail : ted@boori.co.kr
 Postal code: 137-725.

ブーリジャパン株式会社
 〒141-0031
 東京都品川区西五反田
 7-22-17 TOCビル5F
 TEL:03-6420-0024
 EMAIL: info@boori.co.jp
 HP: www.boori.jp

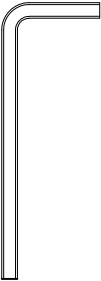
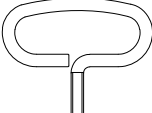

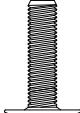
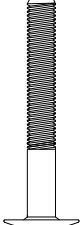
上海薇奈莎商贸有限公司
 上海市青浦区徐泾镇华徐公路577号
 VEG微格创意园A8-10室
 邮编: 201702
 电话: +86 21 5296 6600
 传真: +86 21 5296 6636
 网址: www.boori.com.cn

Instructions for Noosa Cot bed(B-NOCB)

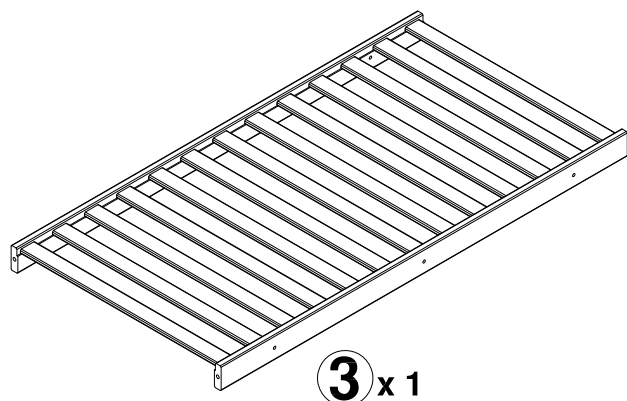
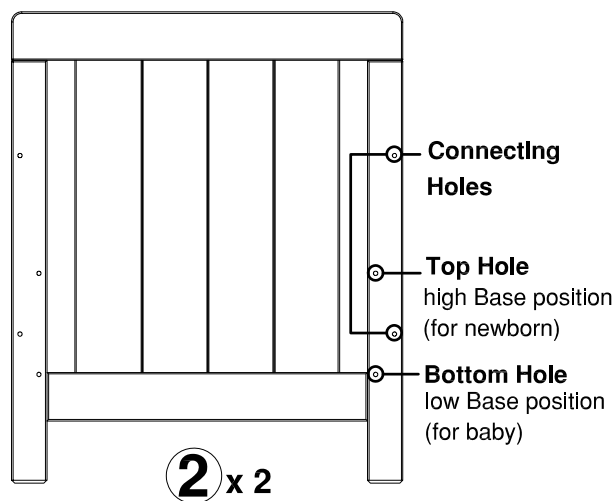
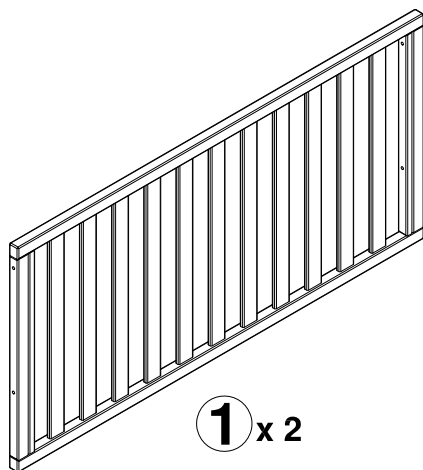
Dimensions (External): 1388*774*932mm
 (Internal): 1330*712mm

Main Materials: Australia Araucaria

Hardware

A x 1	B x 1	C x 4	D x 8	E x 12
				
		M6 x 14mm	M6 x 23mm	M6 x 70mm

Parts List

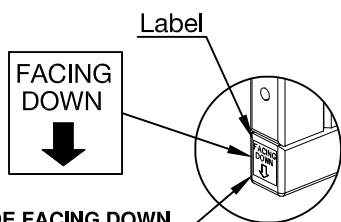


NOTE: Use only spare parts approved by the manufacturer.

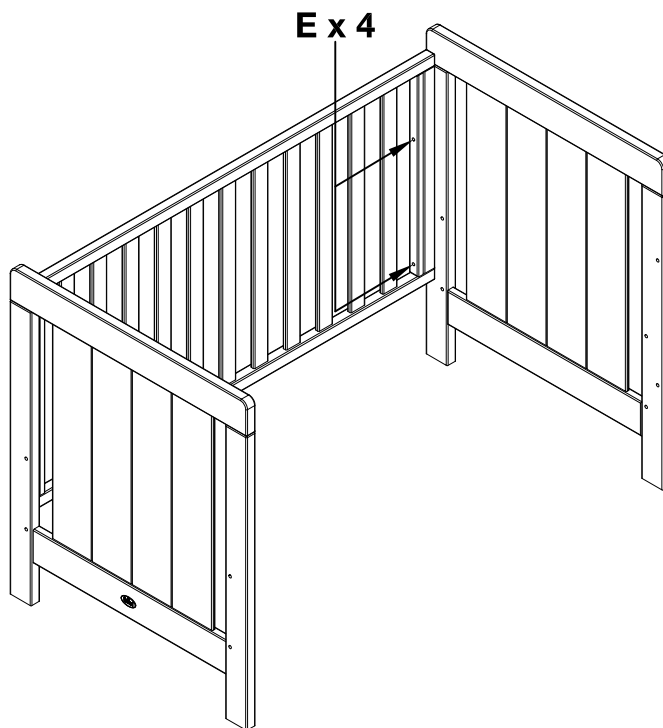
Assembly

1

Step1: Attach one Fixed Side Panel
connect one Fixed Side Panel to the two End Panel with the 4 x E (70mm) connecting bolts provided.(Do not tighten at this step.)



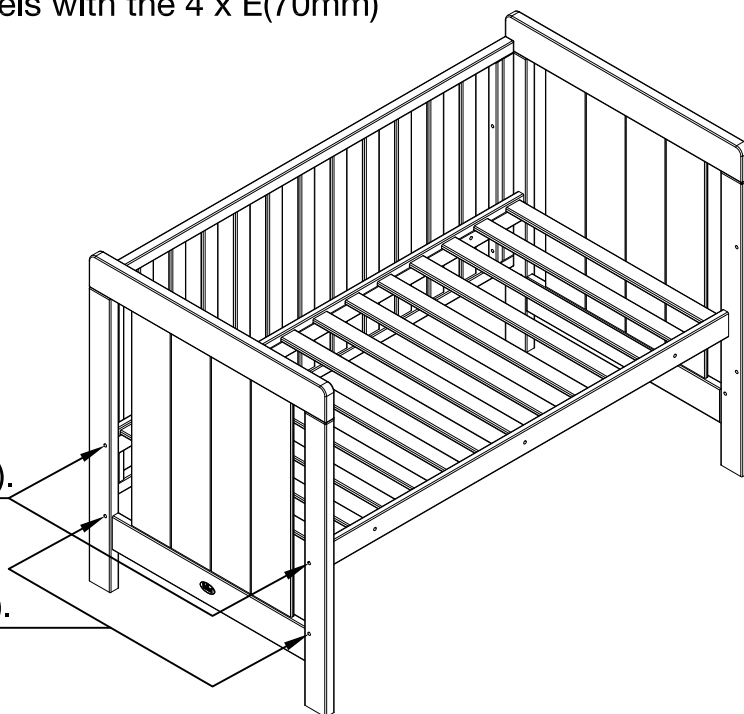
⚠ NOTE: THIS SIDE FACING DOWN WHEN USED AS A COT.



E x 4

2

Step2: Attach the Base
Connect Base to the two End panels with the 4 x E(70mm) connecting bolts provided.
(do not tighten at this step).



Top Hole high base position (for newborn).

E x 4

⚠ Bottom Hole low base position (for baby).

Base should be lowered to this position before child is able to sit up.

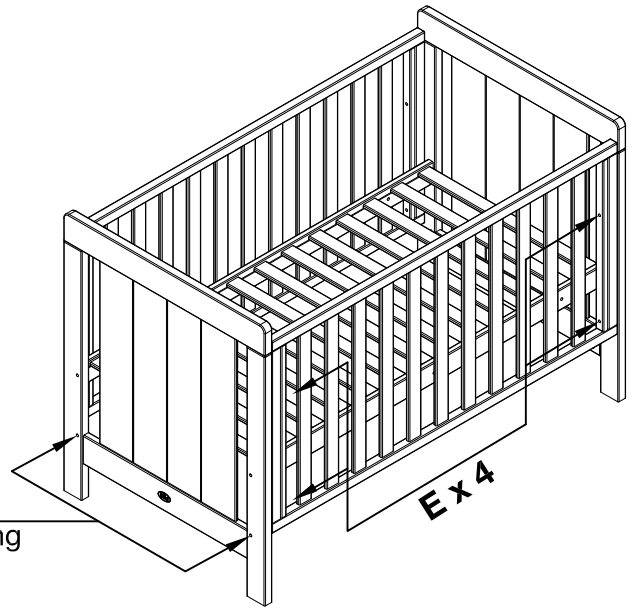
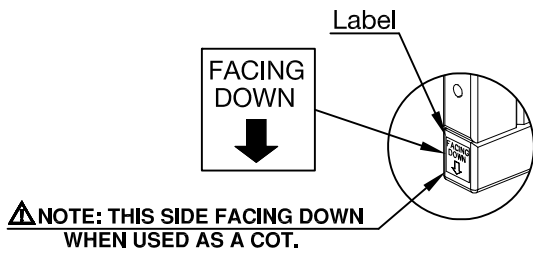


E x 4

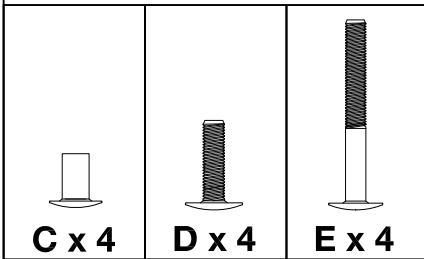
Assembly

3

Step3: Attach the other Fixed side panel
Connect the other Fixed side panel to the two End Panels with the 4 x E(70mm) connecting bolts provided.



Then cover remaining holes with 4 X D(23mm) connecting bolts & 4 X C capping nuts.

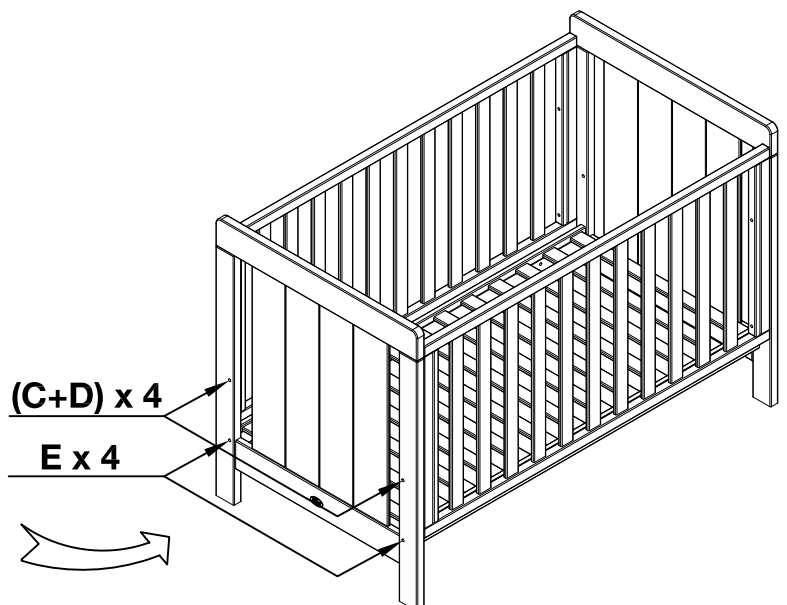
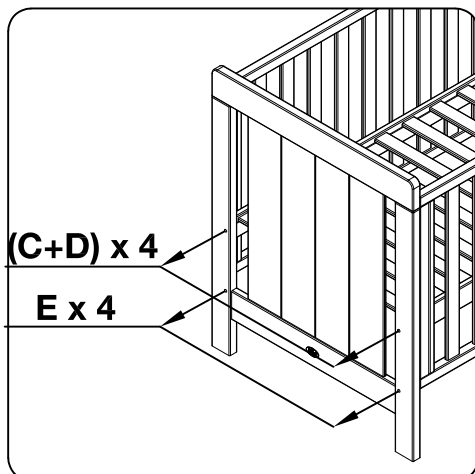


4

Step4: lower the Base height

A: remove 4 X D connecting bolts & 4 X C capping nuts from bottom holes in End panels.
B: loosen 8 X E connecting bolts in Fixed side panels. Then remove 4 X E connecting bolts in Base and lower Base to baby position. Screw 4 X E connecting bolts into Base's Bottom position Holes.
C: screw 4 X D connecting bolts & 4 X C capping nuts into End panels' top position Holes.

NOTE: Tighten all connecting bolts in Base and Fixed side.

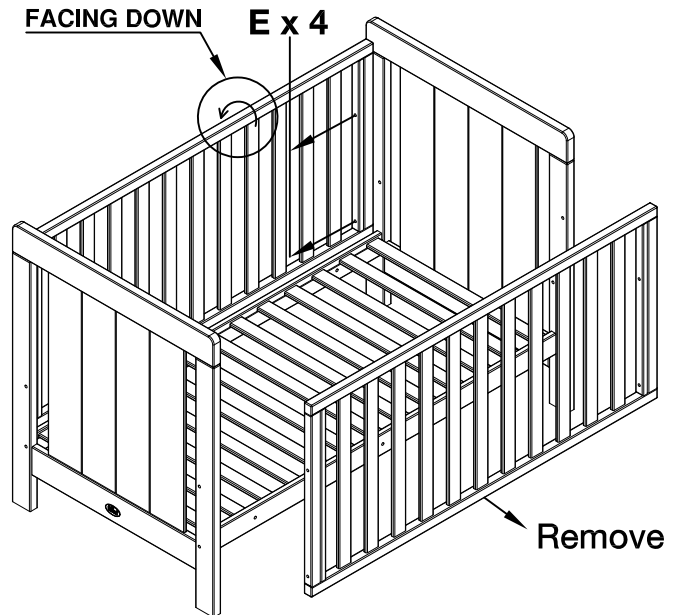


CONVERT YOUR COT TO TODDLER BED

5

Step 1:

- A: Reposition the Base to Bottom Holes' position.
- B: Remove 4 X E in one Fixed side panel, loosen 4 x E in Base, then pull End panels apart and remove the Fixed side panel.
- C: Remove 4 X E in the other Fixed side panel, turn the Fixed side panel around and reassemble.

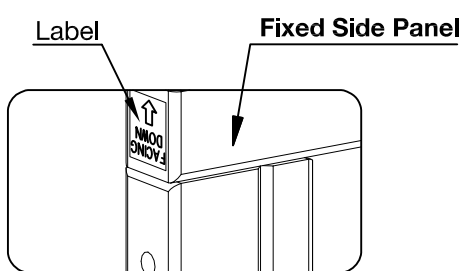


6

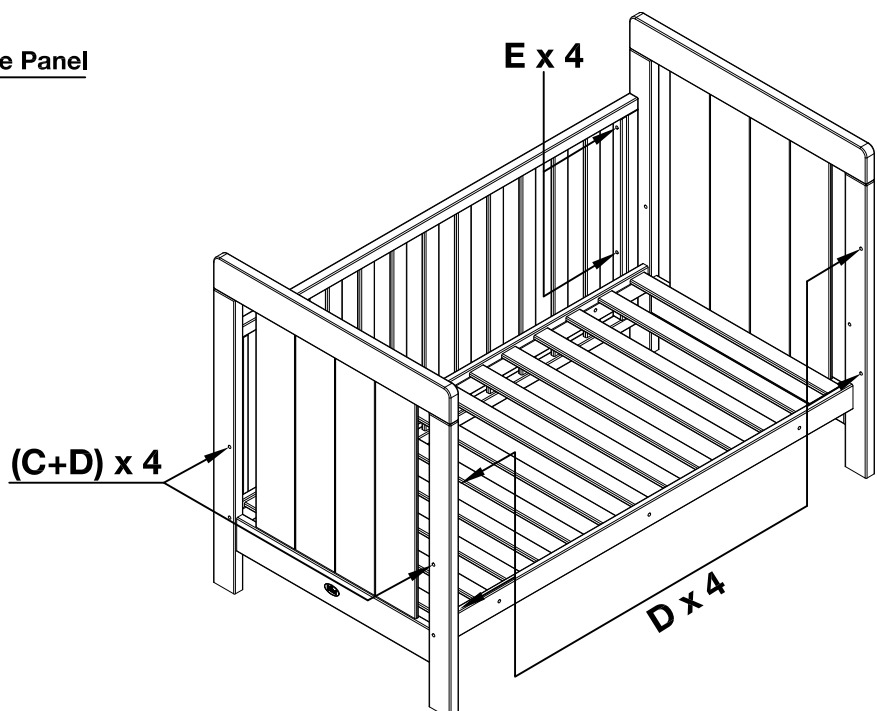
Step 2:

- A: connect Fixed side panel to the two End panels with the 4 x E connecting bolts.
- B: Block the remaining holes with 4 X D connecting bolts, 4 X D connecting bolts & 4 X C capping nuts in End panels.

Tighten all the connecting bolts.



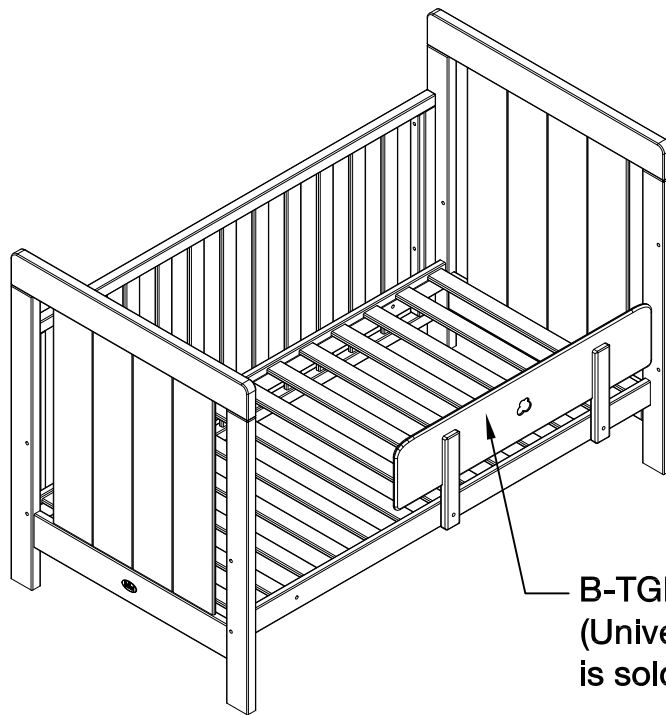
NOTE: THIS SIDE FACING UP WHEN USED AS A COT BED.



Assembly

7

The Toddler Bed Conversion,
item B-TGP(Universal Toddler Guard Panel)
is sold separately and available in matching finish.
Please contact your Boori dealer for more information.



B-TGP
(Universal Toddler Guard panel)
is sold separately.

Assembly instructions

NOTE: Use only spare parts approved by the manufacturer

FOR AUSTRALIA AND NEW ZEALAND (AS/NZS 2172:2013)

RECOMMENDED MATTRESS SIZE 1320mm X 700mm X 120mm

This cot has been manufactured for use with a mattress which measures 700mm wide by 1320mm long and 120 mm in thickness. The width and length are specified because it is important that the gaps between the mattress and the sides and ends of the cot will not exceed 40mm when the mattress is pushed to one side or end, and 20 mm when the mattress is centred in the cot. The thickness of the mattress has been specified to ensure that the depth of the cot is greater than 500 mm with the mattress base in the lower position to minimise the risk of a child climbing or falling out of the cot.

WARNING:

*** TO ENSURE THE SAFETY OF YOUR COT, REGULARLY CHECK ALL THE CONNECTING BOLTS AND GLIDE PINS MAKING SURE THEY ARE TIGHT.**

*** TO PREVENT FALLS OR SUFFOCATION THE MAXIMUM MATTRESS THICKNESS SHOULD NOT EXCEED 120MM**

*** WARNING: TO PREVENT FALLS, THE MATTRESS BASE OF THIS COT SHOULD BE ADJUSTED TO THE LOWEST POSITION BEFORE THE CHILD CAN SIT UP.**

* Follow the manufacturer's assembly instructions in detail to ensure the safety features of the cot are not compromised.

* Ensure the cot is placed at a reasonable distance from curtains, blinds, heaters and power points.

* Keep cot free of any toys, cushions etc that could be used as a foothold or present a danger of suffocation or strangulation.

* Keep medication, String, elastic or small items such as money out of reach from any position in the cot.

FOR THE UK (EN 716-1-2 : 2017)

RECOMMENDED MATTRESS SIZE 1320mm X 700mm x 120mm

If you leave the child unattended in the cot, always make sure that the dropside is in the highest position.

This cot has been manufactured for use with a mattress which measures 700mm wide by 1320mm long and a maximum thickness of 120mm. The width and length shall be such that the gap between the mattress and the sides and ends does not exceed 30mm. The thickness of the mattress has been specified to ensure that the depth of the cot is greater than 500mm with the mattress base in the lower position and 200mm with the mattress in the highest position to minimise the risk of a child climbing or falling out of the cot.

WARNING:

*** TO ENSURE THE SAFETY OF YOUR COT, REGULARLY CHECK ALL THE CONNECTING BOLTS AND GLIDE PINS MAKING SURE THEY ARE TIGHT, CARE SHOULD BE TAKEN THAT NO SCREWS ARE LOOSE BECAUSE A CHILD COULD TRAP PARTS OF THE BODY OR CLOTHING (EG. Strings, necklaces, ribbons for babies dummies), WHICH WOULD POSE A RISK OF STRANGULATION.**

*** TO PREVENT FALLS, THE MAXIMUM MATTRESS THICKNESS SHOULD NOT EXCEED 120MM.**

*** THE LOWEST POSITION IS THE SAFEST AND THE BASE SHOULD ALWAYS BE USED IN THAT POSITION AS SOON AS THE BABY IS OLD ENOUGH TO SIT UP.**

*** TO PREVENT INJURY FROM FALLS WHEN THE CHILD IS ABLE TO CLIMB OUT OF THE COT, THE COT SHALL NO LONGER BE USED FOR THAT CHILD.**

* Be aware of the risk of open fire and other sources of strong heat, such as electric bar fires, gas fires, etc. in the near vicinity of the cot.

* Do not use the cot if any part is broken, torn or missing and use only spare parts approved by the manufacturer.

* Do not leave anything in the cot or place the cot close to another product, which could provide a foothold or present a danger of suffocation or strangulation, e.g. strings, blind/curtain cords, etc.

* Do not use more than one mattress in the cot.

* All assembly fittings should always be tightened properly and that fittings should be checked regularly and retightened as necessary.

WARNING: (BS 8509:2008+A1:2011)

* The child's bed conforms to BS 8509:2008 +A1:2011

* Recommended mattress size 1320mm x 700mm x 120mm

* Suitable for a child from 18 months to 4 years old.

* Do not place this child's bed near heat sources, windows and other furniture.

* Do not use this child's bed if any part is broken, torn or missing.

* The bed is designed to be dismantled for storage or transportation.

* All assembly fittings should always be tightened properly and checked periodically.

* Children are likely to play, bounce, jump and climb on beds, therefore the child's bed should not be placed too close to other furniture or windows, blind cords, curtain pulls or other strings or cords, and should be placed either tight to any wall or have a gap of 300mm between the wall and the side of the bed.