

# Boori

## Linear



### 3 Drawer chest



**IMPORTANT:  
PLEASE READ THE INSTRUCTIONS CAREFULLY  
AND KEEP FOR FUTURE REFERENCE**



**IMPORTANT: THE ASSEMBLY OF THIS PRODUCT REQUIRES TWO PEOPLE  
READ ALL INSTRUCTIONS BEFORE ASSEMBLY AND USE OF THE PRODUCT.**

**Boori Australia Pty Ltd**  
18-20 Charles Street  
St. Marys Sydney NSW  
2760 Australia  
Tel: 61 2 9833 3769  
Fax: 61 2 9673 4240  
www.boori.com.au

**Boori (Europe) Ltd**  
1 Coombe Square  
Chapel Street  
Thatcham  
RG19 4JF  
Tel: (44) 016 3529 5670  
Fax: (44) 016 3587 7552  
www.boori.co.uk

**Halim & Boori Company**  
10F. Halim INT'L B/D, #1674-4,  
Seocho-Dong, Seocho-Gu,  
Seoul, Korea  
Tel: +82-2-598-1470  
Fax: +82-2-583-8885  
E-mail : ted@boori.co.kr  
Postal code: 137-725.

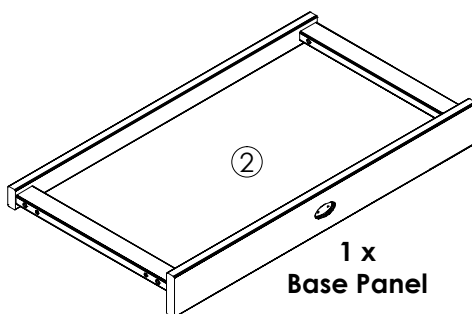
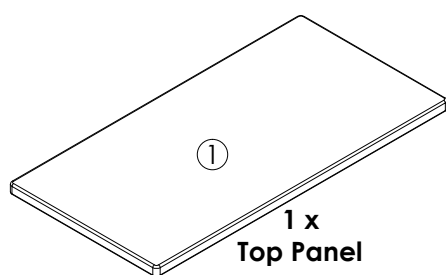
ブーリジャパン(株)  
〒541-0057  
日本国大阪府大阪市  
中央区北久宝寺町4-2-10  
Tel : 06-4963-3939  
Fax : 06-4963-3900  
E-mail : info@boori.co.jp

博瑞儿童用品(上海)有限公司  
上海市青浦区徐泾镇华徐公路577号  
VEG微格创意园A8-10室  
邮编 : 201702  
电话 : 021-52966600  
传真 : 021-52966636  
网址 : www.boori.com.cn

## Boori Linear 3 Drawer chest (B-LI3DC)

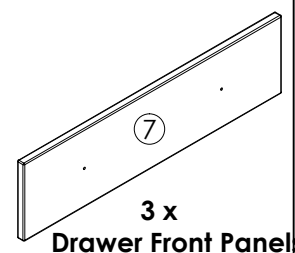
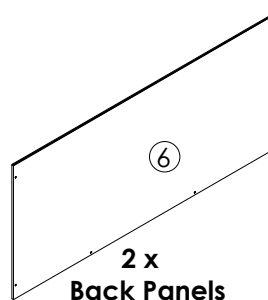
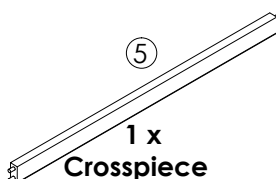
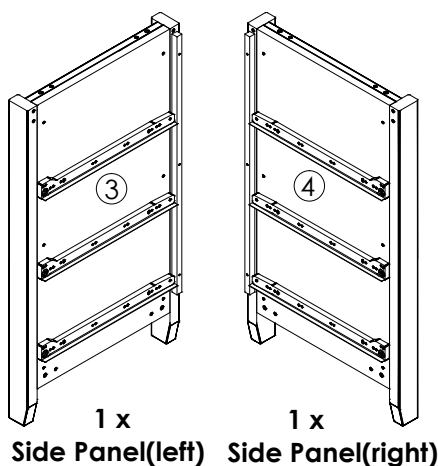
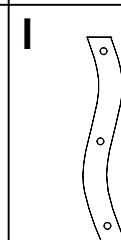
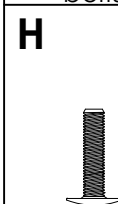
### Hardware and Parts List

1 x Allen Key	12 X Connecting bolts	12 X Excenter fittings	6 X M4x30mm Connecting bolts	12 X Ø4x30mm Self tapping screws	12 x Ø3.5x16mm Self tapping screws	4 X Ø6x60mm Connecting bolts	4 X Ø6x80mm Connecting bolts
	<b>A</b>	<b>B</b>	<b>C</b>	<b>D</b>	<b>E</b>	<b>F</b>	<b>G</b>

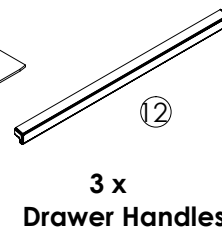
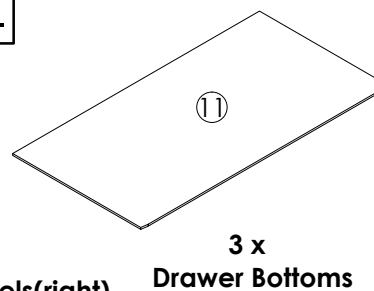
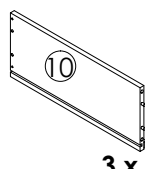
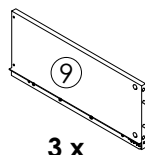
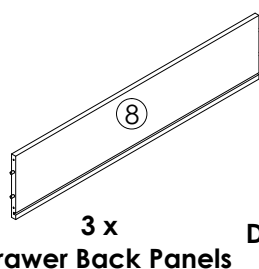


**1 x Ø5x16mm Connecting bolts**

**1 x Wall strap**



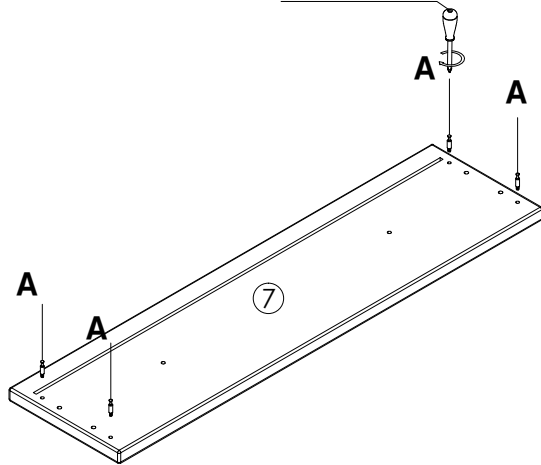
**NOTE:**  
Use only spare parts approved by the manufacturer.



# ASSEMBLY INSTRUCTIONS

## Step 1: Screws into the Drawer Panel.

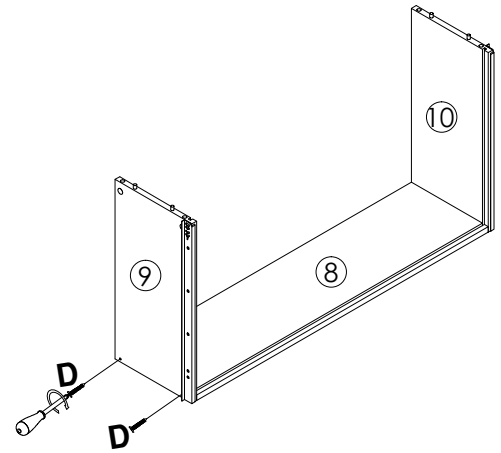
(Not supplied)



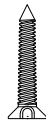
A X 12



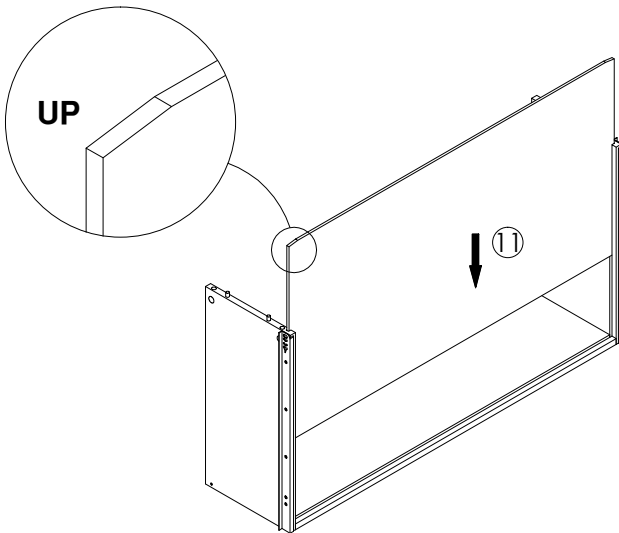
## Step 2: Attach the Drawer Back Panel and Side Panels.



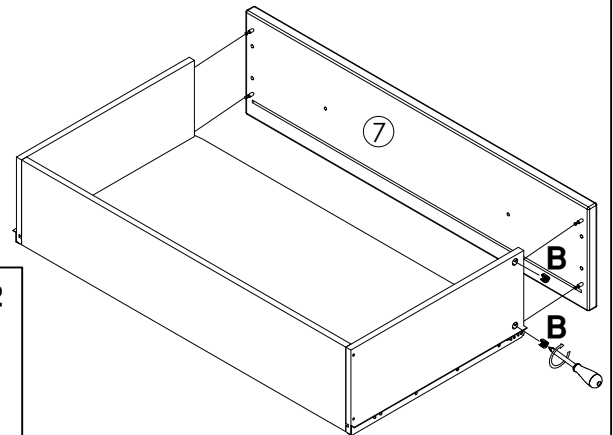
D X 12



## Step 3: Insert the Drawer Bottom.



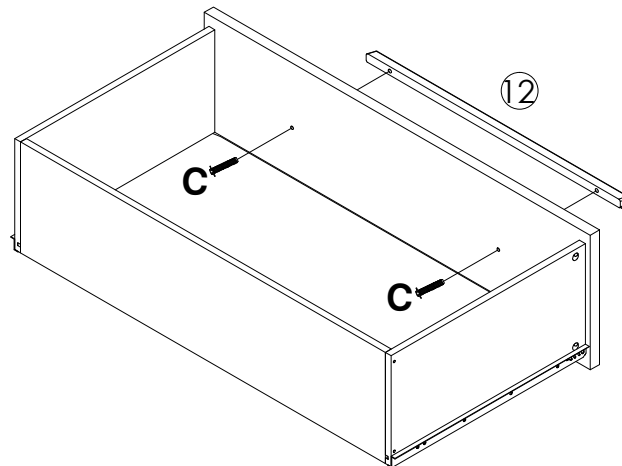
## Step 4: Attach the Drawer Panel.



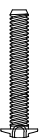
B X 12



## Step 5: Attach the Handle.



C X 6

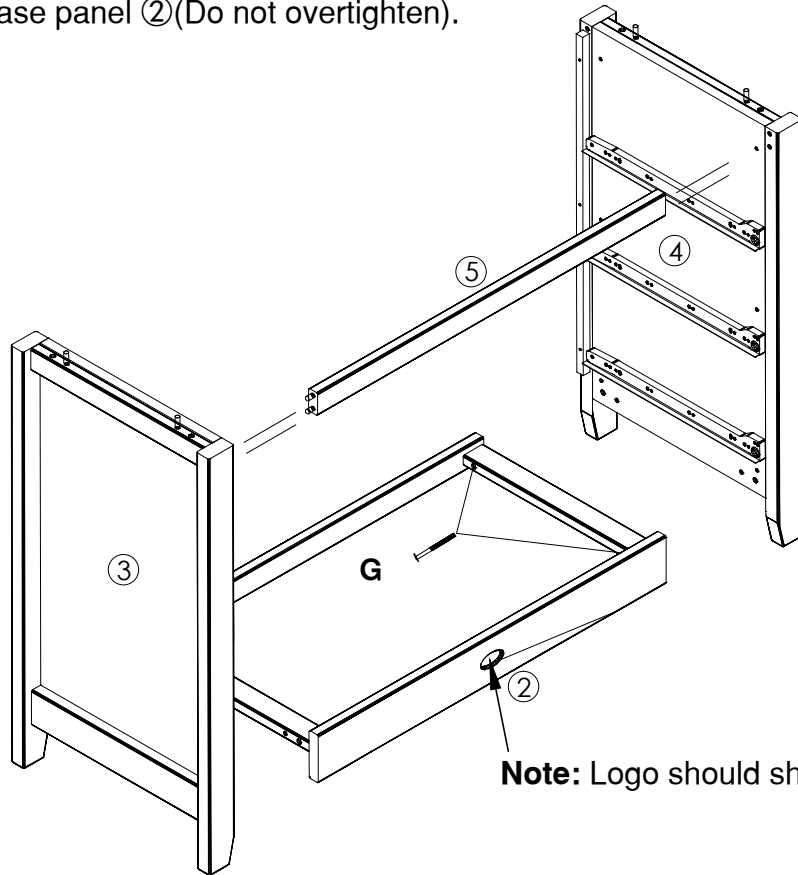


△ Assemble the other two Drawers in the same way.

# ASSEMBLY INSTRUCTIONS

## Step 6: Attach the Side Panels and Base Panel.

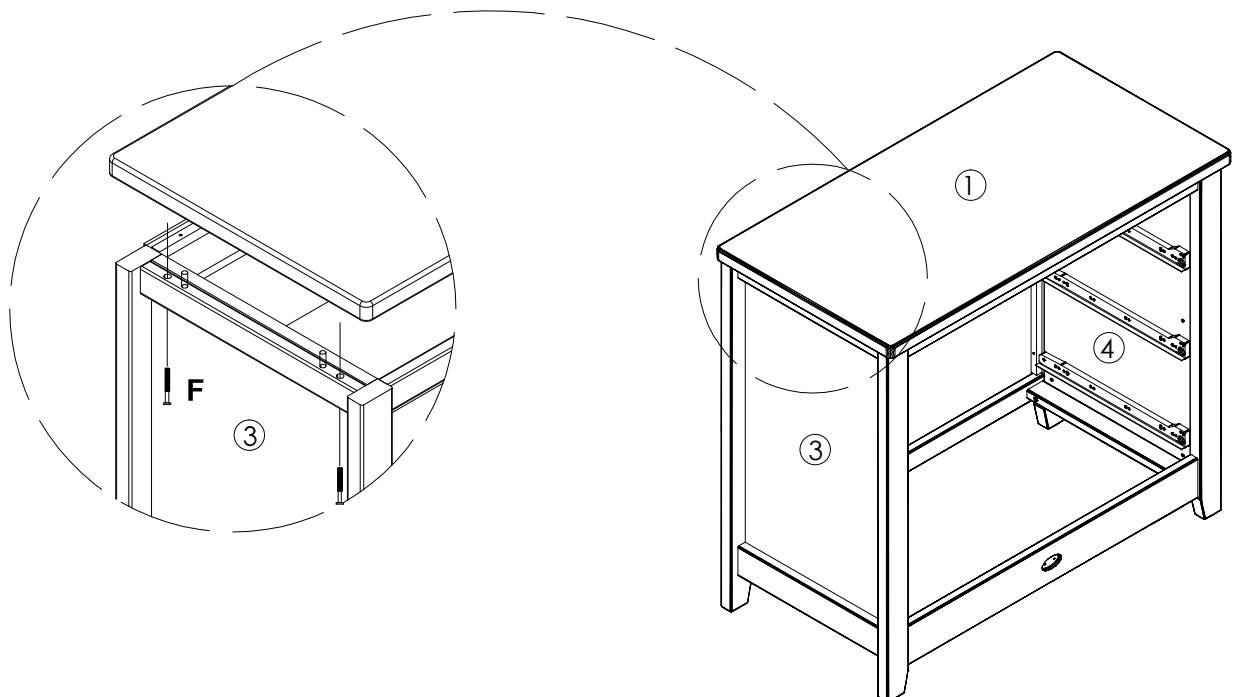
First, connect the base panel ② to side panels ③④ with 4 × G screws (Do not tighten). Then, place the crosspiece ⑤ between the two side panels ③④. Fasten the screws on the base panel ② (Do not overtighten).



G X 4



## Step 7: Attach the Top Panel.

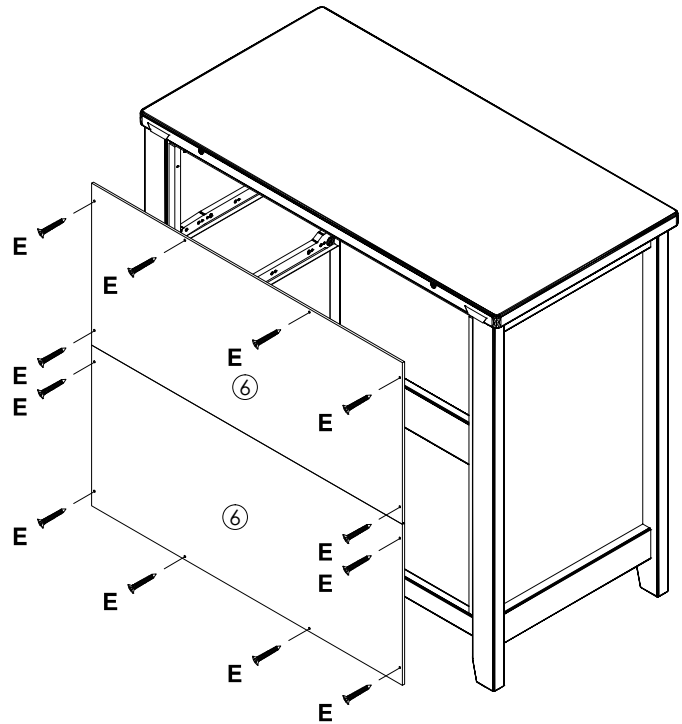
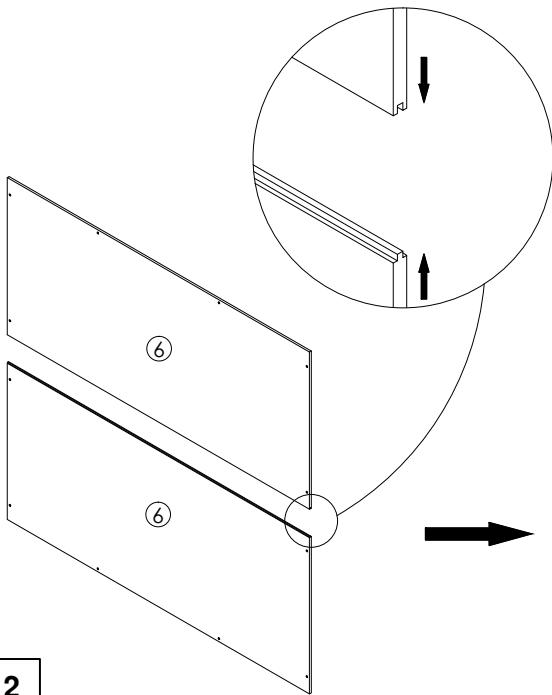


F X 4

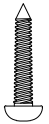


# ASSEMBLY INSTRUCTIONS

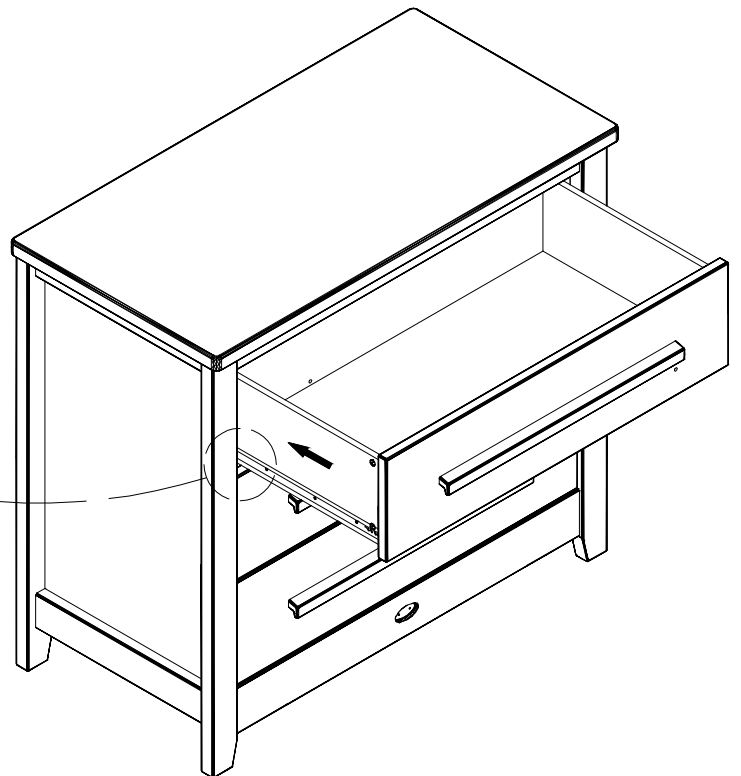
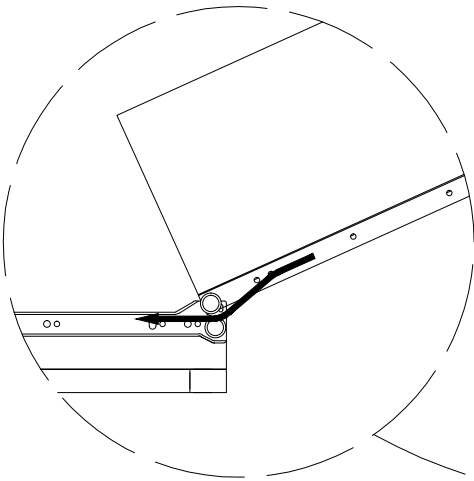
**Step 8: Attach the Back Panels.**



**E X 12**



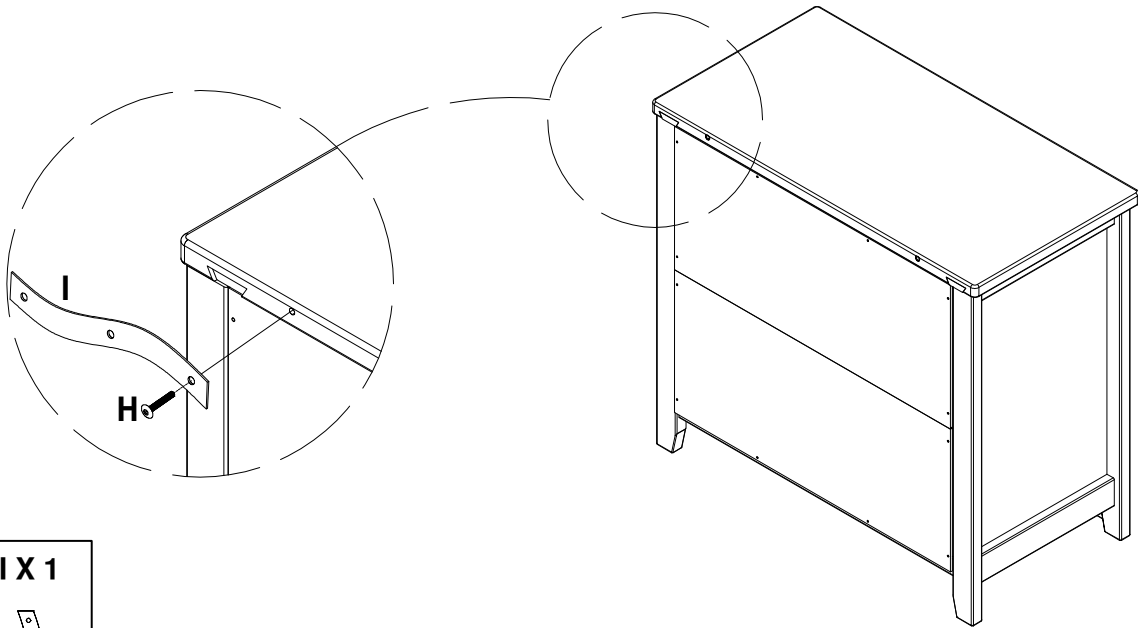
**Step 9: Insert the Drawers into the chest.**



**⚠ Insert the other two Drawers.**

# ASSEMBLY INSTRUCTIONS

**Step 10:** Attach the wall Strap.



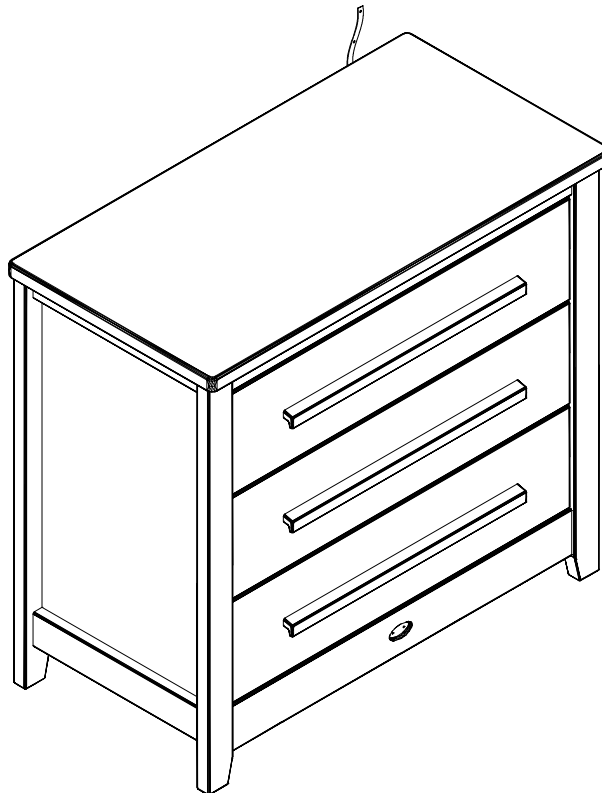
H X 1



I X 1



**Step 11:** Fix to the wall.



**⚠ Place the assembled furniture adjacent to the wall and fix to the wall using the appropriate screw for that wall type. If you are in any doubt about the correct type of fittings to use, please seek professional advice.**