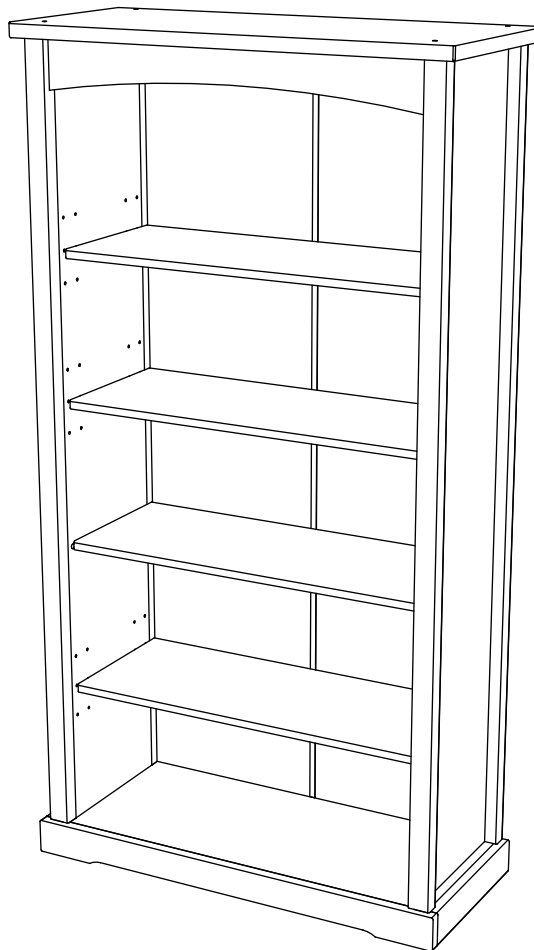


Boori

Universal

⌘

Large Bookcase



**IMPORTANT:
PLEASE READ THE INSTRUCTIONS CAREFULLY
AND KEEP FOR FUTURE REFERENCE**



**IMPORTANT:THE ASSEMBLY OF THIS PRODUCT REQUIRES TWO PEOPLE
READ ALL INSTRUCTIONS BEFORE ASSEMBLY AND USE OF THE PRODUCT.**

Boori Australia Pty Ltd
18-20 Charles Street
St. Marys Sydney NSW
2760 Australia
Ph: 61 2 9833 3769
Fax: 61 2 9673 4240
www.boori.com.au

Boori (Europe) Ltd
Unit 1,Transigo
Gables Way
Thatcham,Berkshire,
RG19 4JZ
Ph: (44) 016 3529 5670
Fax: (44) 016 3587 7552
www.boori.co.uk

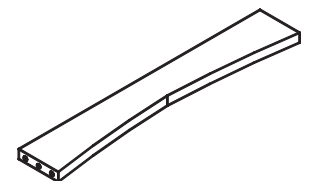
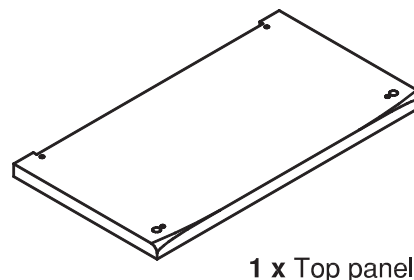
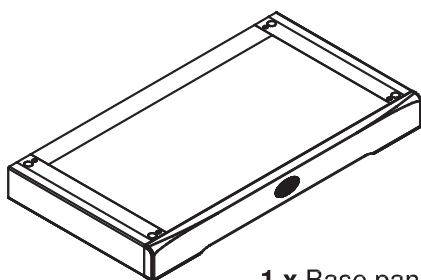
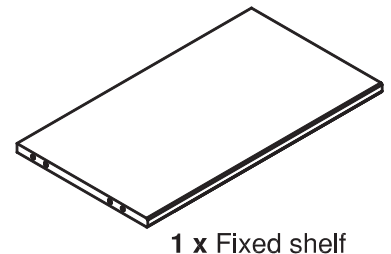
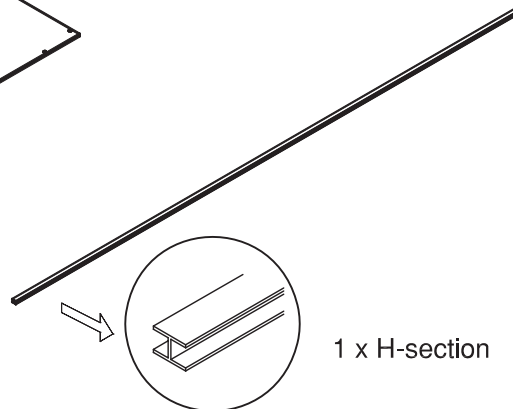
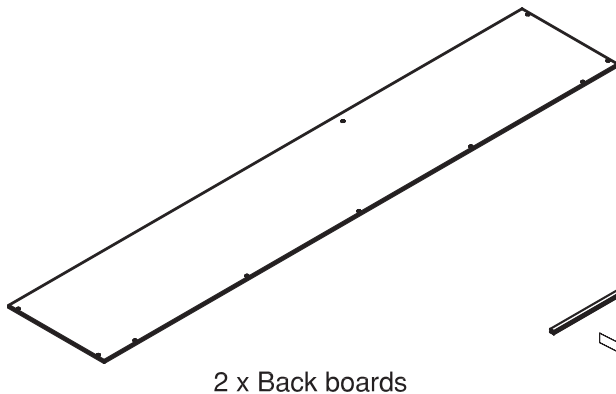
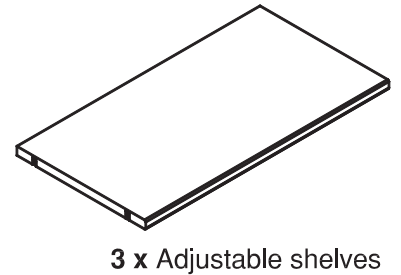
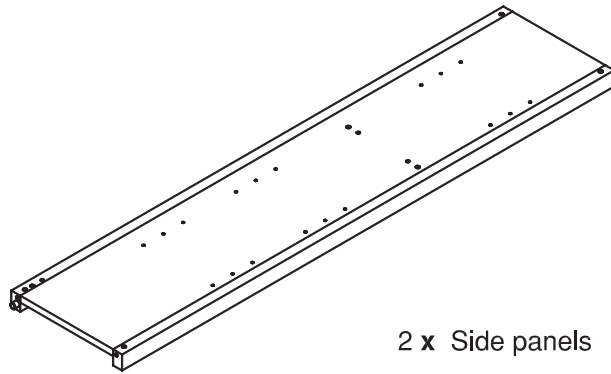
Halim & Boori Company .
10F Halim INT'L B/D, #1674-4,
Seocho-Dong, Seocho-Gu,
Seoul, Korea
Tel: +82-2-598-1470
Fax: +82-2-583-8885
E-mail : ted@boori.co.kr
Postal code: 137-725.

ブーリジャパン(株)
〒541-0057
日本国大阪府大阪市中央区北久
宝寺町4-2-10
Ph : 06-4963-3939
Fax : 06-4963-3900
E-mail : info@boori.co.jp

Instructions for Universal Large Bookcase (B-LB)

Hardware and Parts List

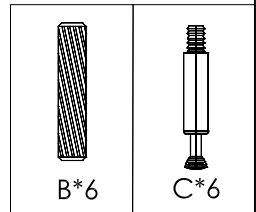
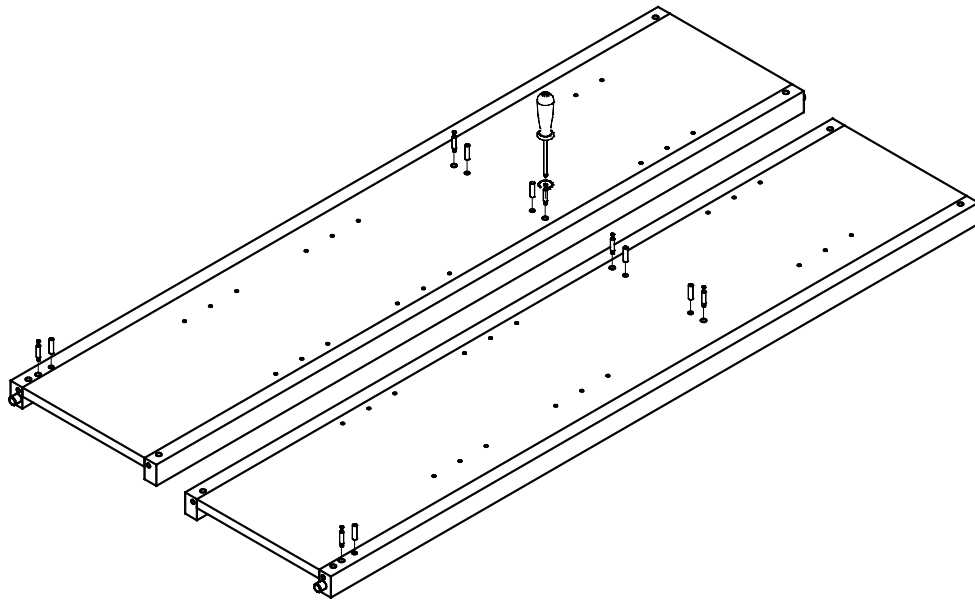
1 x Allen Keys	6 x Wooden dowels	6 x Connecting bolts	6 x Excenter fittings	12 x Shelf Supports	20 x Self tapping screws	8 x M6*60 Connecting bolts	1 x M5*16 Connecting bolts	1 x Wall Strap
A	B	C	D	E	F	G	H	I



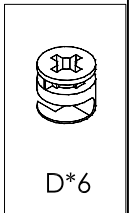
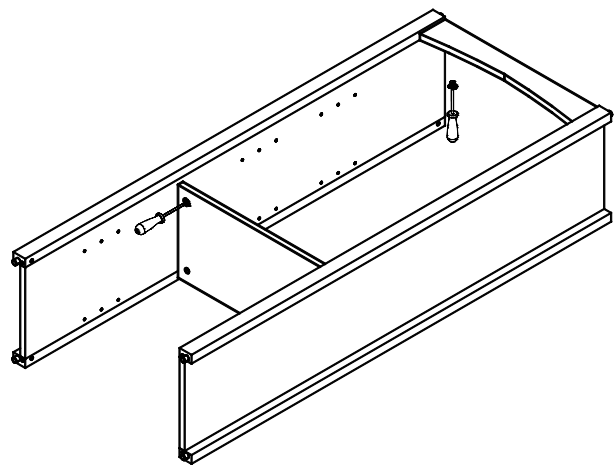
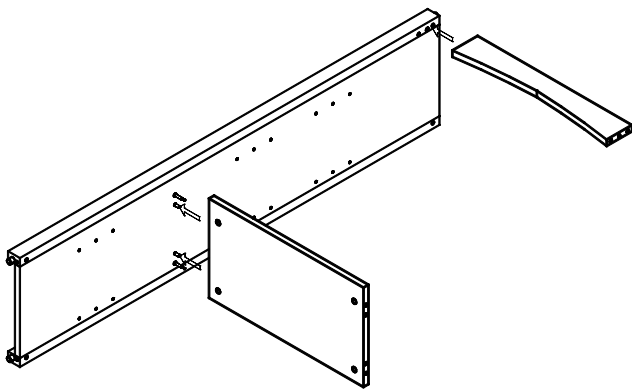
ASSEMBLY INSTRUCTIONS

Stage 1: preparation work

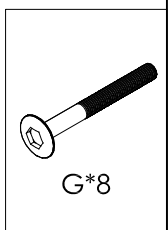
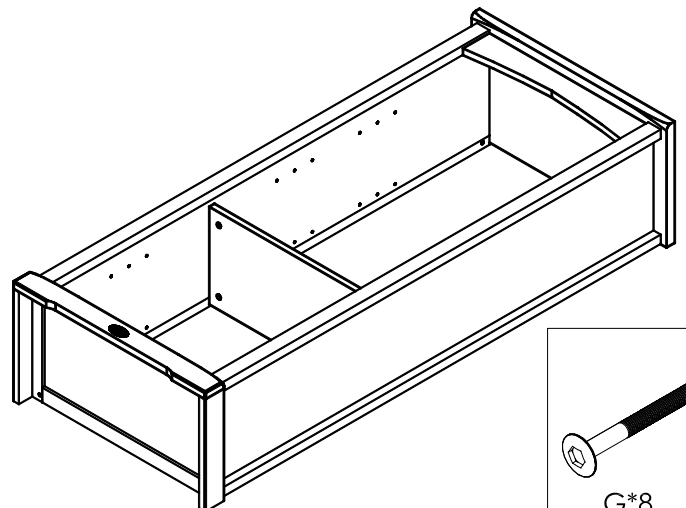
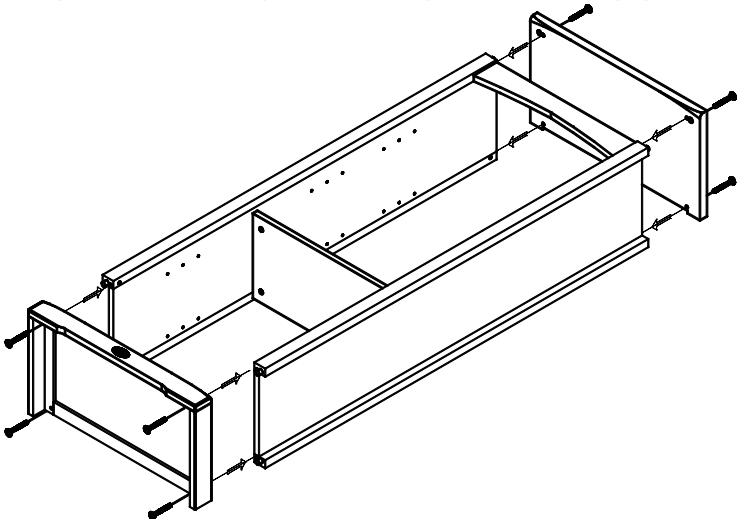
A: Insert 6 x wooden dowels and screw 6 x connecting bolts firmly into the side panels (using a philips head screwdriver)(not supplied).



Stage 2: Attaching the fixed shelf and head board

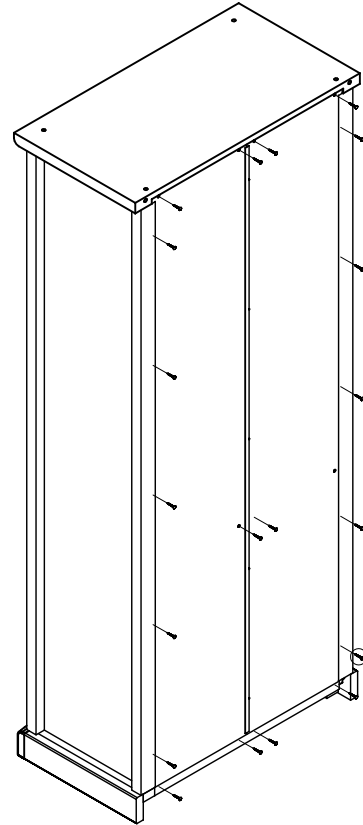
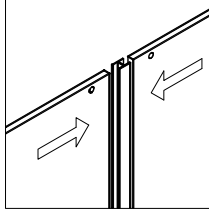
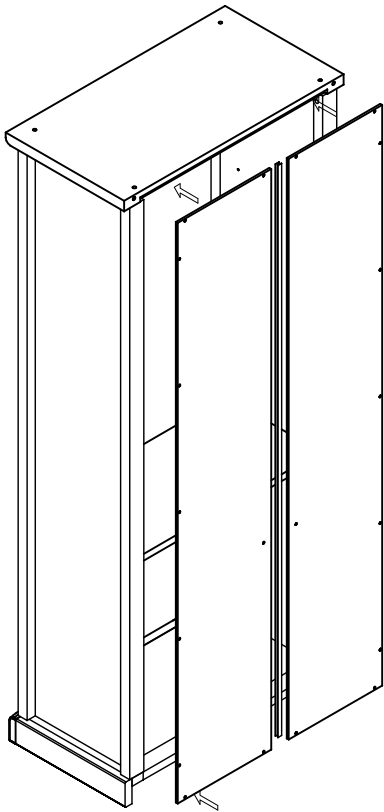


Stage 3: Attaching the base panel and top panel



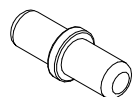
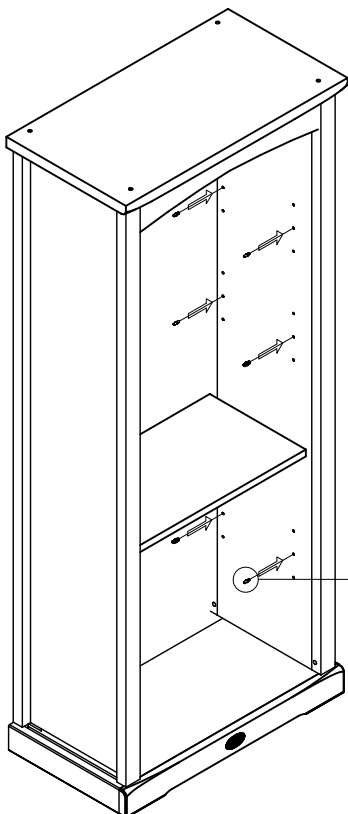
ASSEMBLY INSTRUCTIONS

Stage 4: Attaching the back boards

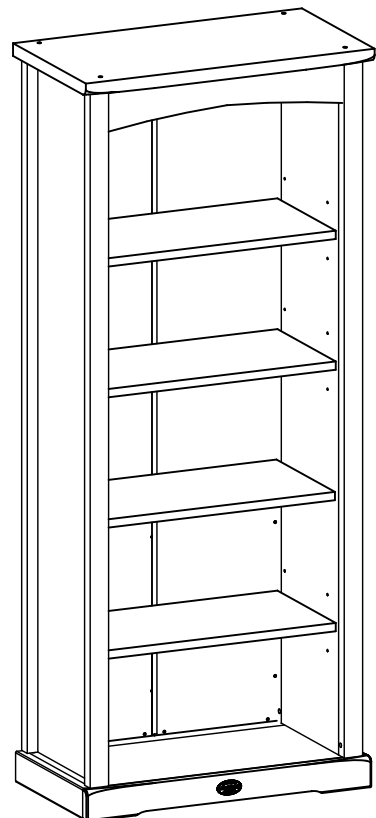


F*20

Stage 5: Attaching the adjustable shelves

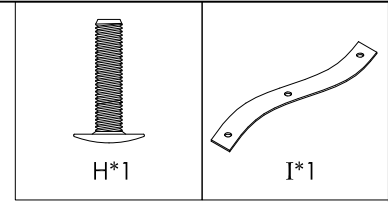
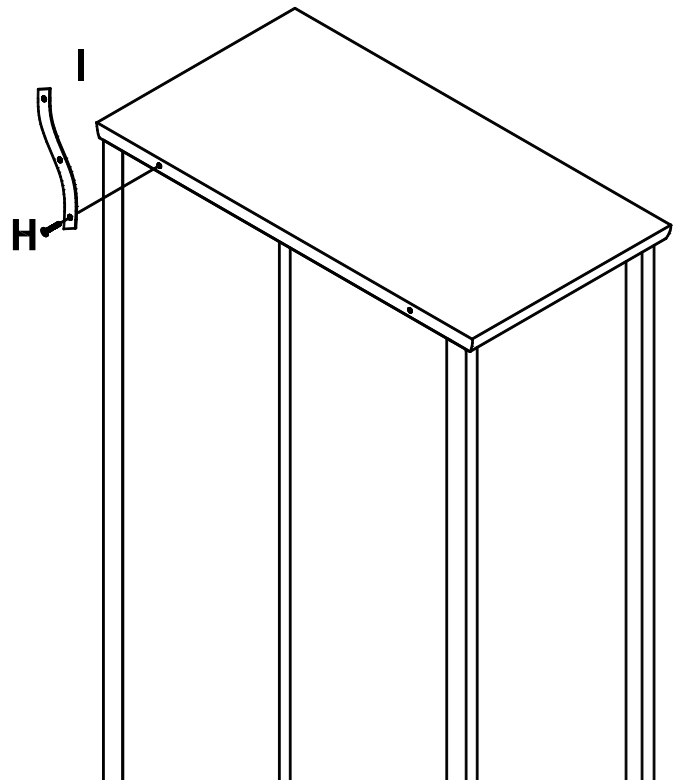
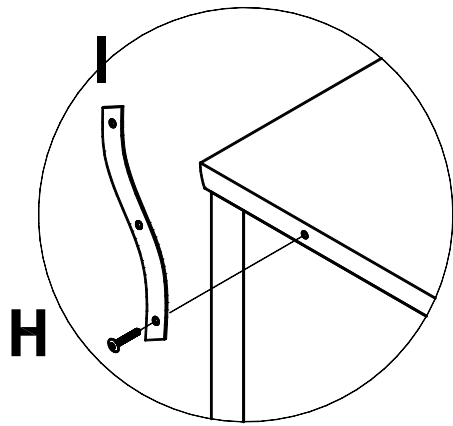


E*12



ASSEMBLY INSTRUCTIONS

Stage 6: Instruction for the wall strap attachment



1. Attach I to the rear edge of the top (left side or right side) using H.
2. The wall strap is only intended to be used with the Boori product that it is supplied with.
3. Never attempt to modify or change the wall strap in any way .Never use any other fittings for attaching the strap to your furniture other than those supplied.
4. Never use the screw provided to attach the wall strap to the wall.
5. No wall attachment fittings are supplied. This is because the type of fittings required to attach the wall strap to the chosen wall is determined by the walls composition.
6. If you are in any doubt about the correct type of fittings to use when attaching your wall strap,consult a professional before attempting to fix it to the wall.