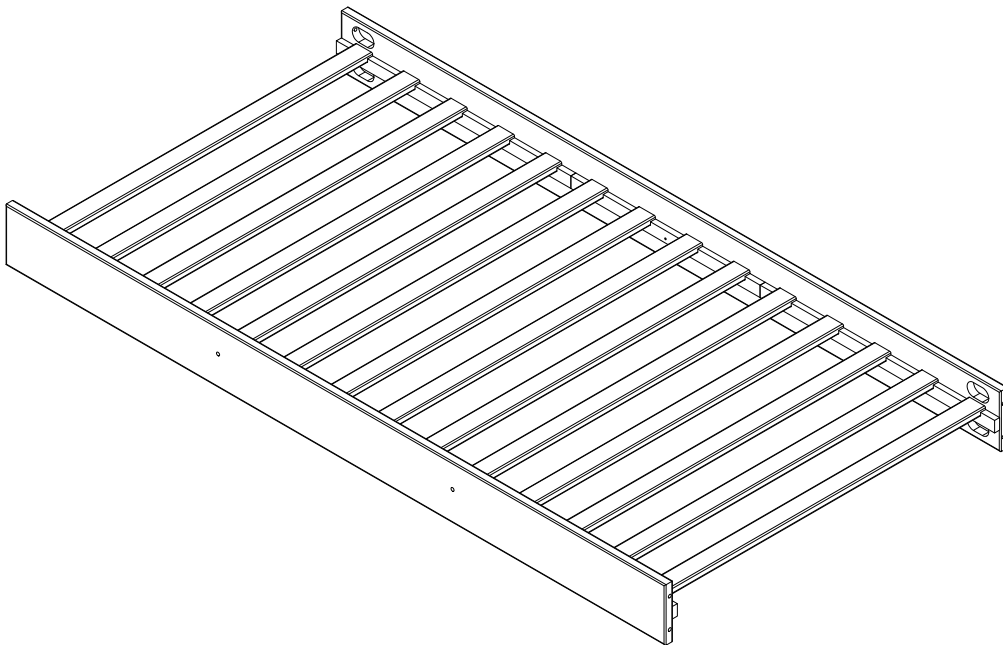


Boori

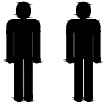
Dawn



Expandable Conversion Kit



**IMPORTANT:
PLEASE READ THE INSTRUCTIONS CAREFULLY
AND KEEP FOR FUTURE REFERENCE**



**IMPORTANT: THE ASSEMBLY OF THIS PRODUCT REQUIRES TWO PEOPLE
READ ALL INSTRUCTIONS BEFORE ASSEMBLY AND USE OF THE PRODUCT.**

Boori Australia Pty Ltd
18-20 Charles Street
St. Marys Sydney NSW
2760 Australia
Ph: 61 2 9833 3769
Fax: 61 2 9673 4240
www.boori.com.au

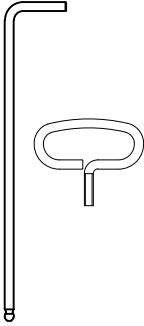
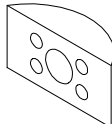
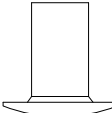
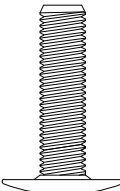
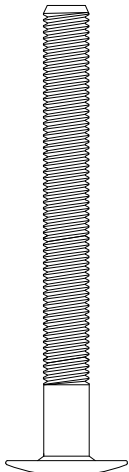
Boori (Europe) Ltd
Unit 1, Transigo
Gables Way
Thatcham, Berkshire,
RG19 4JZ
Ph: (44) 016 3529 5670
Fax: (44) 016 3587 7552
www.boori.co.uk

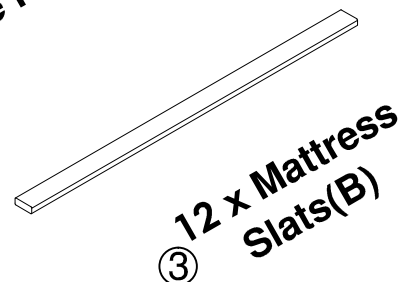
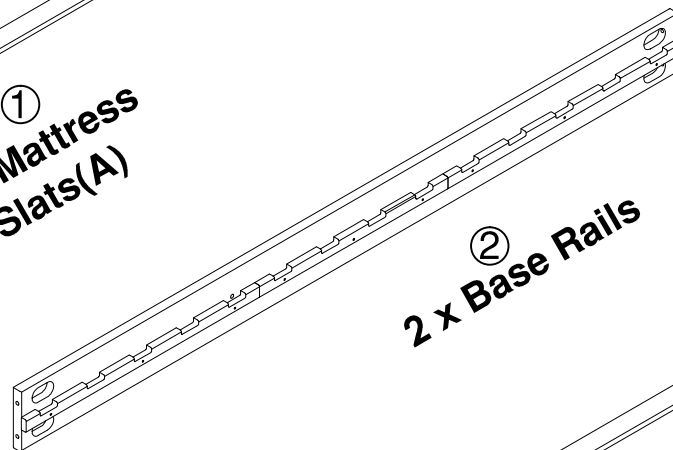
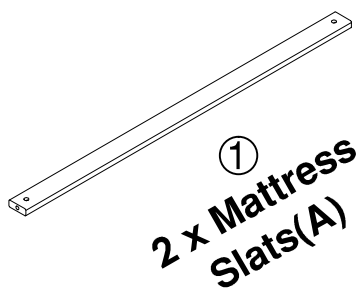
Halim & Boori Company
10F. Halim INT'L B/D,
#1674-4, Seocho-Dong,
Seocho-Gu, Seoul, Korea
Tel: +82-2-598-1470
Fax: +82-2-583-8885
E-mail : ted@boori.co.kr
Postal code: 137-725.

ブーリジャパン(株)
〒541-0057
大阪府大阪市中央区北久宝寺町
4-2-10
Ph : 06-4963-3939
Fax : 06-4963-3900
E-mail : info@boori.co.jp

Instructions for Boori Dawn Expandable Conversion Kit (B-DAEXCK)

Hardware and Parts List

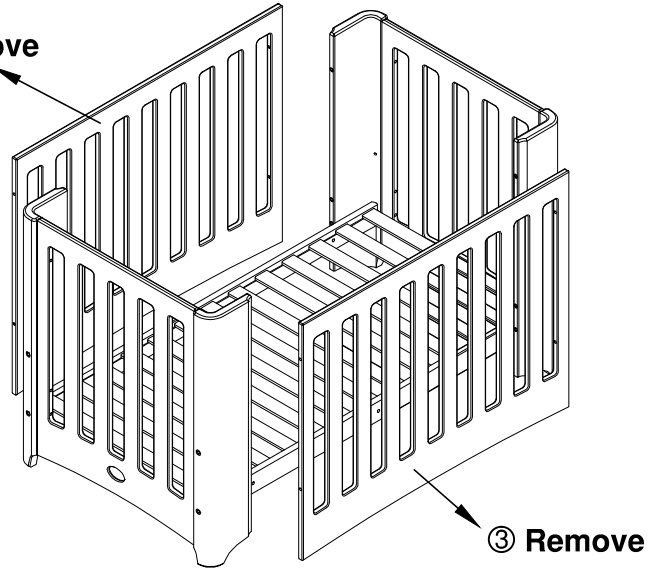
Allen Keys	8 x Crescent washers	8 x Capping nuts	12 x M6*23mm Connecting bolts	24 x M6*60mm Connecting bolts
	A 	B 	C 	D 
(all from the B-DAEXP)		(4 from the B-DAEXP)	(8 from the B-DAEXP)	(all from the B-DAEXP)
Actual size	Actual size	Actual size	Actual size	Actual size
NOTE: Use only spare parts approved by the manufacturer.				



ASSEMBLY INSTRUCTIONS

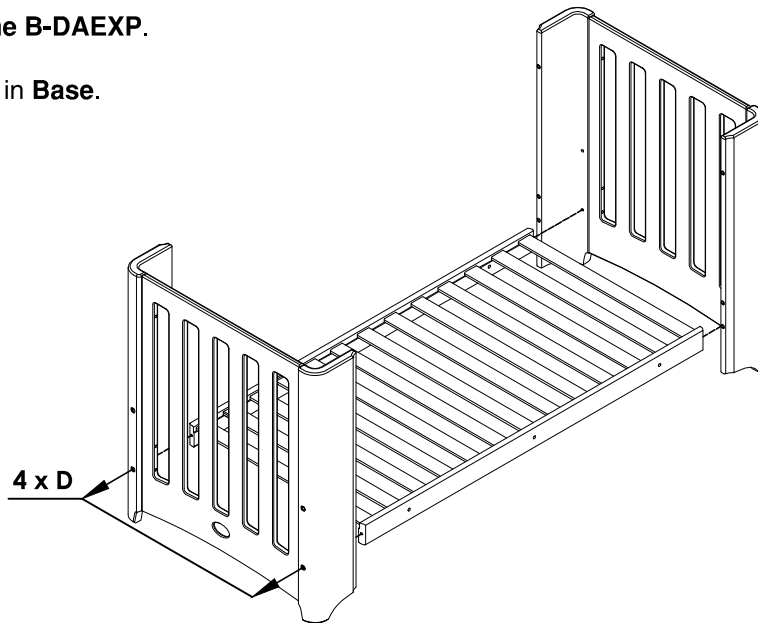
Step 1: Remove the **Side Panels** in the B-DAEXP.

③ Remove



Step 2: Remove the **Base** in the B-DAEXP.

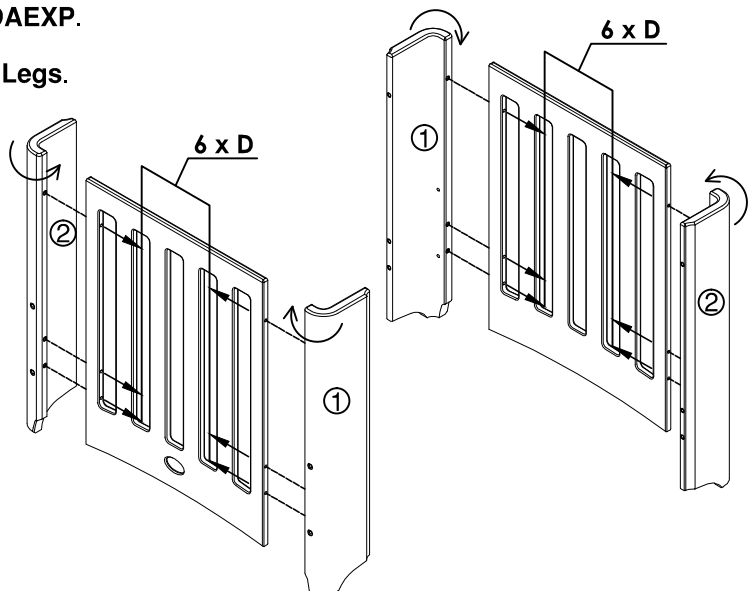
Remove **4 x D** connecting bolts in **Base**.



Step 3: Separation of **Legs** and **End Panels** in the B-DAEXP.

A: Remove **12 x D** connecting bolts in **End Panels** and **Legs**.

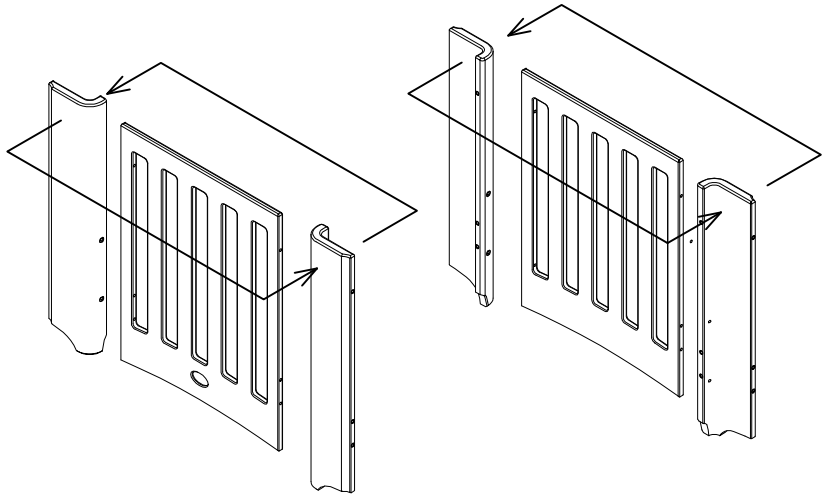
B: Rotate two **Legs** ① clockwise 90° as shown.
Rotate two **Legs** ② counterclockwise 90°.



ASSEMBLY INSTRUCTIONS

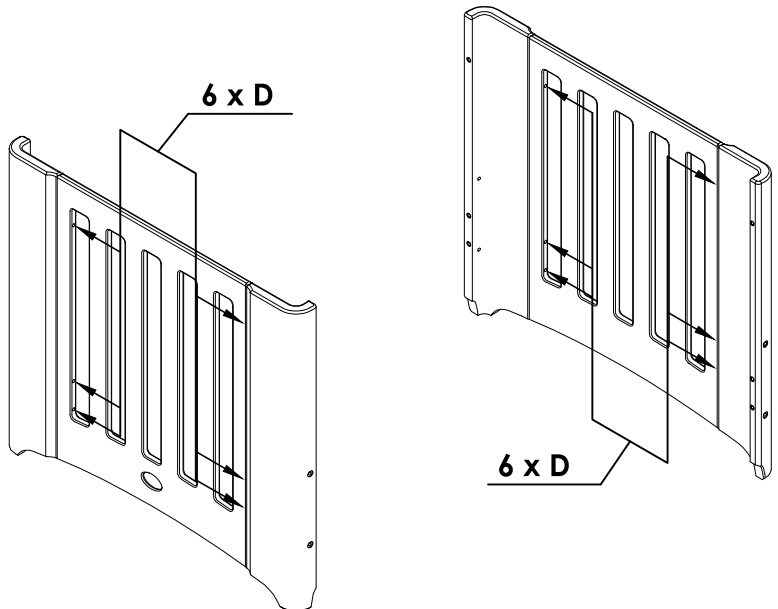
Step 4: Exchange Places in the B-DAEXP.

Legs exchange places as shown.



Step 5: Attach the Legs in the B-DAEXP.

Connect the **Legs** to the **End Panels** with the **12 x D** (60mm) connecting bolts (from the B-DAEXP) provided.



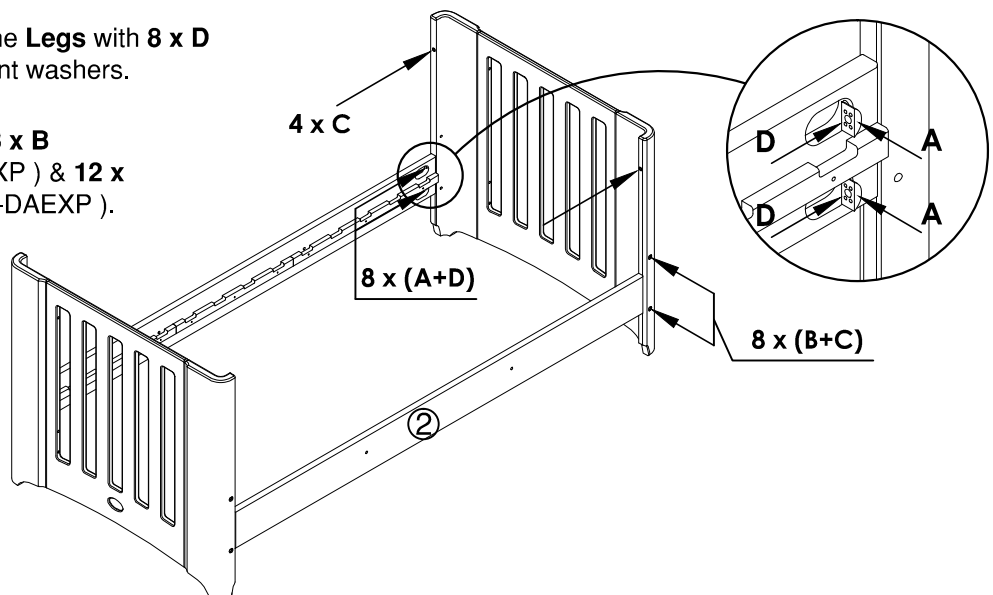
D x 12



Step 6: Attach the ② Base Rails in the B-DAEXP.

A: Connect the **Base Rails** to the **Legs** with **8 x D** connecting bolts & **8 x A** crescent washers.

B: Cover remaining holes with **8 x B** capping nuts (4 from the B-DAEXP) & **12 x C** connecting bolts (8 from the B-DAEXP).



A x 8

B x 8

C x 12

D x 8

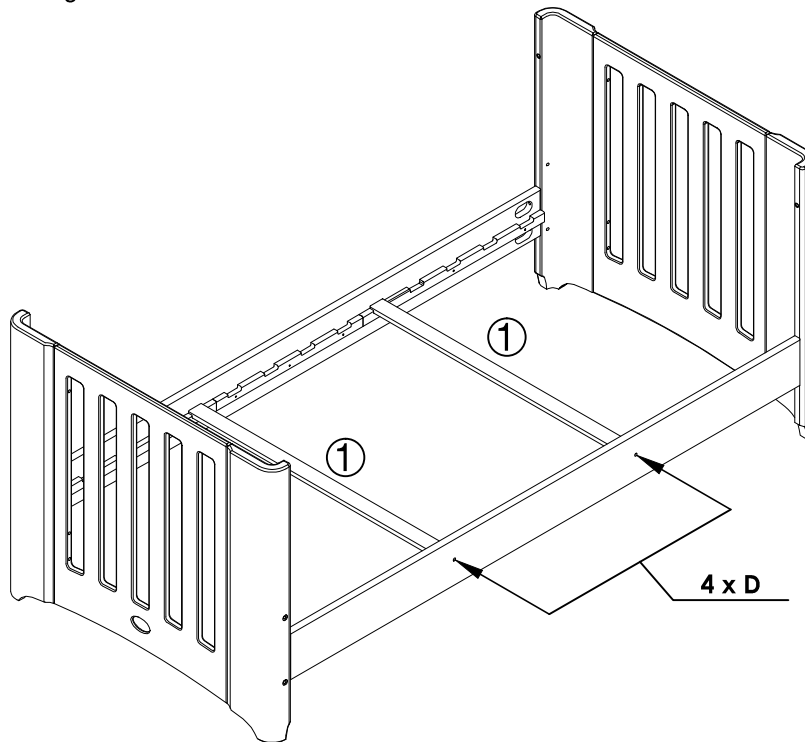


ASSEMBLY INSTRUCTIONS

Step 7: Attach the ① **Mattress Slats (A)**

A: Connect **the two Mattress Slats (A)** to the Base Rails with **4 x D** connecting bolts (from the B-DAEXP).

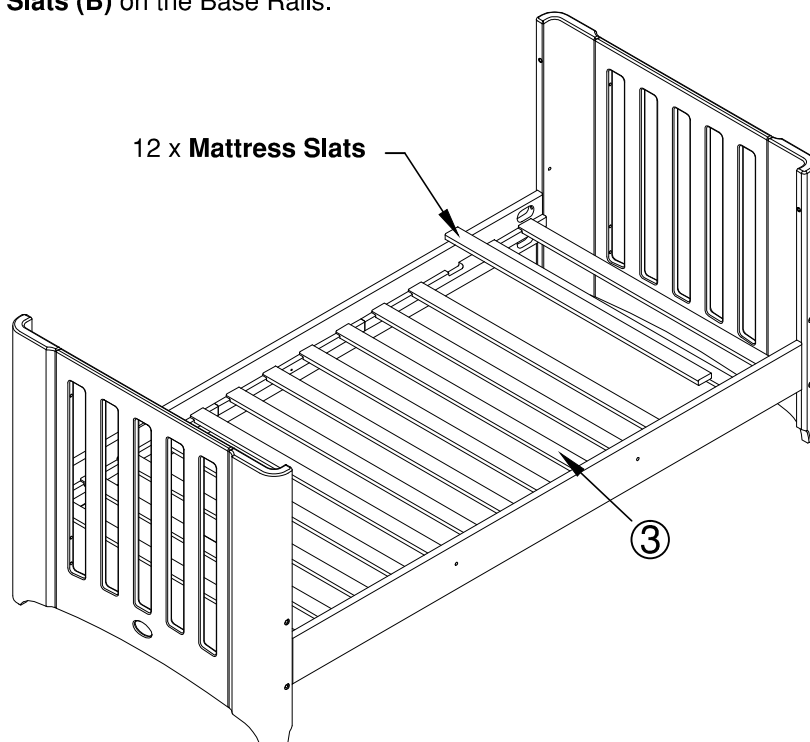
NOTE: Tighten all connecting bolts.



D x 4

Step 8: Attach the ③ **Mattress Slats (B)**

A: Put the **12 x Mattress Slats (B)** on the Base Rails.





Boori Care Instructions

Congratulations and thank you for choosing Boori product(s). The furniture you have purchased is constructed from high quality materials for strength and durability. Here are some tips on how you can preserve its beauty for a long time.

1. Do not expose furniture to strong sunlight, direct heat sources, extreme changes in temperature or moisture.
2. Wipe up spills immediately with a soft, clean cloth.
3. Urine spills on furniture can cause discolouration.
4. Clean furniture by wiping the surface with a soft cloth dampened with water.
5. If necessary clean furniture using a mild soap solution and wipe clean with a soft cloth dampened with water and then dry with soft clean cloth.
6. Do not use strong household cleaners.
7. Always wipe in the direction of the grain in the wood do not wipe in a circular motion.
8. Avoid contact with sharp objects, or containers containing hot liquid.
9. Avoid contact with 'rubber feet' on items such as radios, computers, telephones etc. Use a felt mat (not plastic) to protect furniture surfaces.
10. Do not open more than one drawer at a time.
11. When moving furniture do not drag always lift and place in position.

Boori Warranty

All Boori products (including mattresses) carry a full five (5) year manufacturer's warranty as testimony to the quality and longevity of the range. This warranty excludes general wear & tear and damage caused, by the product not being used in accordance with its instructions or the care instructions.

During this guarantee period Boori will replace or repair any defective part. In the event of a product being replaced, as a whole unit or part thereof during the guarantee period, the guarantee on the replacement will expire five (5) years from the original purchase date.

This guarantee excludes accidental damage, misuse and or improper transporting and handling.

The warranty is void if the original product has been altered in design or colour in anyway.

All warranty claims must be lodged at the place of original purchase and proof of purchase must be provided in order to lodge a warranty claim.

Boori Australia Pty Ltd
18-20 Charles Street
St.Marys Sydney NSW
2760 Australia
Ph: (61 2) 9833 3769
Fax: (61 2) 9673 4240
www.boori.com.au

Boori Europe Ltd
Unit 1, Transigo,
Gables Way
Thatcham, RG19 4JZ
Ph: (44) 01635 295670
Fax: (44) 01635 877552
www.boori.co.uk

Halim & Boori Company
10F. Halim Int'l B/D,
#1674-4, Seocho-Dong,
Seocho-Gu, Seoul
137-725, Korea
Ph: +82-2-598-1470
Fax: +82-2-583-8885
www.boori.co.kr

ブーリジャパン株式会社
〒 541-0057 大阪市中央区
北久宝寺町4丁目2-10
Tel: 06-4963-3939
Fax: 06-4963-3900
www.boori.jp



Warranty against defects



For Australia only (updated 01/01/2012)

Boori Australia Pty Ltd

18-20 Charles Street, St.Marys Sydney Nsw 2760 Australia
PH:(61 2) 9833 3769 FAX:(61 2) 9673 4240
ABN: 76 104 474 759

Boori Care Instructions

Congratulations and thank you for choosing Boori product(s). The furniture you have purchased is constructed from high quality materials for strength and durability. Here are some tips on how you can preserve its beauty for a long time.

1. Do not expose furniture to strong sunlight, direct heat sources, extreme changes in temperature or moisture.
2. Wipe up spills immediately with a soft, clean cloth.
3. Urine spills on furniture can cause discolouration.
4. Clean furniture by wiping the surface with a soft cloth dampened with water.
5. If necessary clean furniture using a mild soap solution and wipe clean with a soft cloth dampened with water and then dry with soft clean cloth.
6. Do not use strong household cleaners.
7. Always wipe in the direction of the grain in the wood do not wipe in a circular motion.
8. Avoid contact with sharp objects, or containers containing hot liquid.
9. Avoid contact with 'rubber feet' on items such as radios, computers, telephones etc. Use a felt mat (not plastic) to protect furniture surfaces.
10. Do not open more than one drawer at a time.
11. When moving furniture do not drag, always lift and place in position.

Boori Warranty (“this Warranty”)

All Boori Collection products (“Boori Products”) (including mattresses) carry a full five (5) year manufacturer’s warranty (“Warranty Period”) to the end-purchaser (“the Customer”) as testimony to the quality and longevity of the range. This warranty excludes general wear & tear and damage caused, by the Boori Product not being used in accordance with its instructions or the care instructions. During this Warranty Period Boori Australia Pty Ltd (ABN 76 104 474 759) (“Boori”) will replace or repair any defective part. In the event of a Boori Product being replaced, as a whole unit or part thereof during the Warranty Period, the warranty on the replacement will expire five (5) years from the original purchase date.

This guarantee excludes accidental damage, misuse and or improper transporting and handling.

The warranty is void if the original Boori Product has been altered in design or colour in anyway.

All warranty claims must be lodged:

- 1. at the place of original purchase as set out on your receipt for purchase of the Boori Products or you may contact Boori on 9833 3769 to obtain further details;and**
- 2. together with a proof of purchase.**

Where the Customer makes a claim pursuant to this Warranty, all expenses incurred in sending the Boori Products to Boori are the Customer's responsibility.

Boori's liability in respect of a breach of a consumer guarantee or any warranty made under this Warranty for any Boori Products not of a kind ordinarily acquired for personal, domestic or household use is limited, in relation to the Boori Products to the extent permissible by law and at it's option to:

1. replacing the Boori Products or the supply of equivalent Boori Products;
2. the repair of the Boori Products;
3. the payment of the cost of replacing the Boori Products or of acquiring equivalent goods; or
4. the payment of the cost of having the Boori Products repaired.

To the extent permitted by law, all other warranties whether implied or otherwise, not set out in this Warranty are excluded and Boori is not liable in contract, tort (including, without limitation, negligence or breach of statutory duty) or otherwise to compensate the Customer for:

1. any increased costs or expenses;
2. any loss of profit, revenue, business, contracts or anticipated savings;
3. any loss or expense resulting from a claim by a third party; or
4. any special, indirect or consequential loss or damage of any nature whatsoever caused by the Customer's failure in complying with its obligations.

Limitations on Warranty Disclaimers

In the following paragraph, 'Our' means 'Boori', 'You' means 'the Customer' and 'goods' means 'Boori Products':

Our goods come with guarantees that cannot be excluded under the Australian Consumer Law. You are entitled to a replacement or refund for a major failure and for compensation for any other reasonably foreseeable loss or damage. You are also entitled to have the goods repaired or replaced if the goods fail to be of acceptable quality and the failure does not amount to a major failure.

The benefits given to the Customer in this Warranty are in addition to other rights and remedies under a law in relation to the Boori Products to which this warranty applies.

Assembly instructions

NOTE: Use only spare parts approved by the manufacturer

FOR AUSTRALIA AND NEW ZEALAND

(AS/NZS 2172:2013)

RECOMMENDED MATTRESS SIZE 1320mm X 700mm X 120mm

This cot has been manufactured for use with a mattress which measures 700mm wide by 1320mm long and a maximum thickness of 120mm. The width and length are specified because it is important that the gaps between the mattress sides and ends of the cot will not exceed 40mm. This is to minimise the risk of a child's limb becoming caught in the gap. The thickness of the mattress has been specified to ensure that the depth of the cot is greater than 500mm with the mattress base in the lower position to minimise the risk of a child climbing or falling out of the cot.

Warning:

- * **TO ENSURE THE SAFETY OF YOUR COT, REGULARLY CHECK ALL THE CONNECTING BOLTS AND GLIDE PINS MAKING SURE THEY ARE TIGHT.**
- * **TO PREVENT FALLS OR SUFFOCATION THE MAXIMUM MATTRESS THICKNESS SHOULD NOT EXCEED 120MM.**
- * **TO PREVENT FALLS, THE MATTRESS BASE OF THIS COT SHOULD BE ADJUSTED TO THE LOWEST POSITION BEFORE THE CHILD CAN SIT UP.**
- * Follow the manufacturer's assembly instructions in detail to ensure the safety features of the cot are not compromised.
- * Ensure the cot is placed at a reasonable distance from curtains, blinds, heaters and power points.
- * Keep cot free of any toys, cushions etc that could be used as a foothold or present a danger of suffocation or strangulation.
- * Keep medication, String, elastic or small items such as money out of reach from any position in the cot.

FOR THE UK

(EN 716:2008+A1:2013)

RECOMMENDED MATTRESS SIZE 1320mm X 700mm X 120mm

If you leave the child unattended in the cot, always make sure that the dropside is in the highest position.

This cot has been manufactured for use with a mattress which measures 700mm wide by 1320mm long and a maximum thickness of 120mm. The width and length shall be such that the gap between the mattress and the sides and ends does not exceed 30mm. The thickness of the mattress has been specified to ensure that the depth of the cot is greater than 500mm with the mattress base in the lower position and 200mm with the mattress in the highest position to minimise the risk of a child climbing or falling out of the cot.

Warning:

- * **TO ENSURE THE SAFETY OF YOUR COT , REGULARLY CHECK ALL THE CONNECTING BOLTS AND GLIDE PINS MAKING SURE THEY ARE TIGHT, CARE SHOULD BE TAKEN THAT NO SCREWS ARE LOOSE BECAUSE A CHILD COULD TRAP PARTS OF THE BODY OR CLOTHING (EG. Strings, necklaces, ribbons for babies dummies), WHICH WOULD POSE A RISK OF STRANGULATION.**
- * **TO PREVENT FALLS, THE MAXIMUM MATTRESS THICKNESS SHOULD NOT EXCEED 120MM.**
- * **TO PREVENT FALLS, THE MATTRESS BASE OF THIS COT SHOULD BE ADJUSTED TO THE LOWEST POSITION BEFORE THE CHILD CAN SIT UP.**
- * **TO PREVENT INJURY FROM FALLS THAT WHEN THE CHILD IS ABLE TO CLIMB OUT OF THE COT, THE COT SHALL NO LONGER BE USED FOR THAT CHILD.**
- * Be aware of the risk of open fire and other sources of strong heat, such as electric bar fires, gas fires, etc. in the near vicinity of the cot.
- * Do not use the cot if any part is broken, torn or missing and use only spare parts approved by the manufacturer.
- * Do not leave anything in the cot or place the cot close to another product, which could provide a foothold or present a danger of suffocation or strangulation, e.g. strings, blind/curtain cords, etc.
- * Do not use more than one mattress in the cot.

Warning:

(BS 8509:2008+A1:2011)

- * The child's bed conforms to BS 8509:2008 +A1:2011
- * Recommended mattress size 1320mm x 700mm x 120mm
- * Cot bed is Suitable for a child from 18months to 4years old.
- * Do not place this child's bed near heat sources, windows and other furniture.
- * Do not use this child's bed if any part is broken, torn or missing and use only spare parts approved by BOORI AUSTRALIA PTY LTD.
- * The bed is designed to be dismantled for storage or transportation;
- * All assembly fittings should always be tightened properly and checked periodically;
- * Children are likely to play, bounce, jump and climb on beds, therefore the child's bed should not be placed too close to other furniture or windows, blind cords, curtain pulls or other strings or cords, and should be placed either tight to any wall or have a gap of 300mm between the wall and the side of the bed.