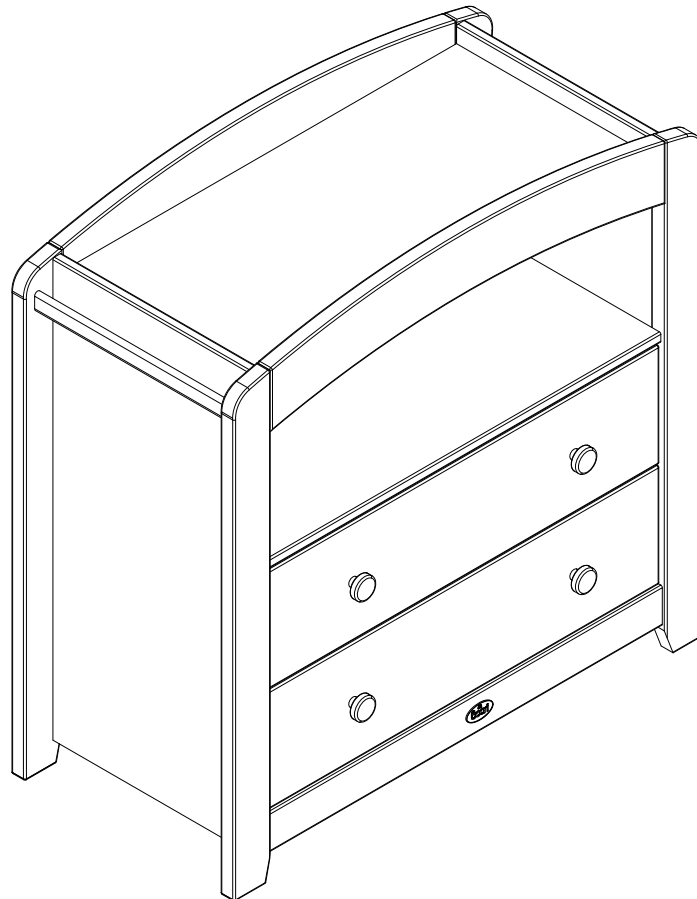


Boori

Universal



Curved 2 drawer chest changer



IMPORTANT:
PLEASE READ THE INSTRUCTIONS CAREFULLY
AND KEEP FOR FUTURE REFERENCE

Boori Australia Pty Ltd
 18-20 Charles Street
 St. Marys Sydney NSW
 2760 Australia
 Tel: +61 2 9833 3769
 Fax: +61 2 9673 4240
 www.boori.com.au

Boori (Europe) Ltd
 Unit 1 Riverside House,
 Mill Lane, Newbury,
 Berkshire, RG 14 5QS UK
 Tel: +44 016 3529 5670
 Fax: +44 016 3587 7552
 www.boori.co.uk

Halim & Boori Company
 10F. Halim INT'L B/D, #1674-4,
 Seocho-Dong, Seocho-Gu,
 Seoul, Korea
 Tel: +82 2598 1470
 Fax: +82 2583 8885
 E-mail : ted@boori.co.kr
 Postal code: 137-725.

ブーリジャパン株式会社
 〒141-0031
 東京都品川区西五反田
 7-22-17 TOCビル5F
 TEL:03-6420-0024
 EMAIL:info@boori.co.jp
 HP:www.boori.jp

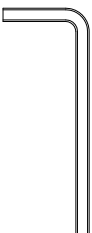


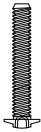
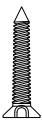

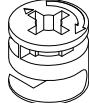


上海薇奈莎商贸有限公司
 上海市青浦区徐泾镇华徐公路577号
 VEG微格创意园A8-10室
 邮编: 201702
 电话: +86 21 5296 6600
 传真: +86 21 5296 6636
 网址: www.boori.com.cn

Universal Curved 2 drawer chest changer (B-CU2DC)

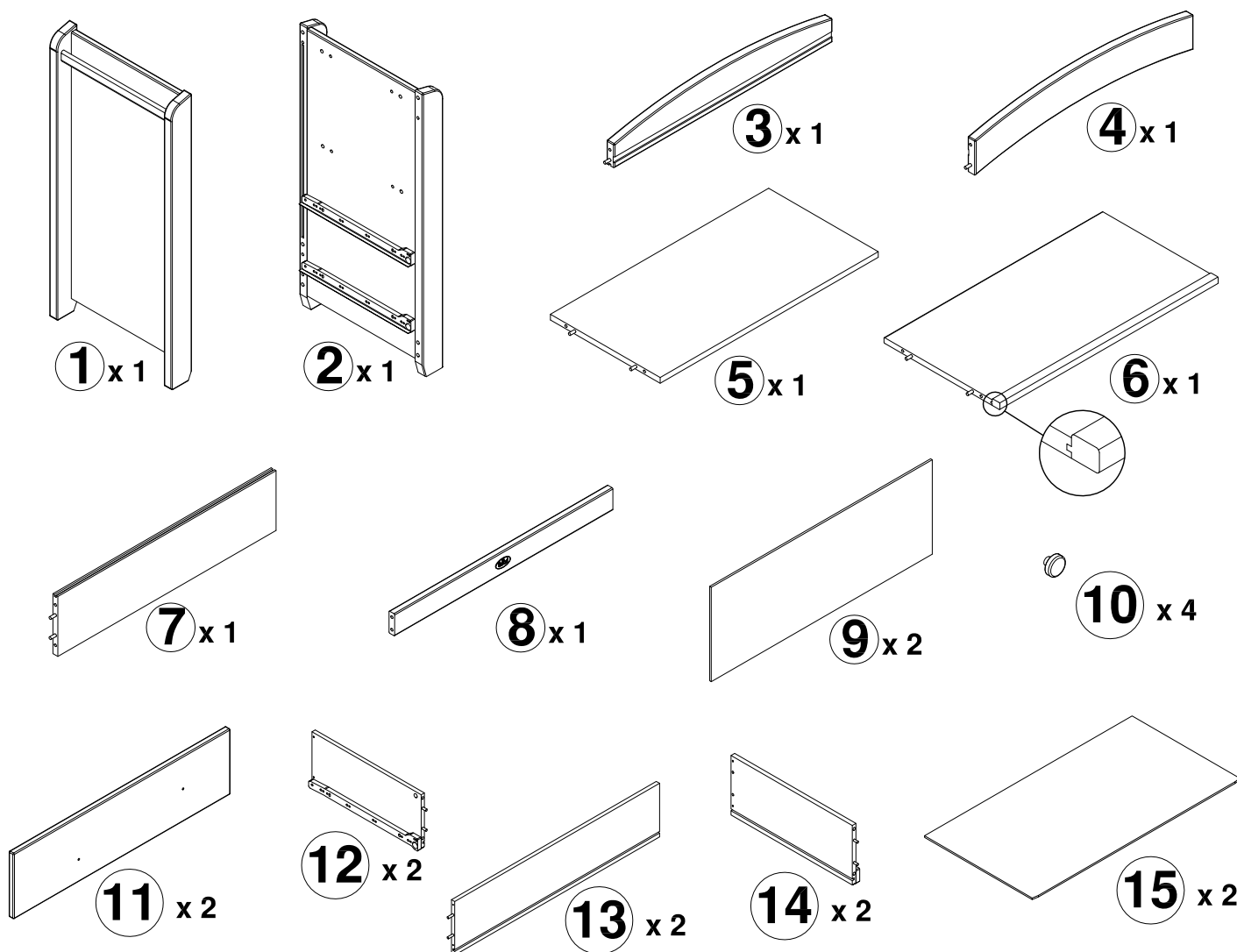
Dimensions : 940*452*952mm

Main Materials: Australia Araucaria, MDF

Hardware

A x 1	B x 8	C x 8	D x 4	E x 8	F x 20	G x 20	H x 1	L x 1
								
			M4*30mm	Ø4*30mm			M5*16mm	

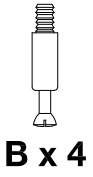
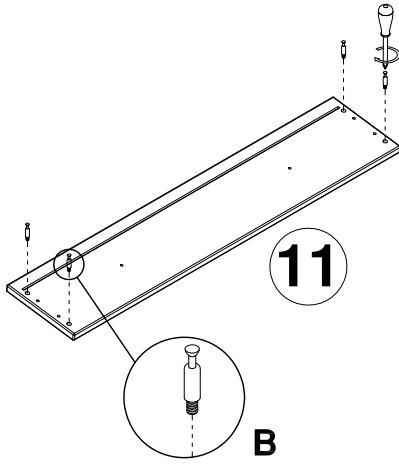
Parts List



NOTE: Use only spare parts approved by the manufacturer.

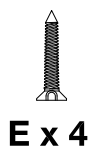
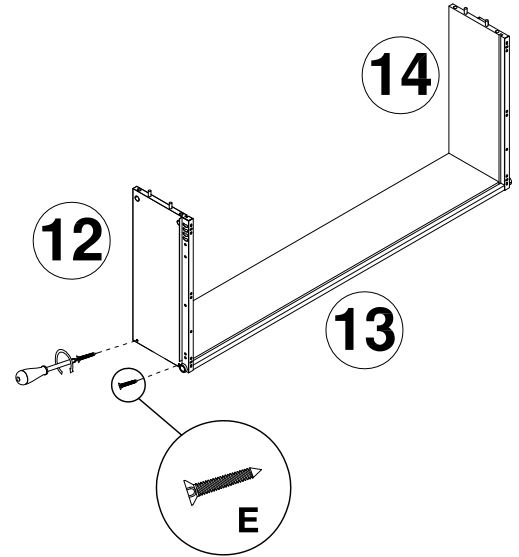
Assembly

1



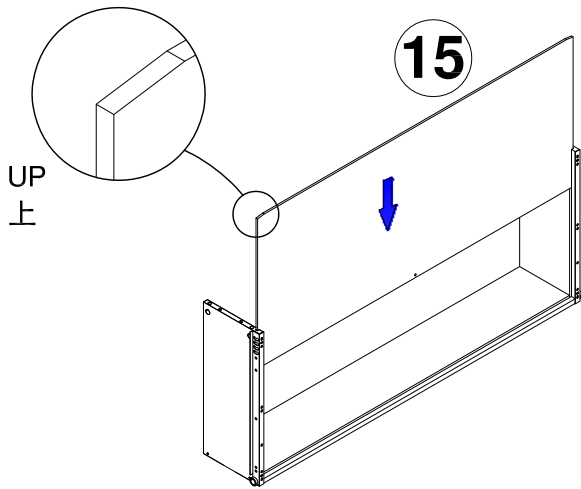
B x 4

2

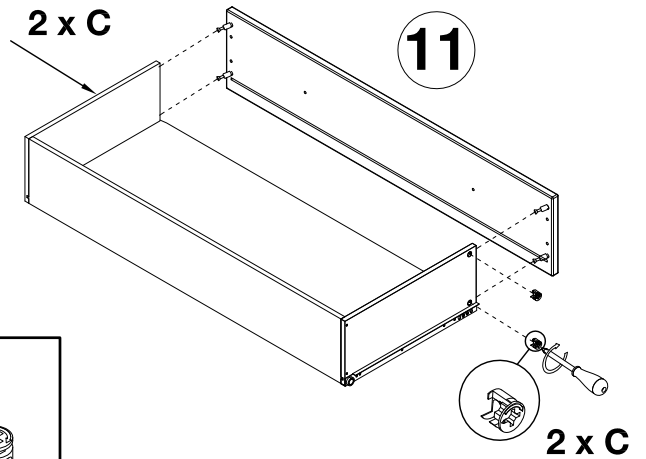


E x 4

3



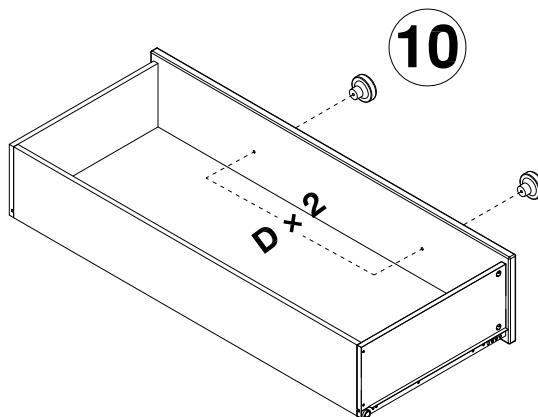
4



C x 4

5

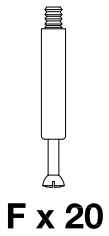
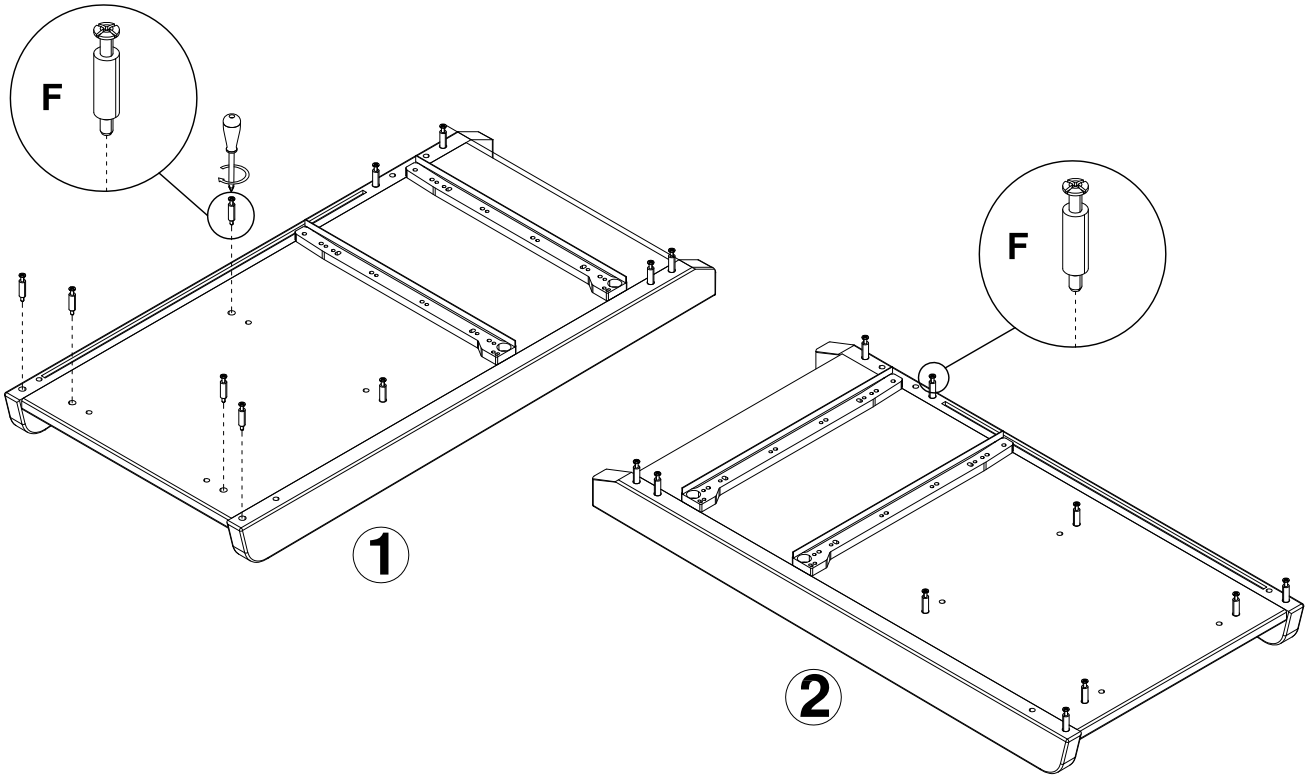
⚠ Assemble the other Drawers in the same way.



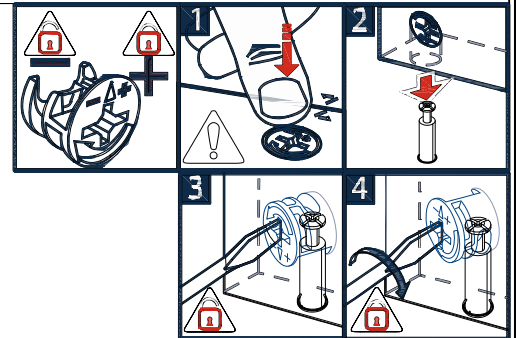
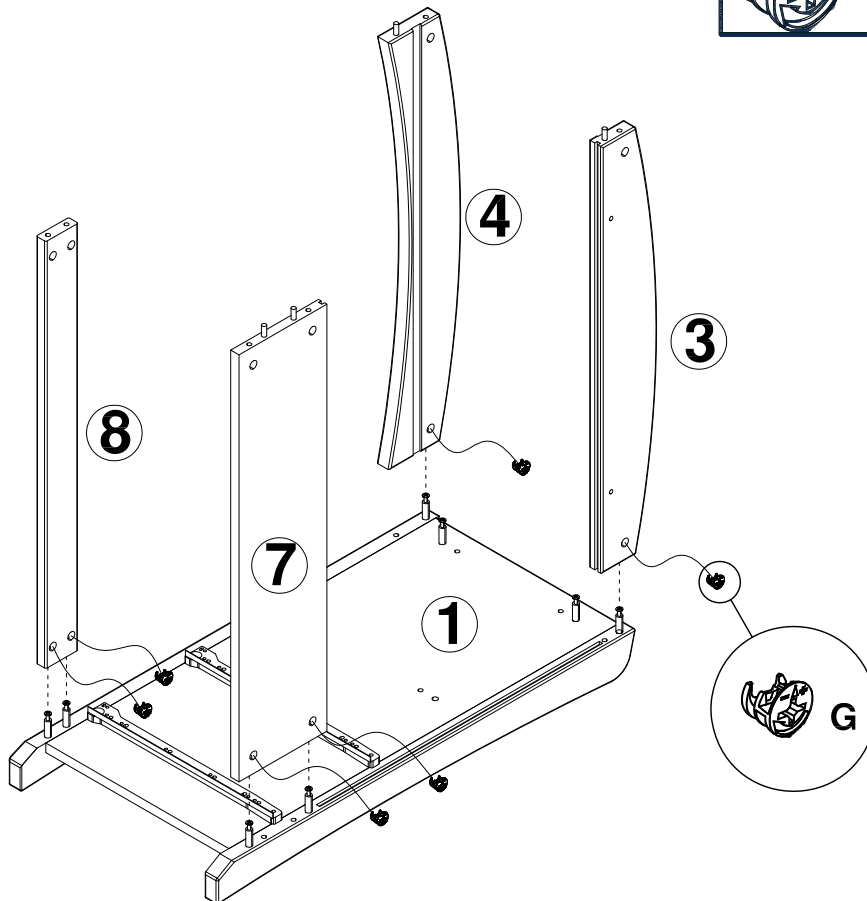
D x 2

Assembly

6

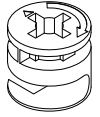
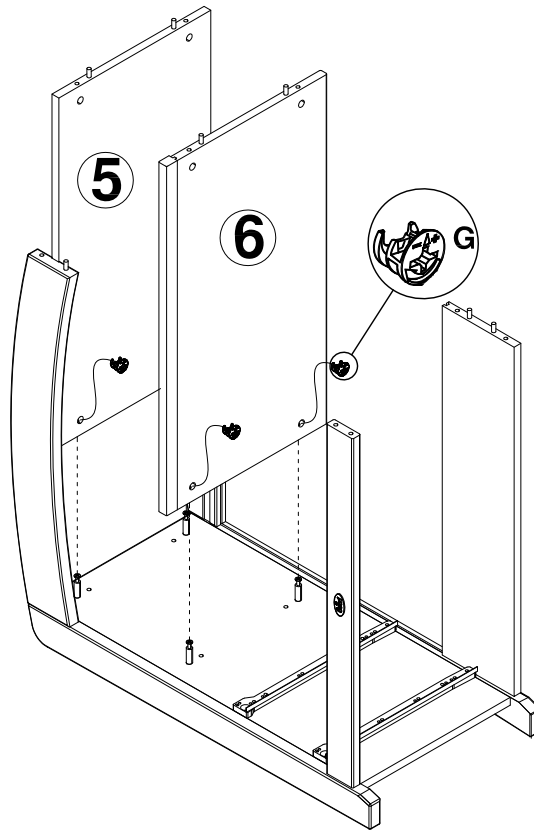


7



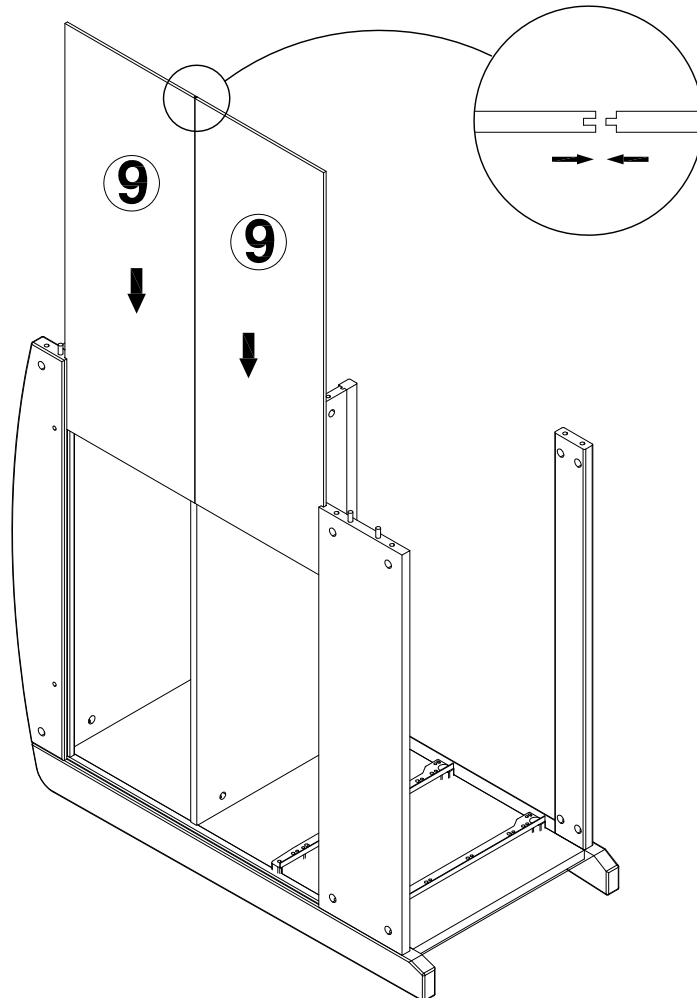
Assembly

8



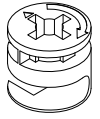
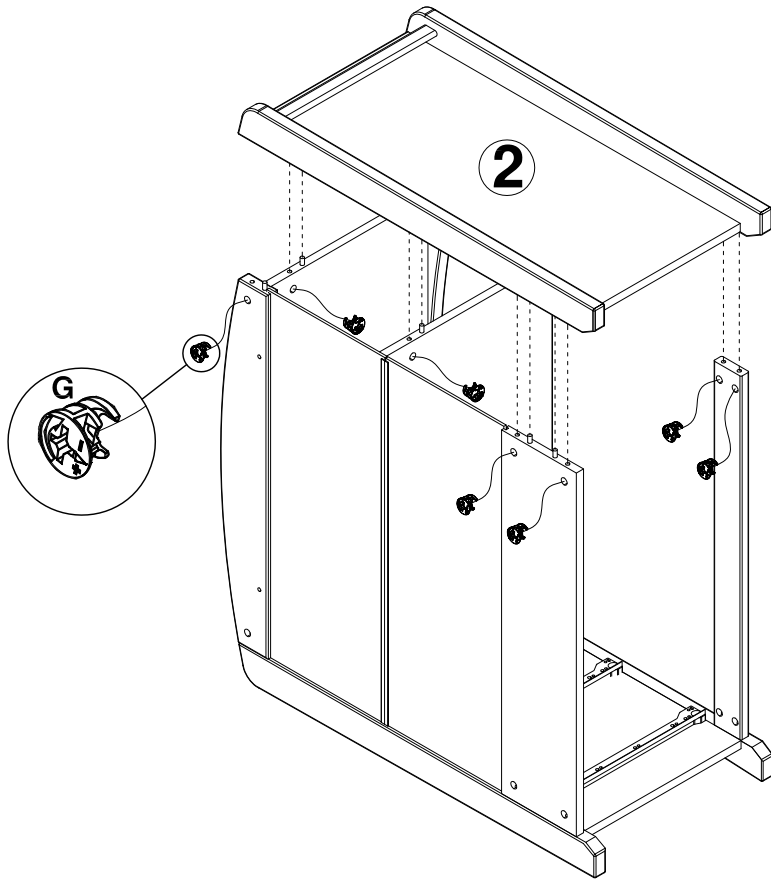
G x 4

9



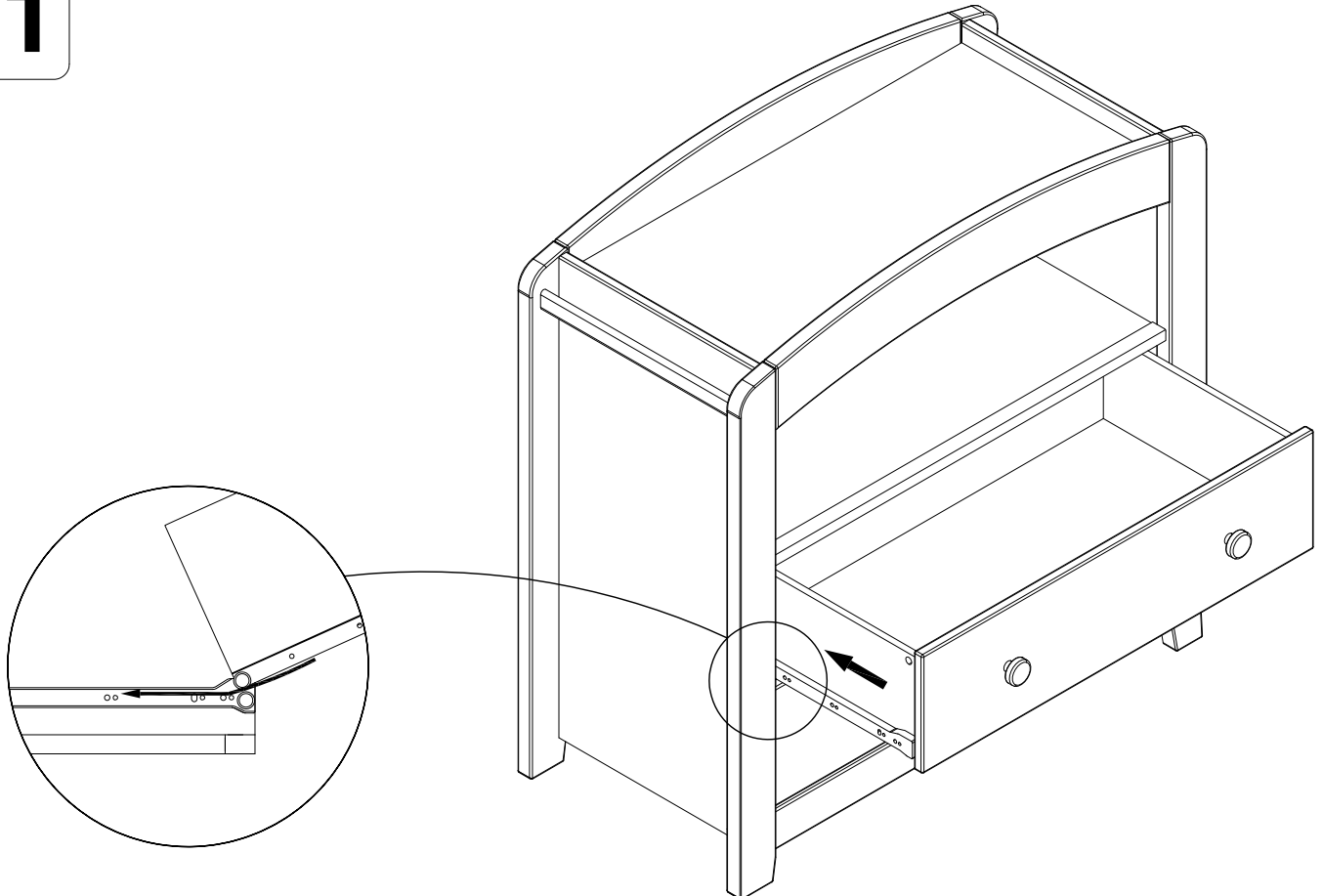
Assembly

10



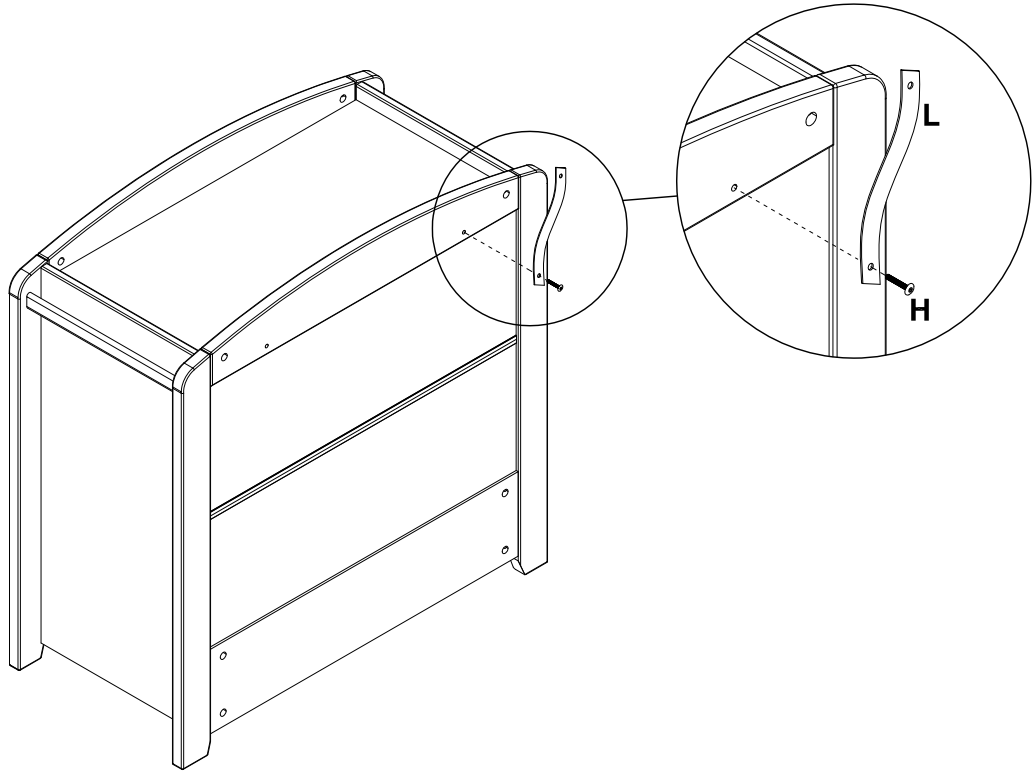
G x 10

11



Assembly

12

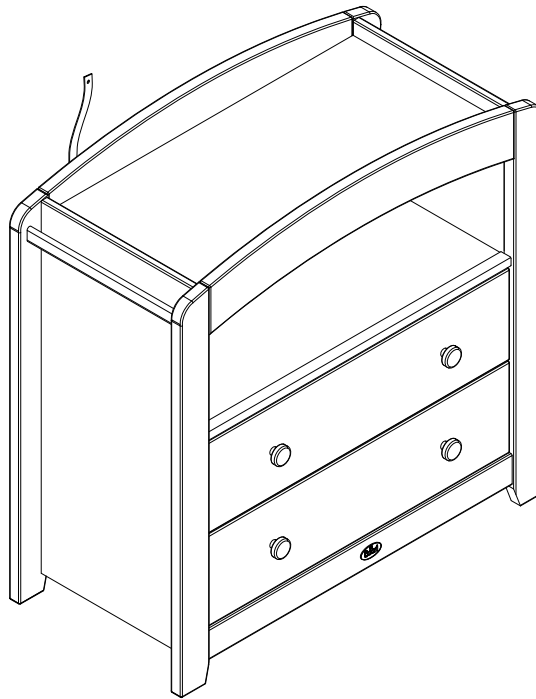


H x 1



L x 1

13



Note: The assembled furniture must be placed adjacent to the wall and fixed to the wall using the appropriate screw for that wall type. If you are in any doubt about the correct type of fitting to use, please seek professional advice.