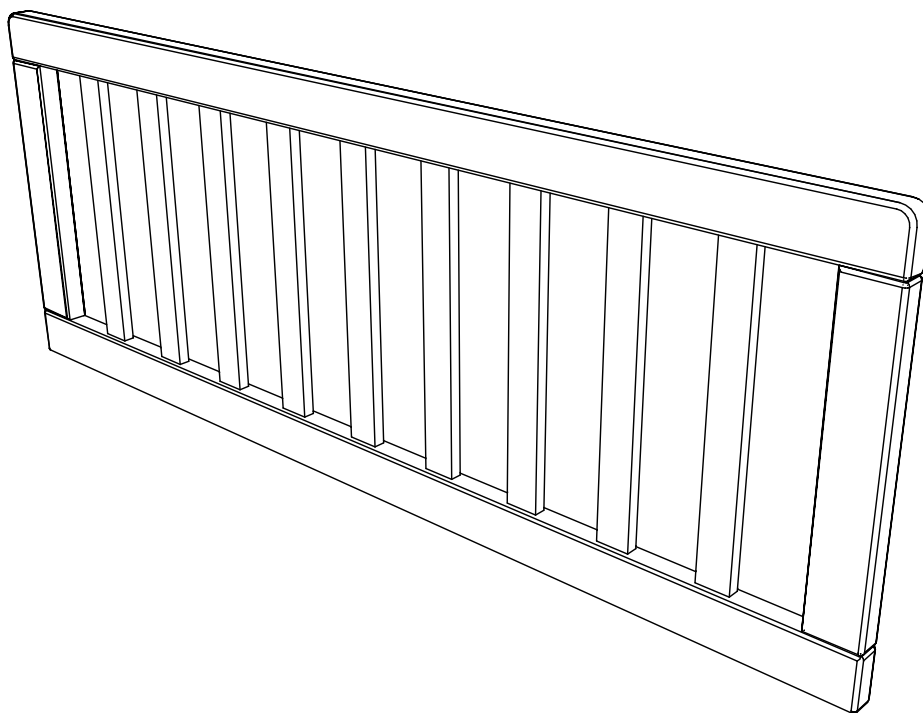




# Convertible Plus™ Toddler Guard Rail

## Assembly Instructions



**IMPORTANT:**  
PLEASE READ THE INSTRUCTIONS CAREFULLY  
AND KEEP FOR FUTURE REFERENCE



**IMPORTANT: THE ASSEMBLY OF THIS PRODUCT REQUIRES TWO PEOPLE  
READ ALL INSTRUCTIONS BEFORE ASSEMBLY AND USE OF THE PRODUCT.**

Boori Australia Pty Ltd  
18-20 Charles Street  
St. Marys Sydney NSW  
2760 Australia  
Ph: 61 2 9833 3769  
Fax: 61 2 9673 4240  
www.boori.com.au

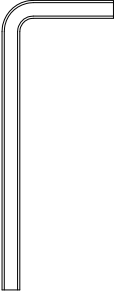
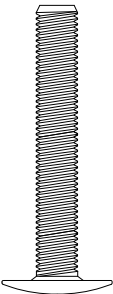
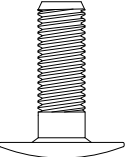
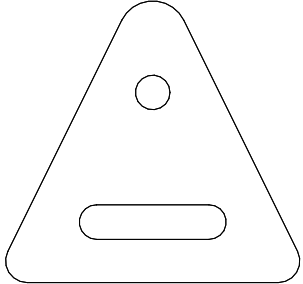
Boori (Europe) Ltd  
Unit 1, Transigo  
Gables Way  
Thatcham, Berkshire,  
RG19 4JZ  
Ph: (44) 016 3529 5670  
Fax: (44) 016 3587 7552  
www.boori.co.uk

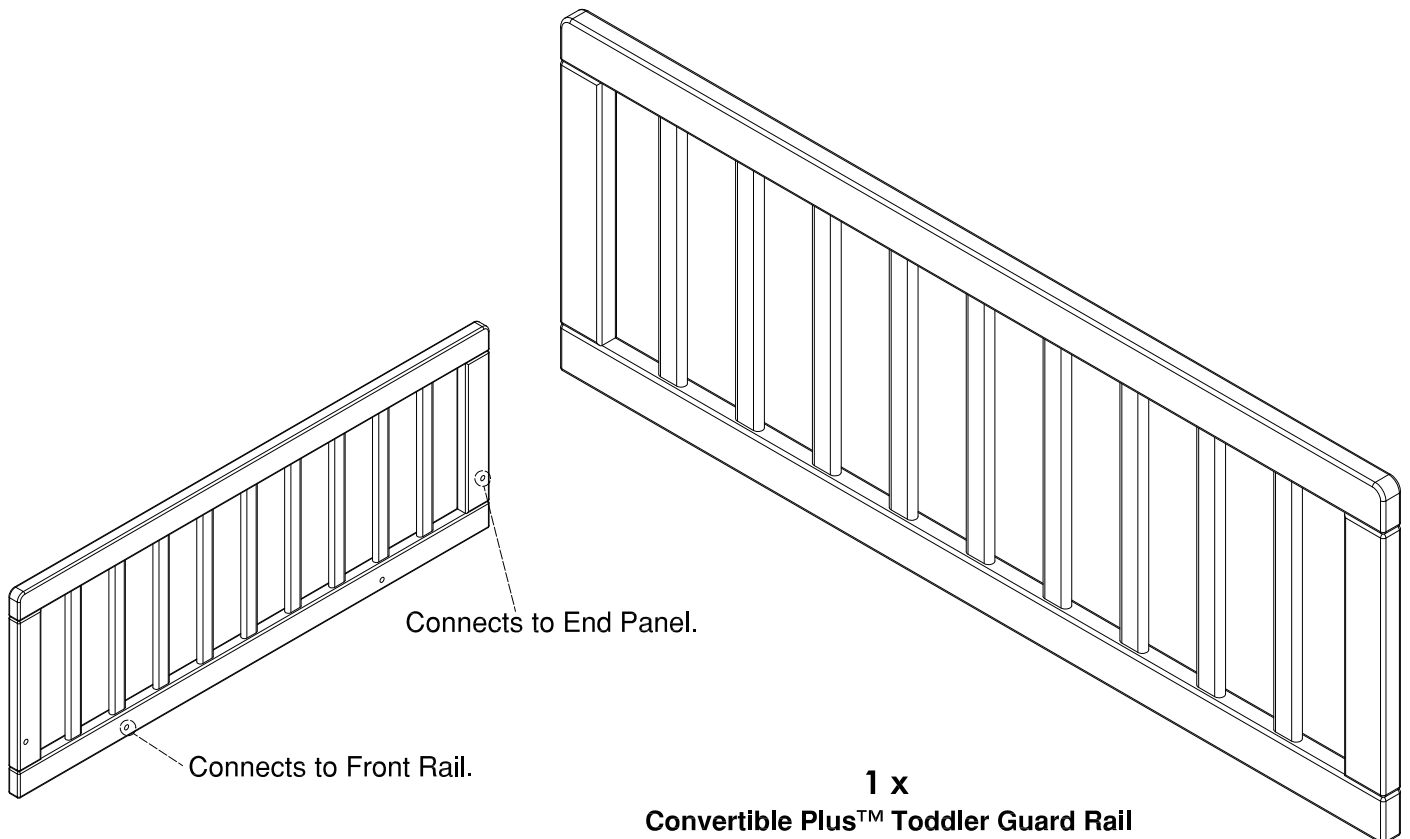
Halim & Boori Company  
10F. Halim INT'L B/D, #1674-4,  
Seocho-Dong, Seocho-Gu,  
Seoul, Korea  
Tel: +82-2-598-1470  
Fax: +82-2-583-8885  
E-mail : ted@boori.co.kr  
Postal code: 137-725.

ブーリジャパン(株)  
〒541-0057  
大阪府大阪市中央区北久宝寺町  
4-2-10  
Ph : 06-4963-3939  
Fax : 06-4963-3900  
E-mail : info@boori.co.jp

## Instructions for Convertible Plus™ Toddler Guard Rail(BP-CPTGR)

### Hardware and Parts List

|   |  |  |  |
|---|--|--|--|
| 1 x Allen Keys  | 1 X<br>M6*40mm<br>Connecting<br>bolts  | 2 X<br>M6*18mm<br>Connecting<br>bolts  | 1 x Connecting hardware  |
|  | <b>A</b>  | <b>B</b>  | <b>C</b>  |
|   | Actual size  |  |  |

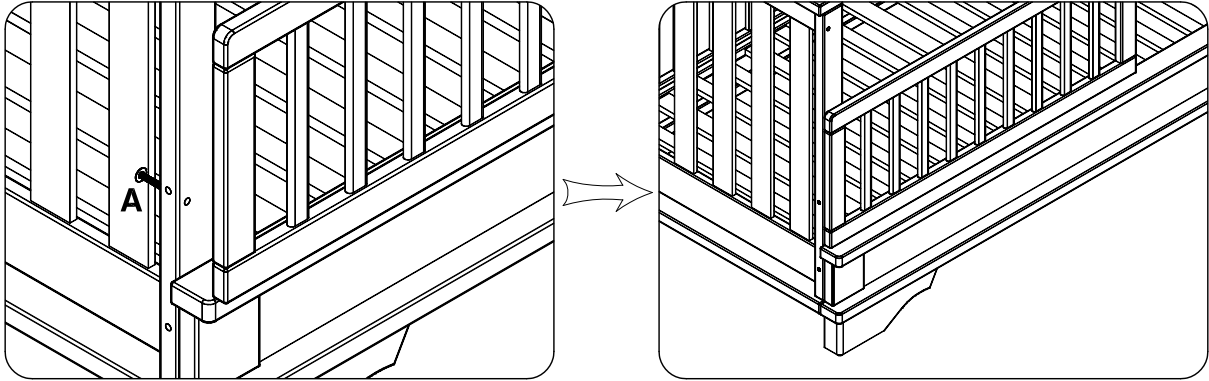


**NOTE:**

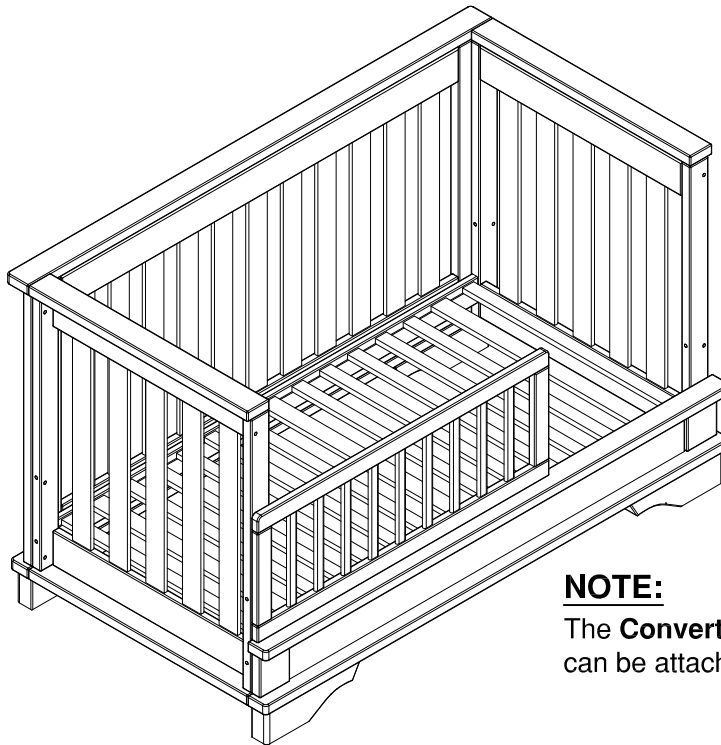
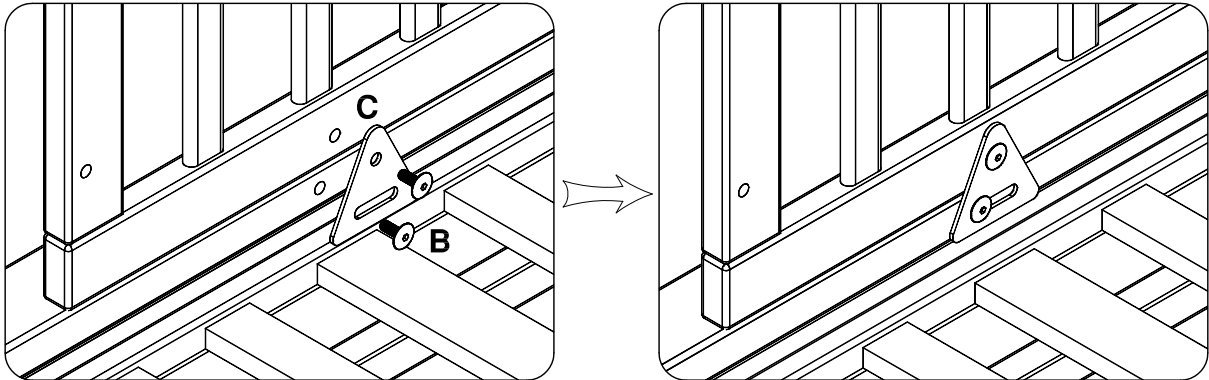
Holes face inward for correct assembly.  
Use only spare parts approved by the manufacturer.

# ASSEMBLY INSTRUCTIONS

**Step 1:** Connect **Convertible Plus™ Toddler Guard Rail** to the End Panel with the **1 X A**(40mm) connecting bolts provided. (Do not over tighten at this step).



**Step 2:** Connect **Convertible Plus™ Toddler Guard Rail** to the Front Rail with the **2 X B**(18mm) connecting bolts and the **1 x C** connecting hardware provided. **Tighten all the connecting bolts.**



**NOTE:**

The **Convertible Plus™ Toddler Guard Rail** can be attached to either End Panel.

**A x 1 B x 2 C x 1**

