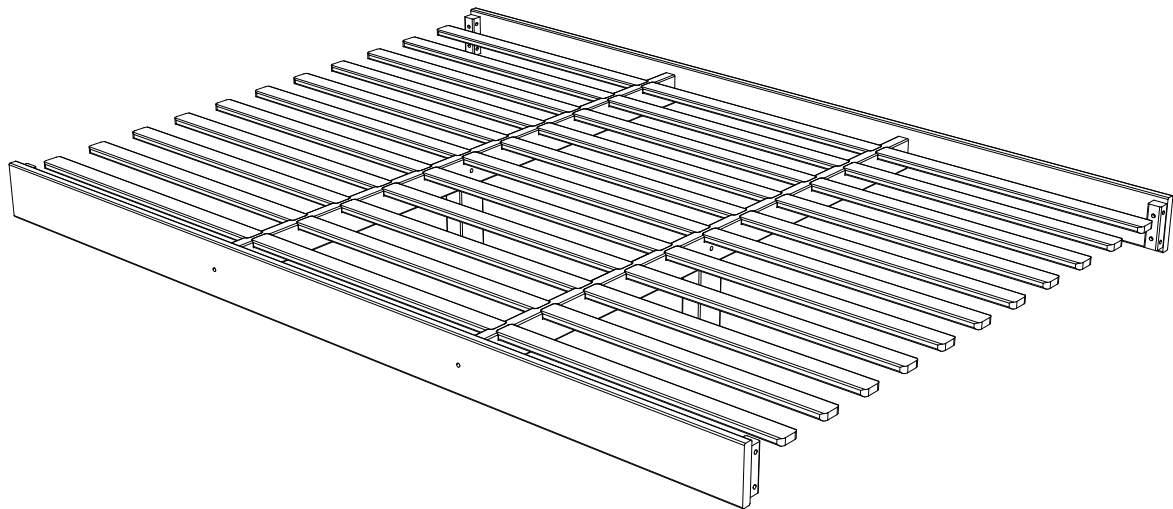


Boori

Universal



*Convertible Plus*TM Conversion Kit



IMPORTANT:
PLEASE READ THE INSTRUCTIONS CAREFULLY
AND KEEP FOR FUTURE REFERENCE



**IMPORTANT: THE ASSEMBLY OF THIS PRODUCT REQUIRES TWO PEOPLE
READ ALL INSTRUCTIONS BEFORE ASSEMBLY AND USE OF THE PRODUCT.**

Boori Australia Pty Ltd
18-20 Charles Street
St. Marys Sydney NSW
2760 Australia
Ph: 61 2 9833 3769
Fax: 61 2 9673 4240
www.boori.com.au

Boori (Europe) Ltd
Unit 1, Transigo
Gables Way
Thatcham, Berkshire,
RG19 4JZ
Ph: (44) 016 3529 5670
Fax: (44) 016 3587 7552
www.boori.co.uk

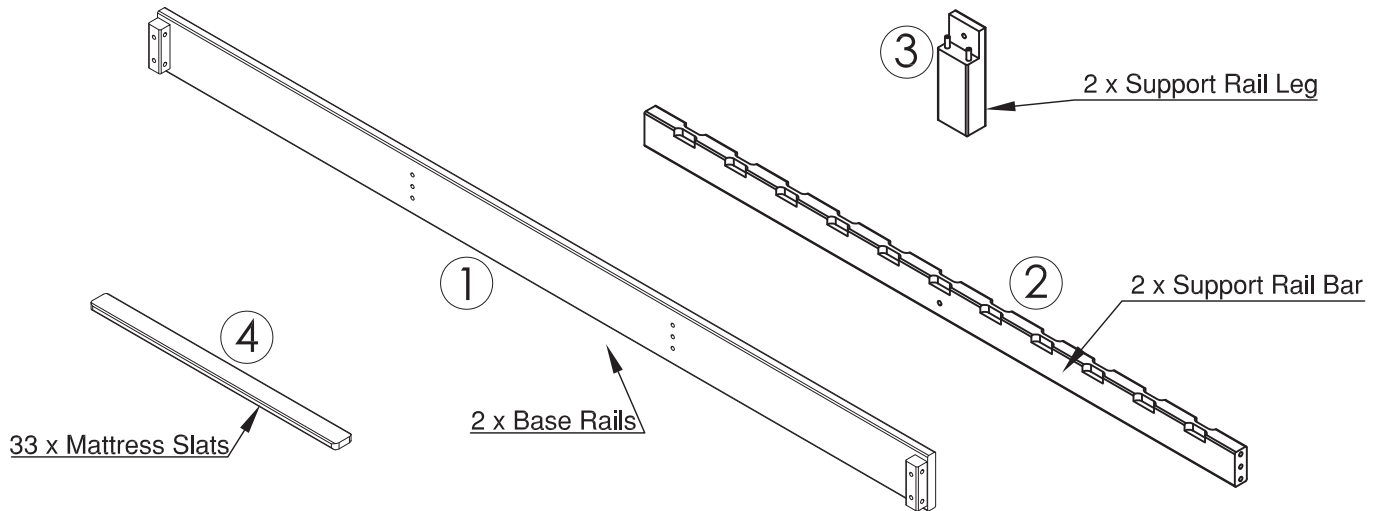
Halim & Boori Company
10F. Halim INT'L B/D, #1674-4,
Seocho-Dong, Seocho-Gu,
Seoul, Korea
Tel: +82-2-598-1470
Fax: +82-2-583-8885
E-mail: ted@boori.co.kr
Postal code: 137-725.

ブーリジャパン(株)
〒541-0057
日本国大阪府大阪市中央区北久
宝寺町4-2-10
Ph: 06-4963-3939
Fax: 06-4963-3900
E-mail: info@boori.co.jp

Instruction for Universal / Convertible Plus™ Conversion Kit (B-CPCK)

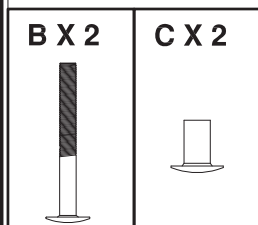
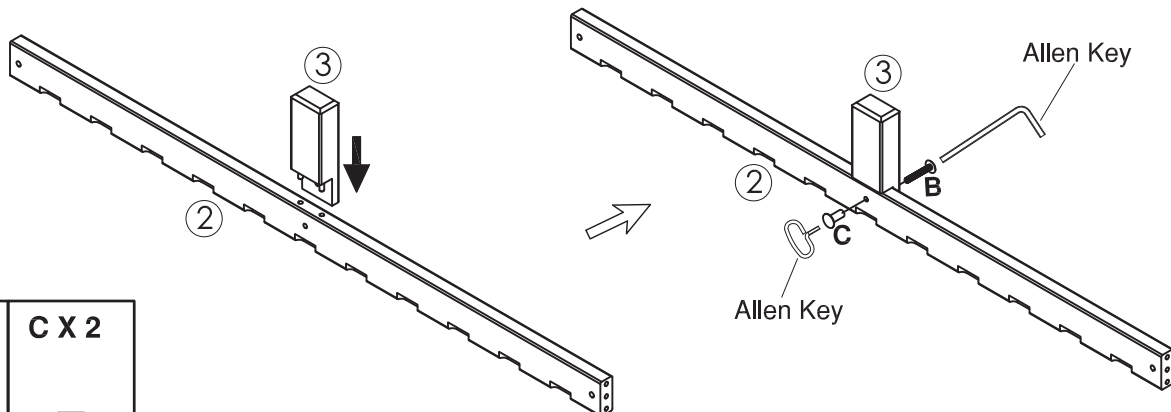
Hardware and Parts List

1 x Allen Keys	12 x M6 x 47mm Connecting bolts	2 x M6 x 40mm Connecting bolts	2 x M6 x 14mm Capping nuts
	A	B	C



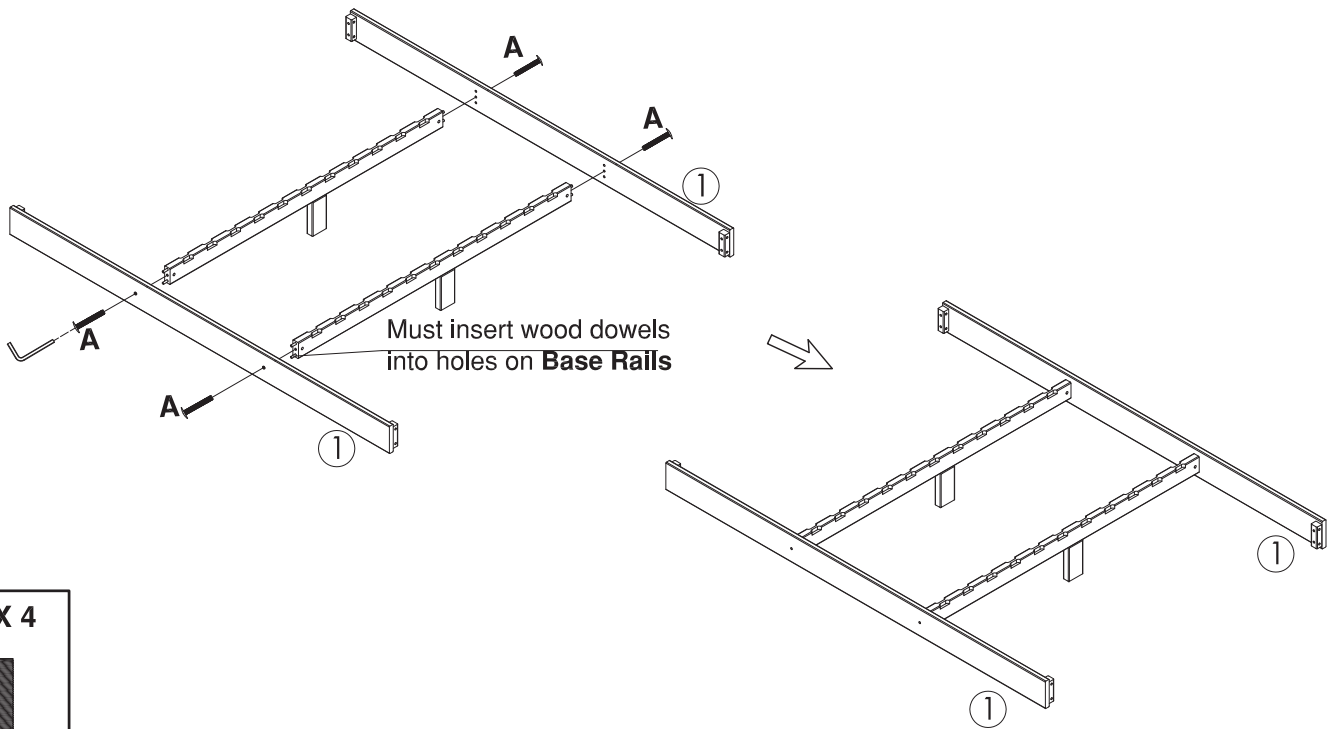
ASSEMBLY INSTRUCTIONS

Step 1: Connect two **Support Rail Leg** ③ to the **Support Rail Bar** with the 2 x **B** connecting bolts and 2 x **C** capping nuts provided.



ASSEMBLY INSTRUCTIONS

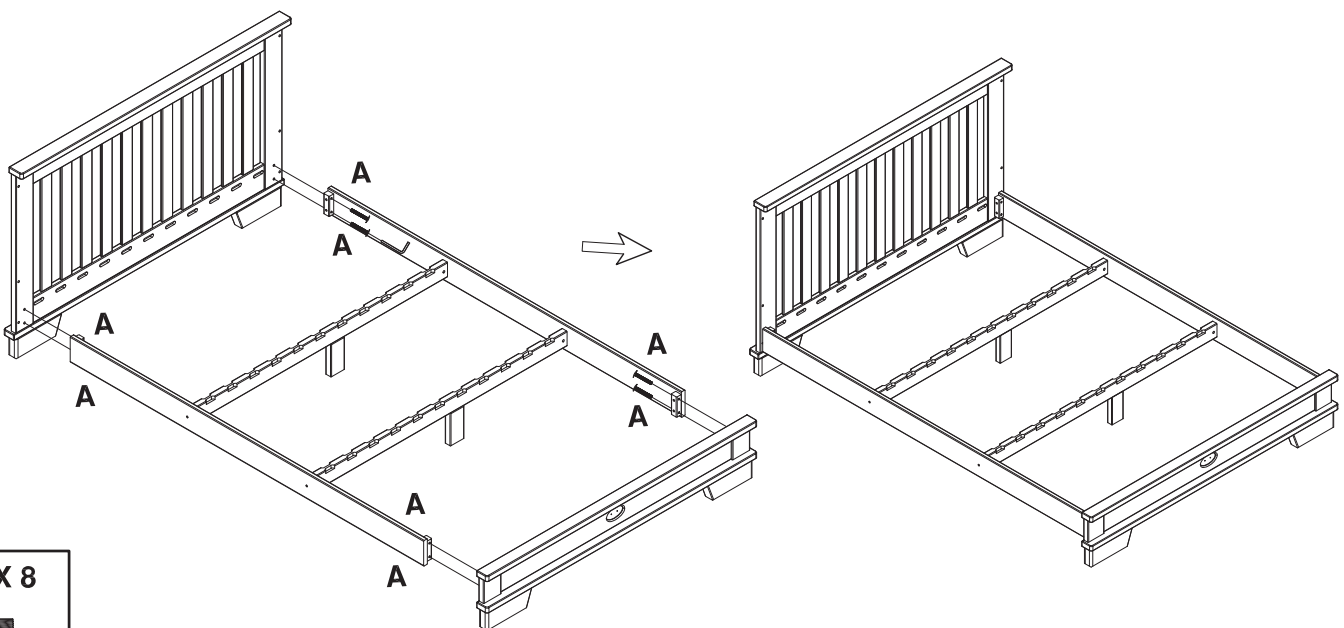
Step 2: Connect two **Support Rails** to the two **Base Rails** with the 4 × **A** connecting bolts provided.



A X 4



Step 3: Connect the assembled **Base** to the **Back panel** and **Front rail** with the 8 × **A** connecting bolts provided.



A X 8



ASSEMBLY INSTRUCTIONS

Step 4: Put on 33 x **Mattress Slats**④.

