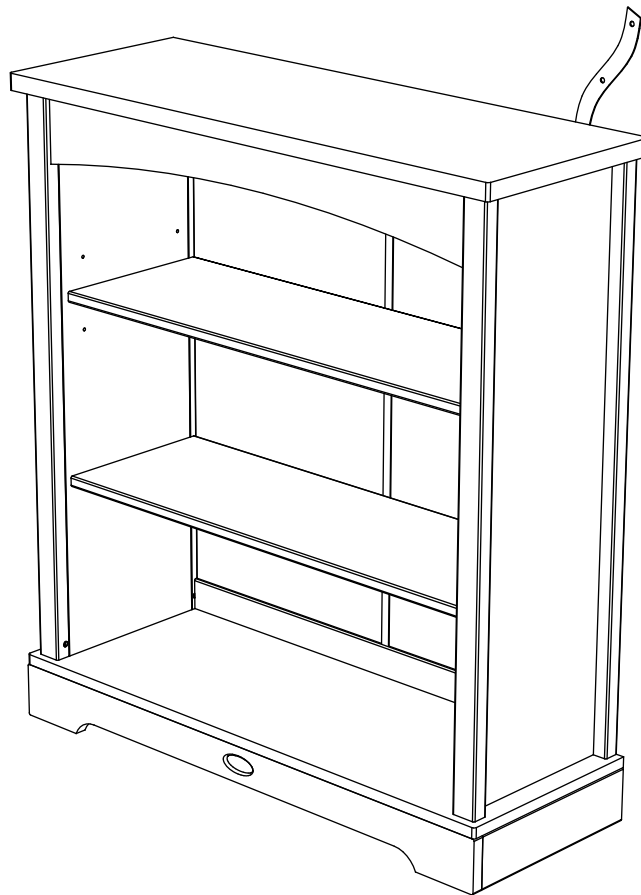


Boori

Universal



Bookcase Hutch



IMPORTANT:

**PLEASE READ THE INSTRUCTIONS CAREFULLY
AND KEEP FOR FUTURE REFERENCE**



**IMPORTANT: THE ASSEMBLY OF THIS PRODUCT REQUIRES TWO PEOPLE
READ ALL INSTRUCTIONS BEFORE ASSEMBLY AND USE OF THE PRODUCT.**

Boori Australia Pty Ltd
18-20 Charles Street
St. Marys Sydney NSW
2760 Australia
Ph: 61 2 9833 3769
Fax: 61 2 9673 4240
www.boori.com.au




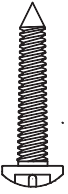
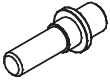



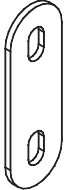
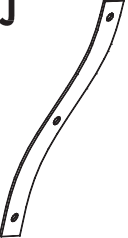
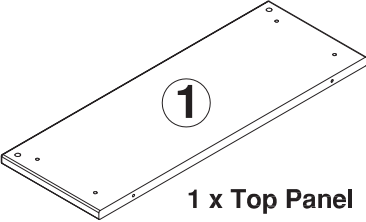
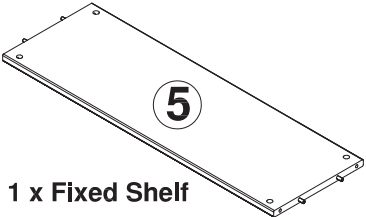
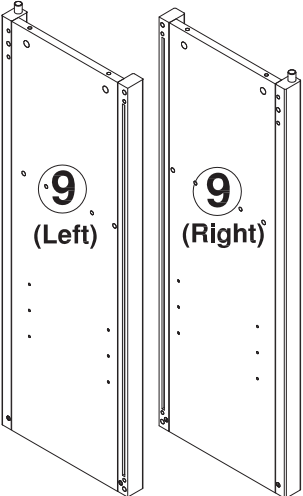

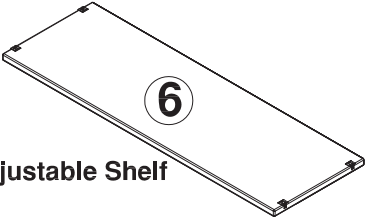

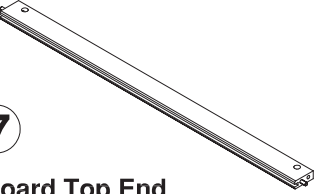
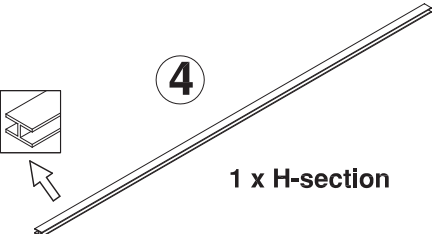
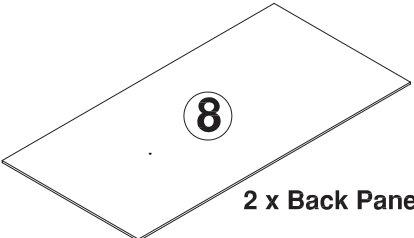
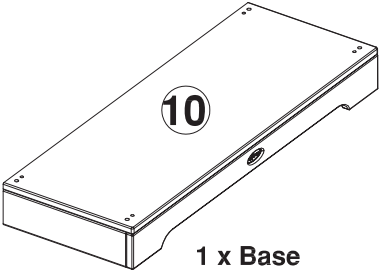
Boori (Europe) Ltd
Unit 1, Transigo
Gables Way
Thatcham, Berkshire,
RG19 4 JZ
Ph: (44) 016 3529 5670
Fax: (44) 016 3587 7552
www.boori.co.uk

Halim & Boori Company 10F.
Halim INT'L B/D, #1674-4,
Seocho-Dong, Seocho-Gu,
Seoul, Korea
Tel: +82-2-598-1470
Fax: +82-2-583-8885
E-mail : ted@boori.co.kr
Postal code: 137-725.

ブーリジャパン(株)
〒541-0057
大阪府大阪府中央区北久宝寺町
4-2-10
Ph : 06-4963-3939
Fax : 06-4963-3900
E-mail : info@boori.co.jp

Instructions for Boori Universal Bookcase Hutch (B-BH)

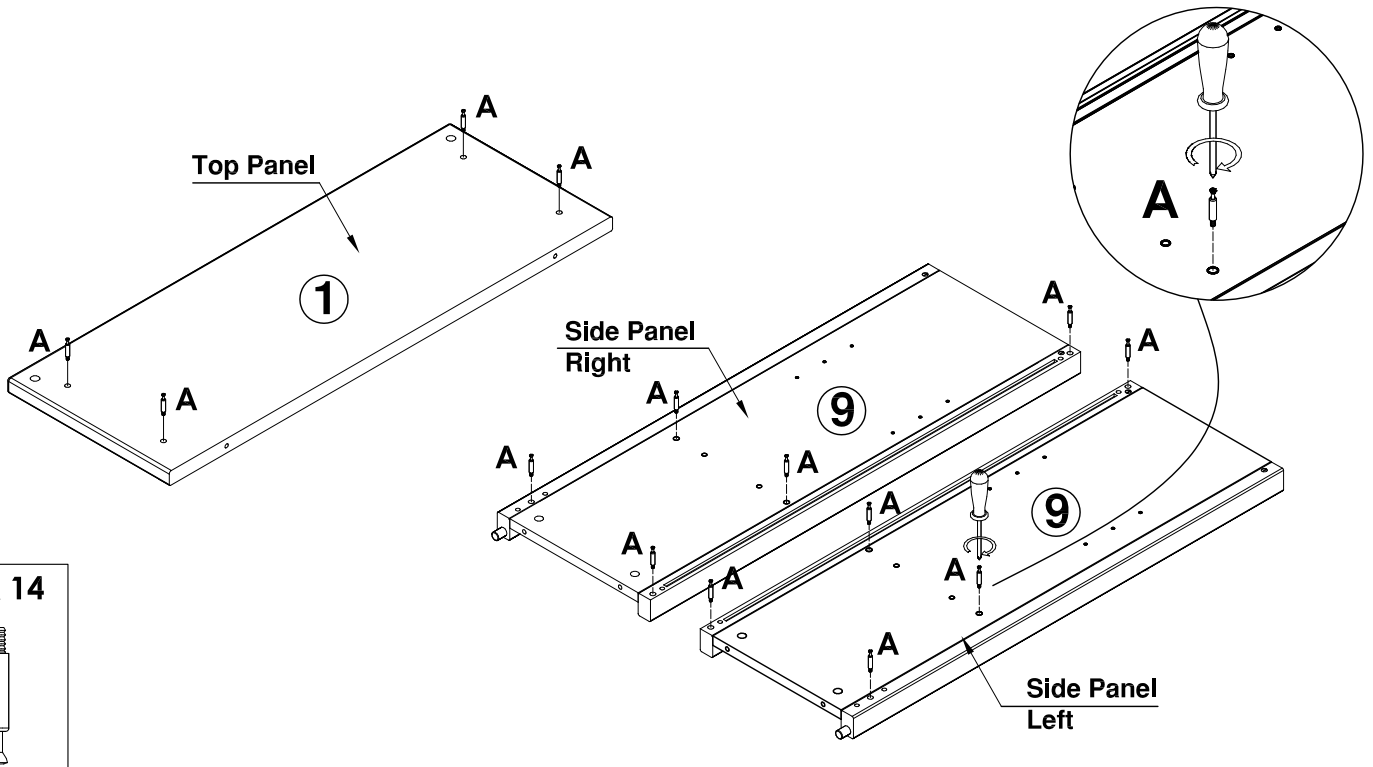
Hardware and Parts List

1 x Allen keys	14 x Connecting bolts	14 x Excenter fittings	2 x Self tapping screws	4 x Shelf supports	5 x M5*16mm Connecting bolts	4 x Wood dowels	4 x M6*60mm Connecting bolts	2 x Braces	1 x Wall strap
	A 	B 	C 	D 	E 	F 	G 	H 	J 
 1 x Top Panel			 1 x Fixed Shelf			 2 x Side Panels (Left & Right)			
 1 x Headboard			 1 x Adjustable Shelf						
 1 x Backboard Bottom End			 1 x Backboard Top End						
 1 x H-section			 2 x Back Panels			 1 x Base			

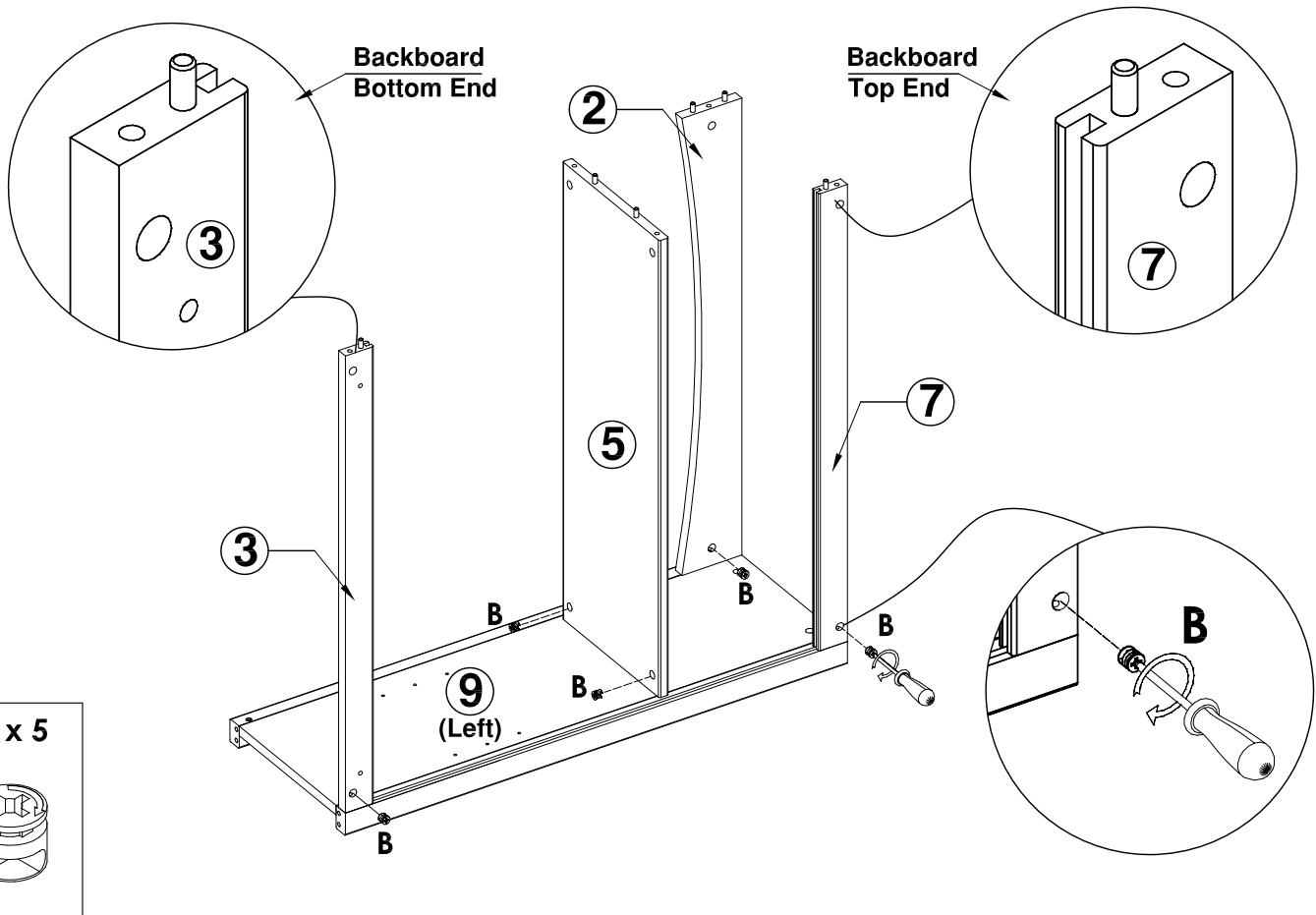
ASSEMBLY AS A BOOKCASE

Step 1: Preparation work:

Screw 14 x A connecting bolts firmly into the **Top Panel** (1) and the **Side Panels** (9).

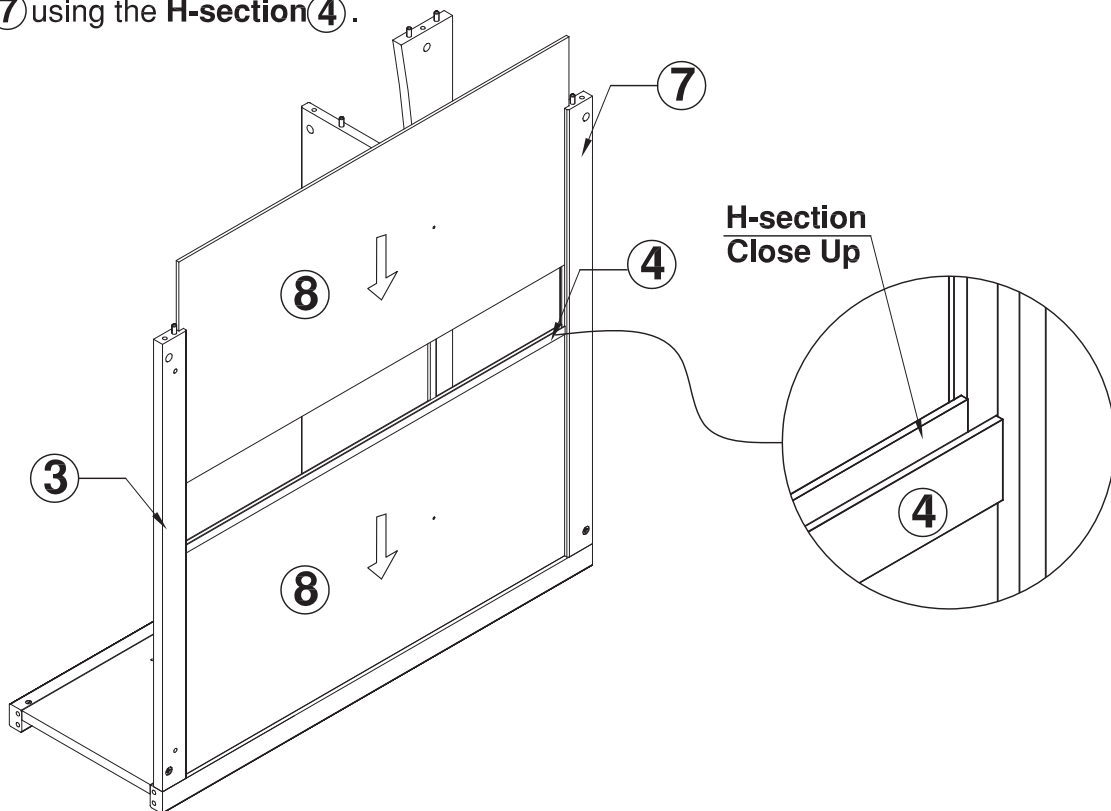


Step 2: Attach the Headboard (2), **Backboard Top End** (7), **Backboard Bottom End** (3) and **Fixed Shelf** (5) to the **Side Panel** (9) (Left) using 5 x B excenter fittings.

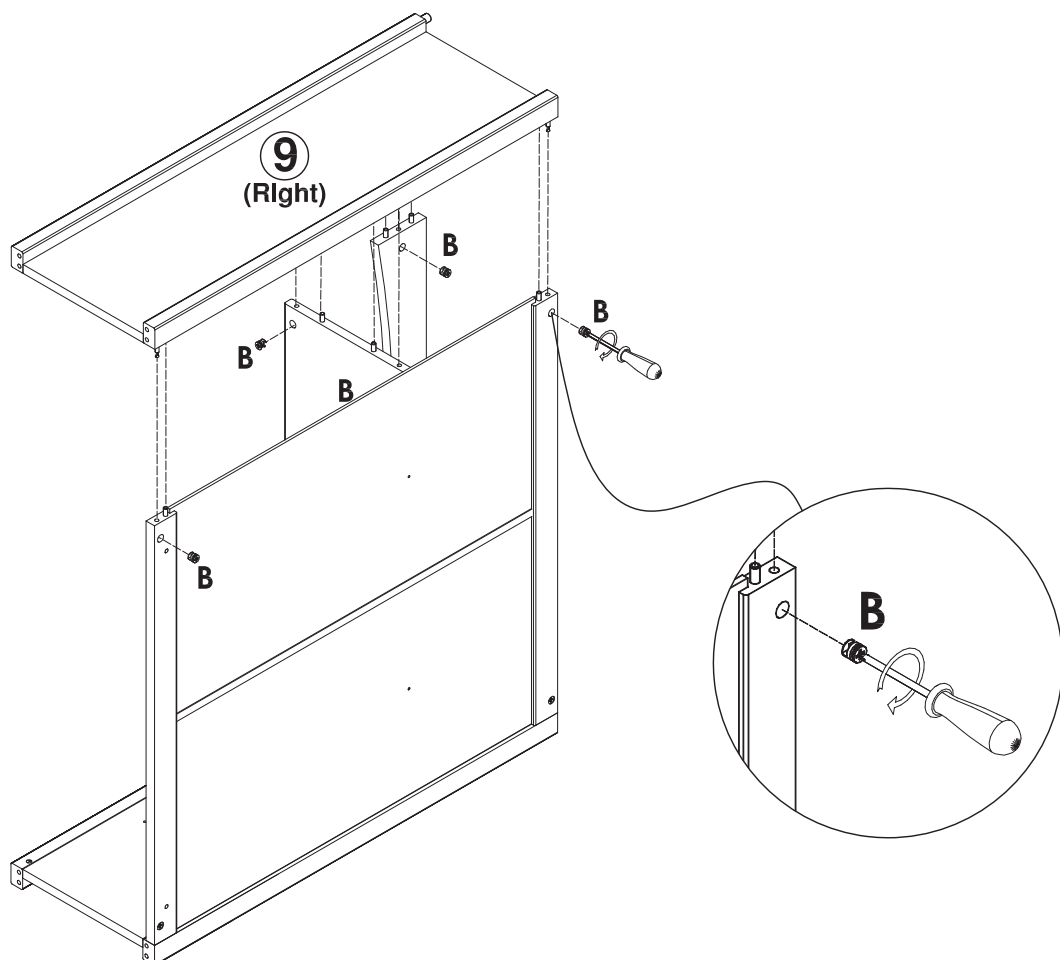


ASSEMBLY AS A BOOKCASE (CONTINUED)

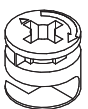
Step 3: Insert the **Back Panels** (8) into the **Backboard Bottom End** (3) and **Backboard Top End** (7) using the **H-section** (4).



Step 4: Attach the **Side Panel** (9) (**Right**) using 5 x B excenter fittings as shown.

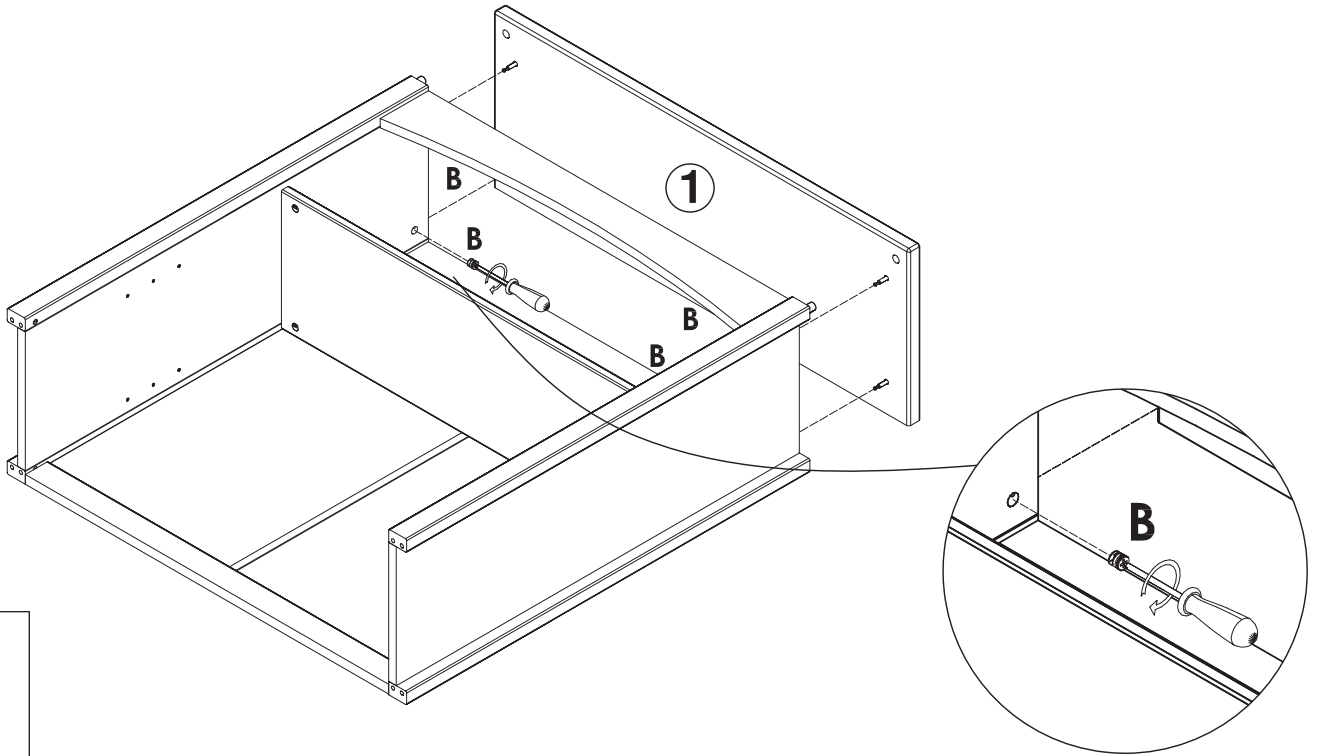


B x 5

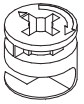


ASSEMBLY AS A BOOKCASE (CONTINUED)

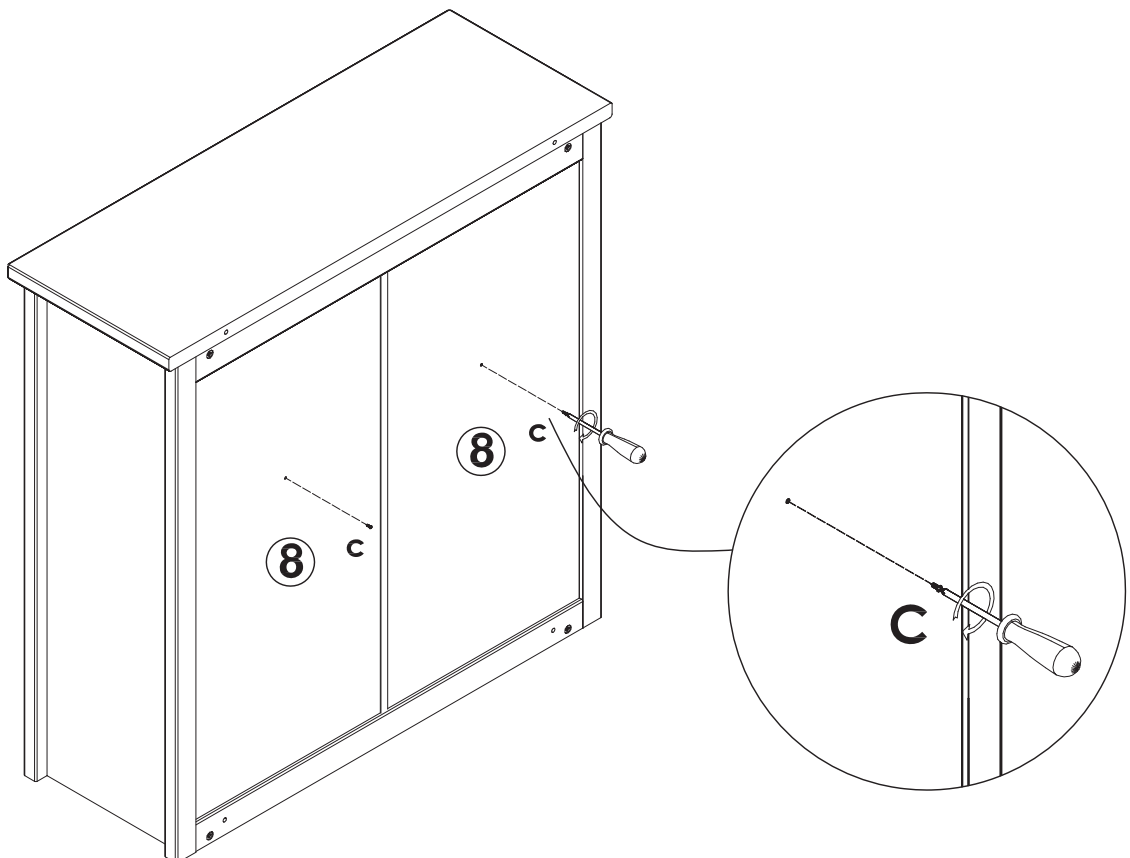
Step 5: Attach the **Top Panel 1** using **4 x B** excenter fittings.



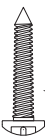
B x 4



Step 6: Attach the **Back Panels 8** using **2 x C** self tapping screws as shown.

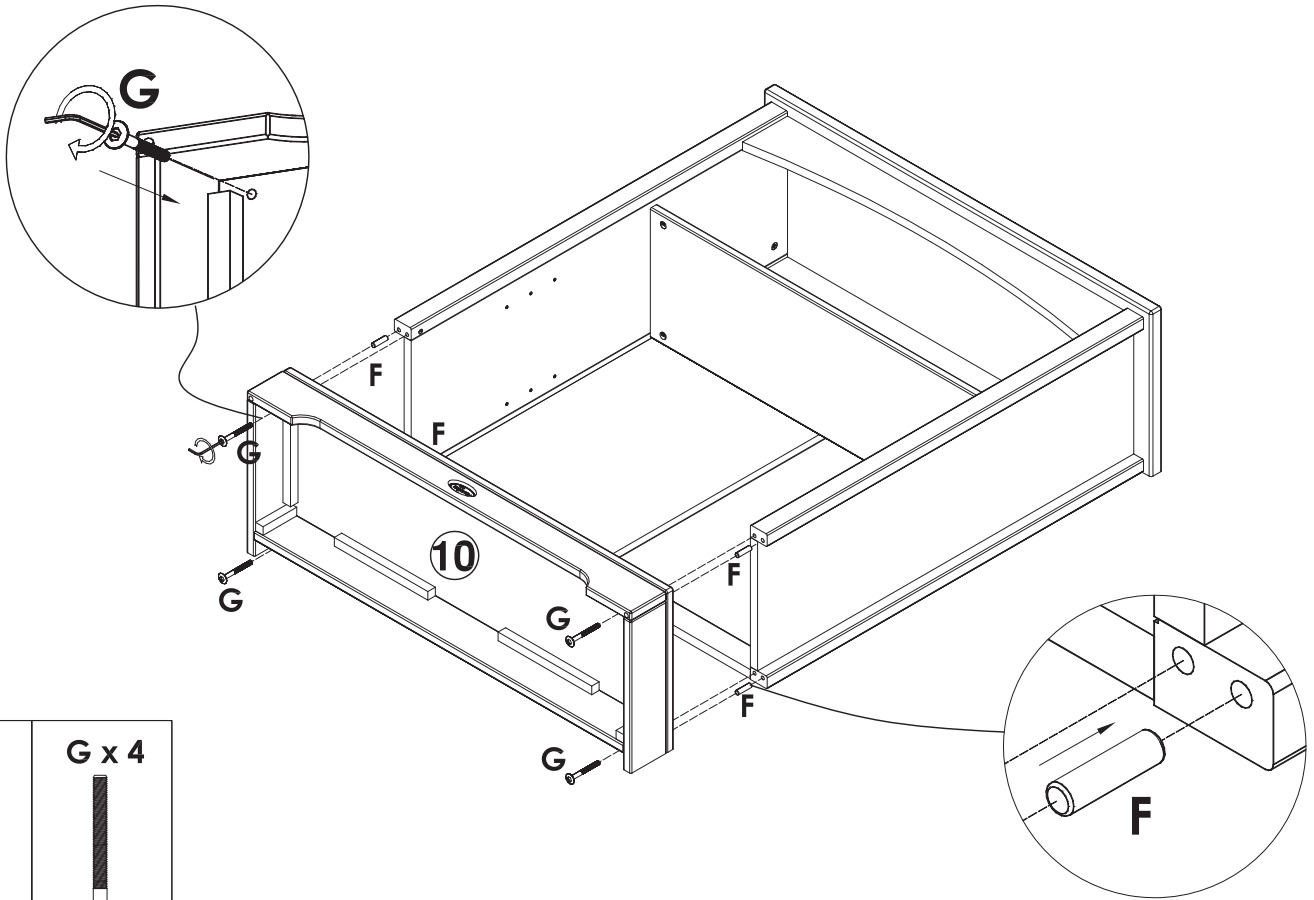


C x 2



ASSEMBLY AS A BOOKCASE (CONTINUED)

Step 7: Attach the **Base** 10 using 4 x (F+G) wood dowels and connecting bolts.

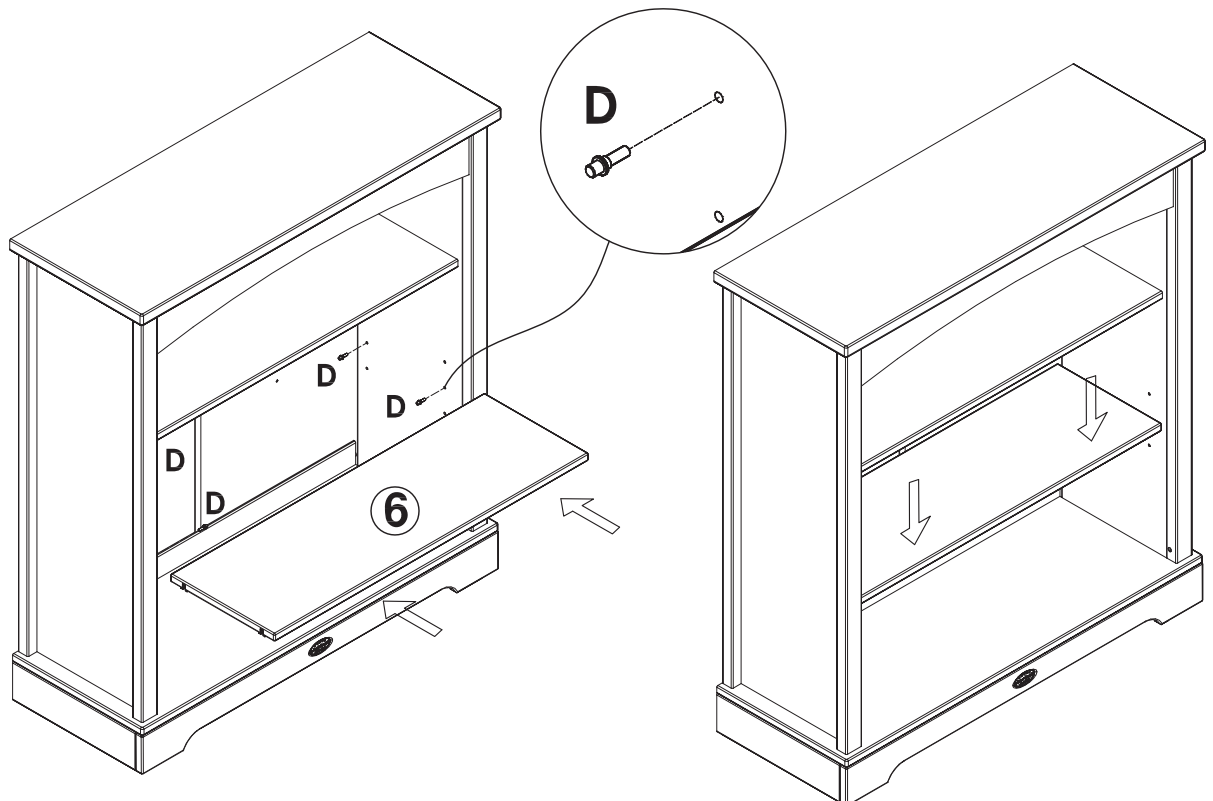


F x 4

G x 4



Step 8: Attach the **Adjustable Shelf** 6 using 4 x D shelf supports.



D x 4

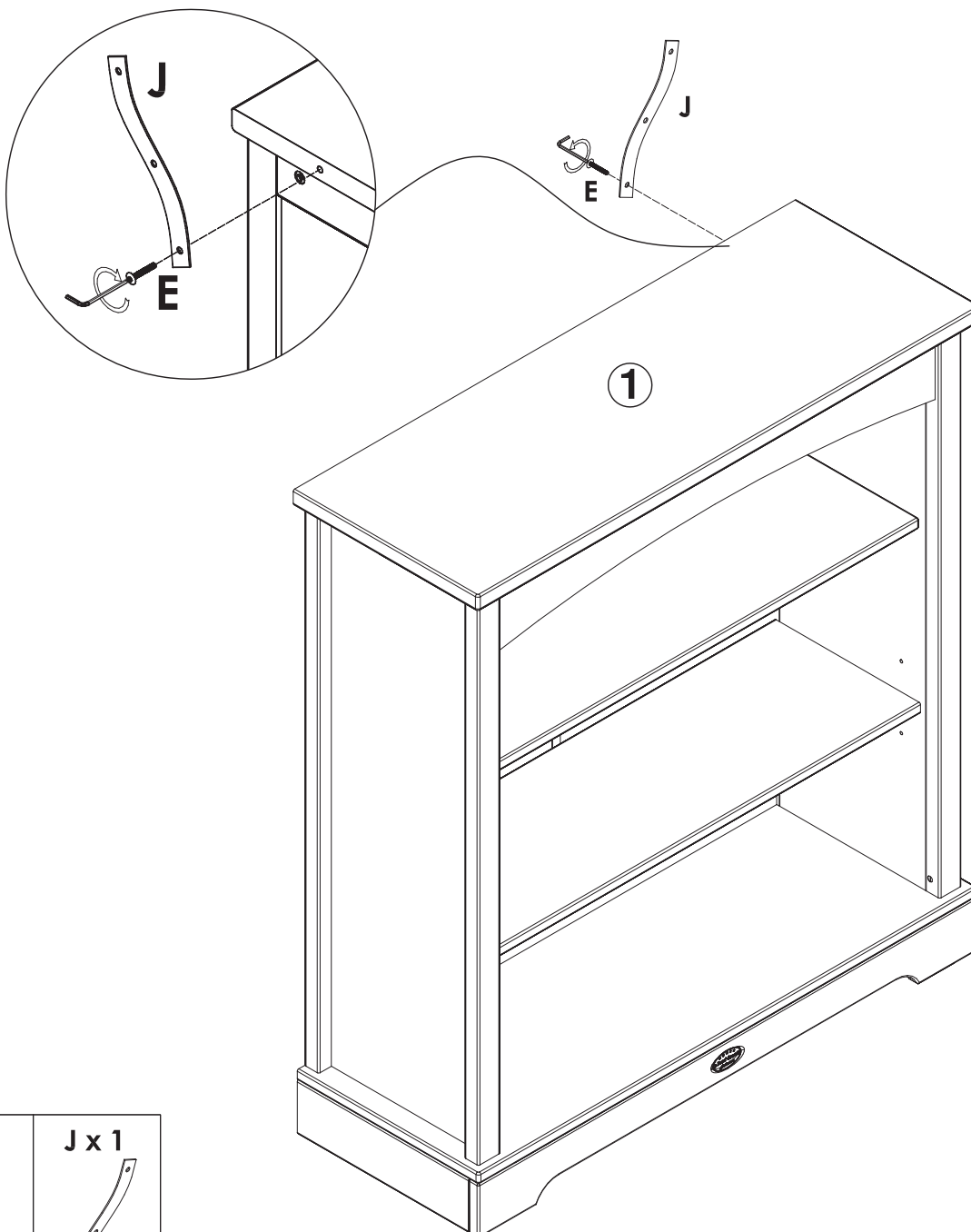


ASSEMBLY AS A BOOKCASE (CONTINUED)

Step 9: Attach the Wall strap:

Note:

- Attach **J** to the rear edge of the **Top Panel ①** using **1 x E** connecting bolt, either to the left or right side of the **Top Panel ①**.
- The Wall strap is only intended to be used with the Boori product that it is supplied with.
- Never attempt to modify or change the Wall strap in any way
- Never use any other fittings for attaching the strap to your furniture other than those supplied.
- Never use the screw provided to attach the Wall strap to the wall, as no wall attachment fittings are supplied. This is because the type of fittings required to attach the wall strap to the chosen wall is determined by the walls composition.
- If you are in any doubt about the correct type of fittings to use when attaching your Wall strap, consult a professional before attempting to fix it to the wall for your safety.



E x 1

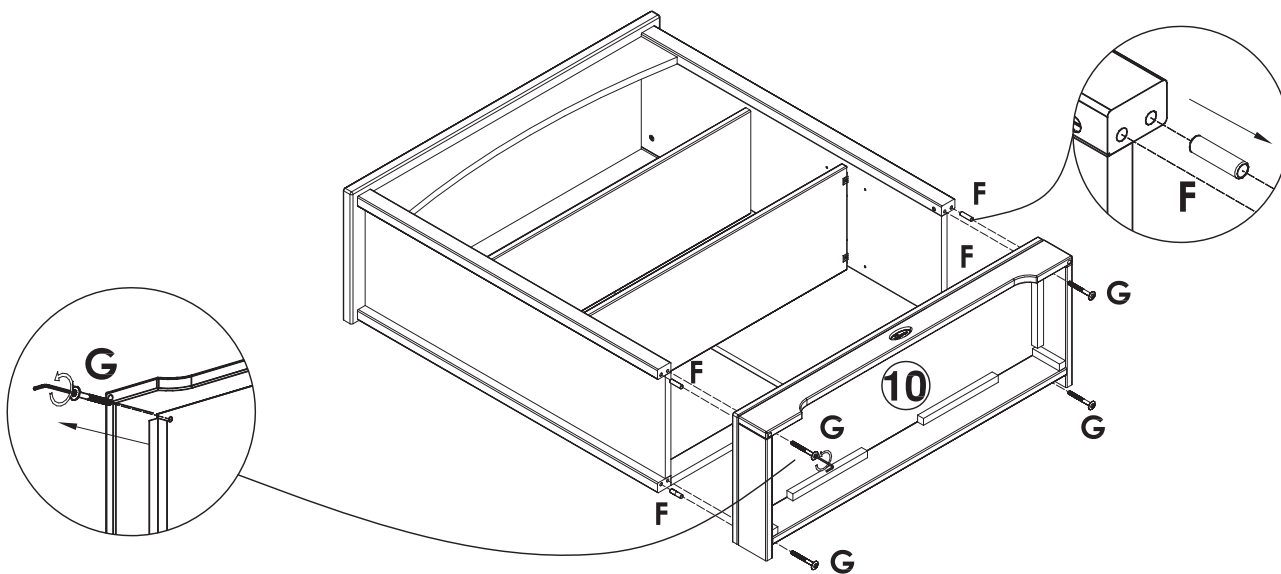


J x 1

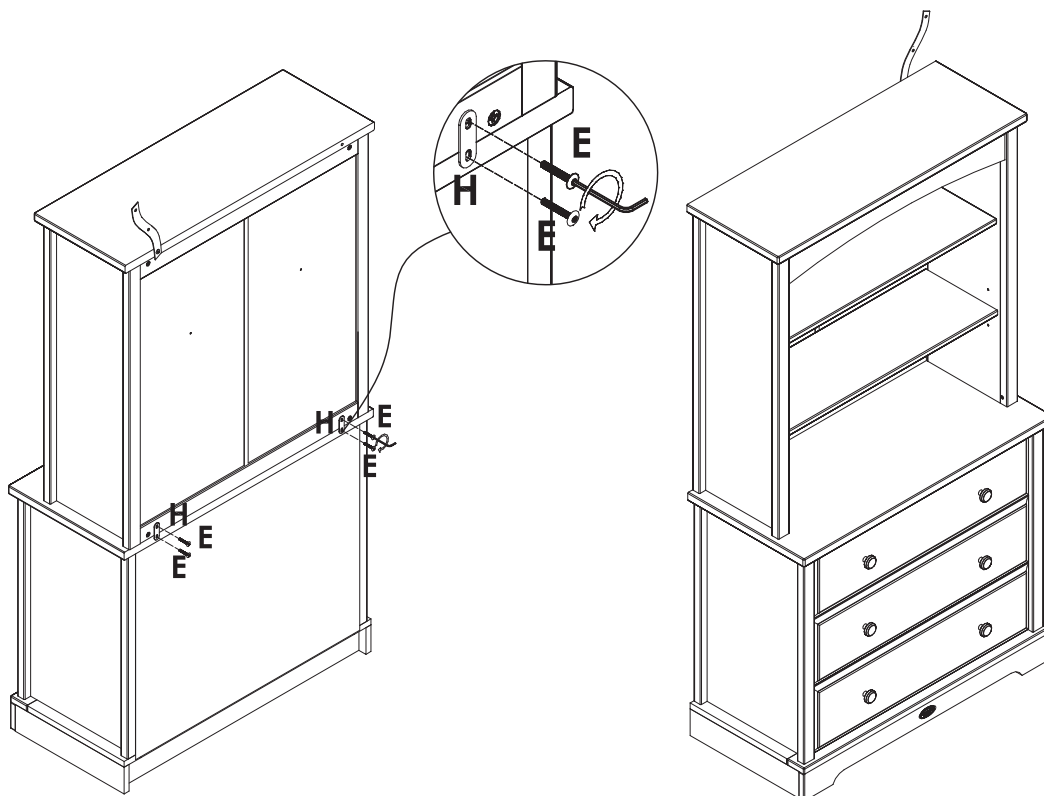


CONVERTING YOUR BOOKCASE TO HUTCH

Step 1: Detach the **Base10** by removing 4 x (F+G) wood dowels and connecting bolts.



Step 2: Attach the **Hutch** to a **Chest**, using 2 x H braces and 4 x E connecting bolts as shown.



E x 4

H x 2

