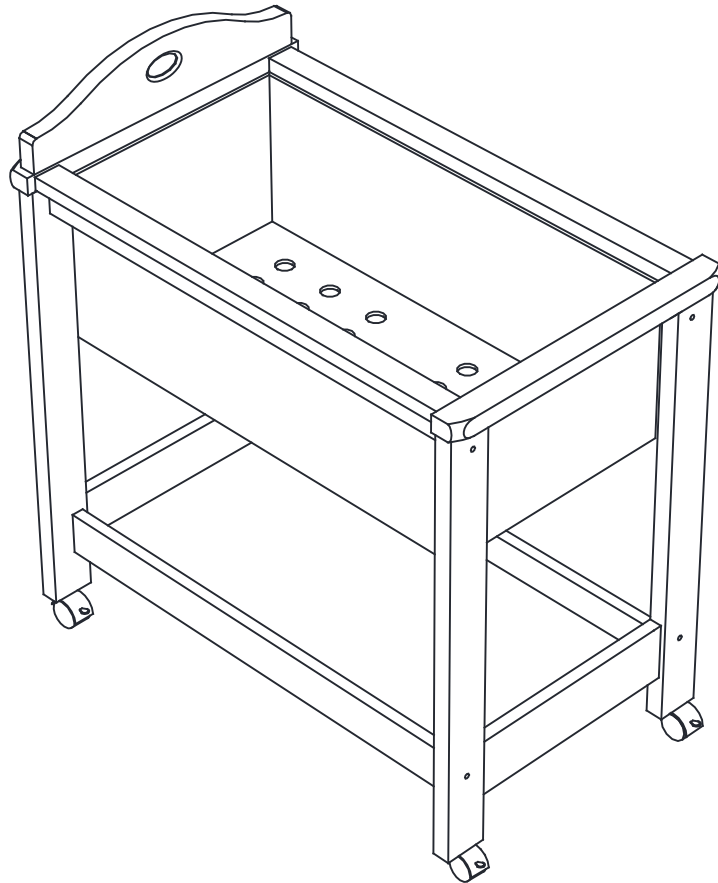


# Boori

## Universal



## Bell Curved Bassinet



**IMPORTANT:  
PLEASE READ THE INSTRUCTIONS CAREFULLY  
AND KEEP FOR FUTURE REFERENCE**



**IMPORTANT: THE ASSEMBLY OF THIS PRODUCT REQUIRES TWO PEOPLE  
READ ALL INSTRUCTIONS BEFORE ASSEMBLY AND USE OF THE PRODUCT.**

Boori Australia Pty Ltd  
18-20 Charles Street  
St. Marys Sydney NSW  
2760 Australia  
Ph: 61 2 9833 3769  
Fax: 61 2 9673 4240  
www.boori.com.au

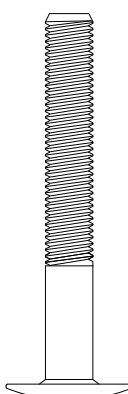
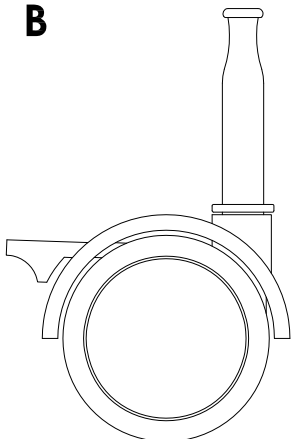
Boori (Europe) Ltd  
Unit 1, Transigo  
Gables Way  
Thatcham, Berkshire,  
RG19 4JZ  
Ph: (44) 016 3529 5670  
Fax: (44) 016 3587 7552  
www.boori.co.uk

Halim & Boori Company  
10F. Halim INT'L B/D, #1674-4,  
Seocho-Dong, Seocho-Gu,  
Seoul, Korea  
Tel: +82-2-598-1470  
Fax: +82-2-583-8885  
E-mail : ted@boori.co.kr  
Postal code: 137-725.

ブーリジャパン(株)  
〒541-0057  
大阪府大阪市中央区北久宝寺町  
4-2-10  
Ph : 06-4963-3939  
Fax : 06-4963-3900  
E-mail : info@boori.co.jp

## Instructions for Boori Universal Bell Curved Bassinet(B-BCBAS)

### Hardware and Parts List

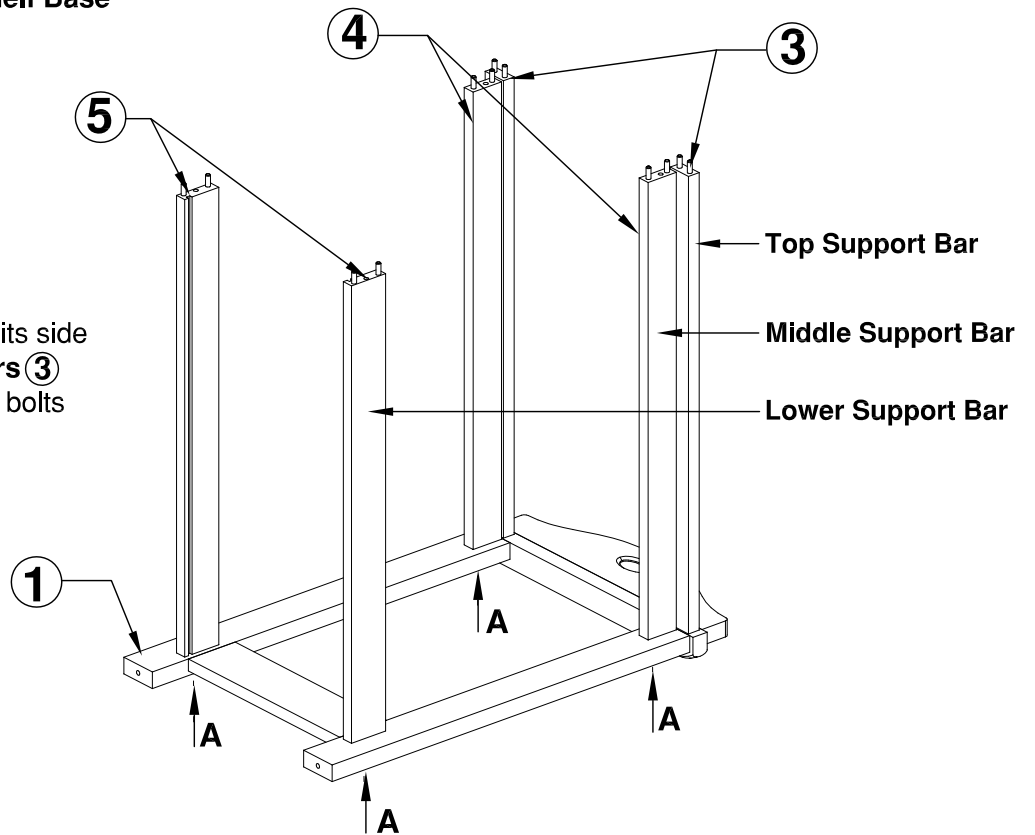
	1 x Allen Key	8 x M6*54mm Connecting bolts <b>A</b> 	4 x Castors <b>B</b> 
<p>1 x Head Panel</p> <p>1 x Foot Panel</p> <p>1 x Shelf Base</p> <p>1 x Bassinet</p> <div data-bbox="119 1989 486 2128" style="border: 1px solid black; padding: 5px;"> <p><b>NOTE:</b> Use only spare parts approved by the manufacturer.</p> </div> <p>1 x Base Board</p> <p>1 x Bassinet Pad</p>	<p>2 x Top Support Bars</p> <p>2 x Middle Support Bars</p> <p>2 x Lower Support Bars</p> <p>2 x Bassinet Holding Rods</p>		

# ASSEMBLY INSTRUCTIONS

## Step 1: Attach the Support Bars to the Head Panel

**Note:** Make sure the grooves on the Support Bars for the Shelf Base are facing inward.

Lay the **Head Panel** ① onto its side and secure the **Support Bars** ③ ④ ⑤ using 4 x **A** connecting bolts respectively.

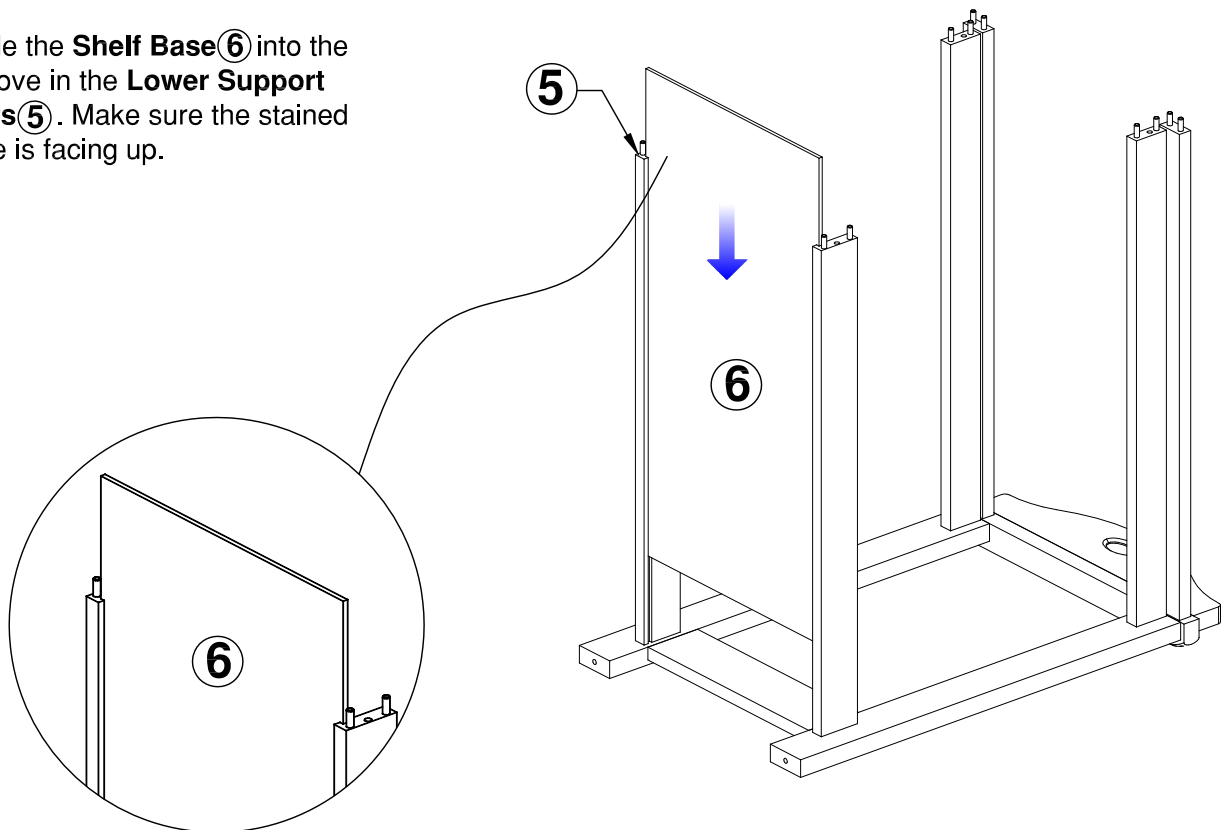


A x 4



## Step 2: Attach the Shelf Base

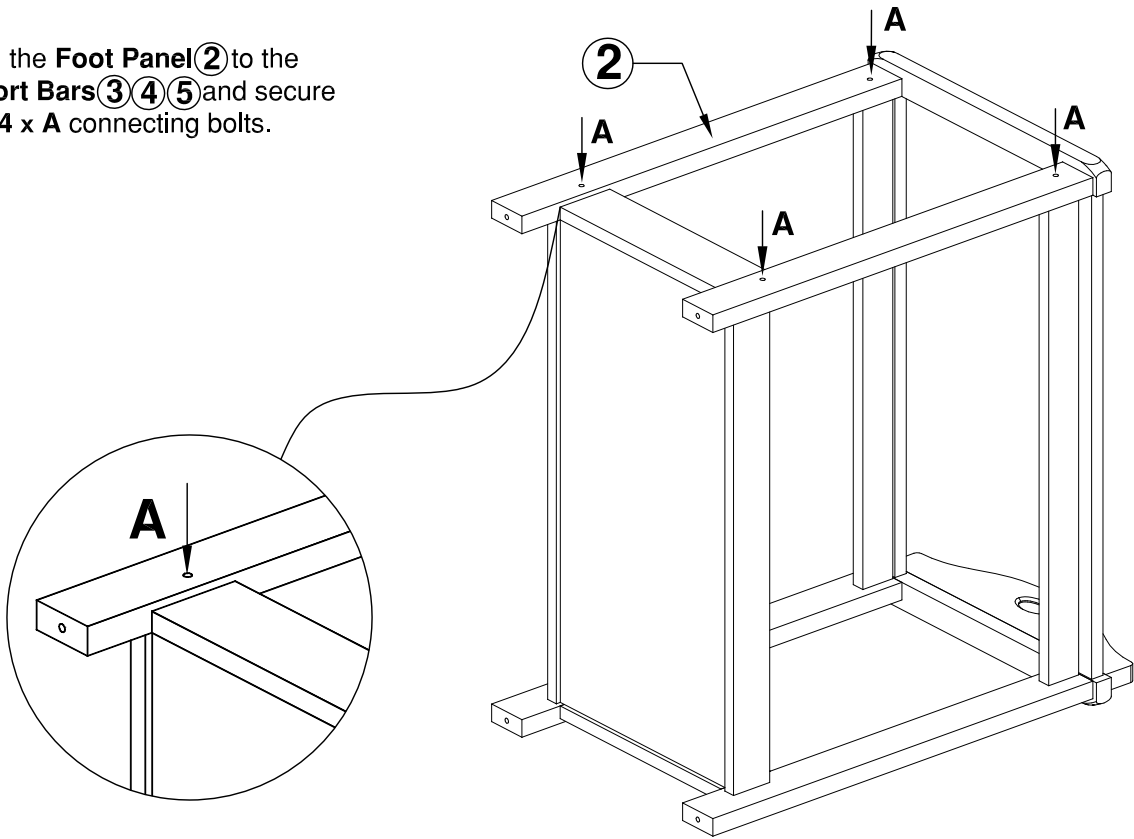
Slide the **Shelf Base** ⑥ into the groove in the **Lower Support Bars** ⑤. Make sure the stained side is facing up.



# ASSEMBLY INSTRUCTIONS

## Step 3: Attach the Foot Panel

Attach the **Foot Panel** ② to the **Support Bars** ③ ④ ⑤ and secure using 4 x **A** connecting bolts.

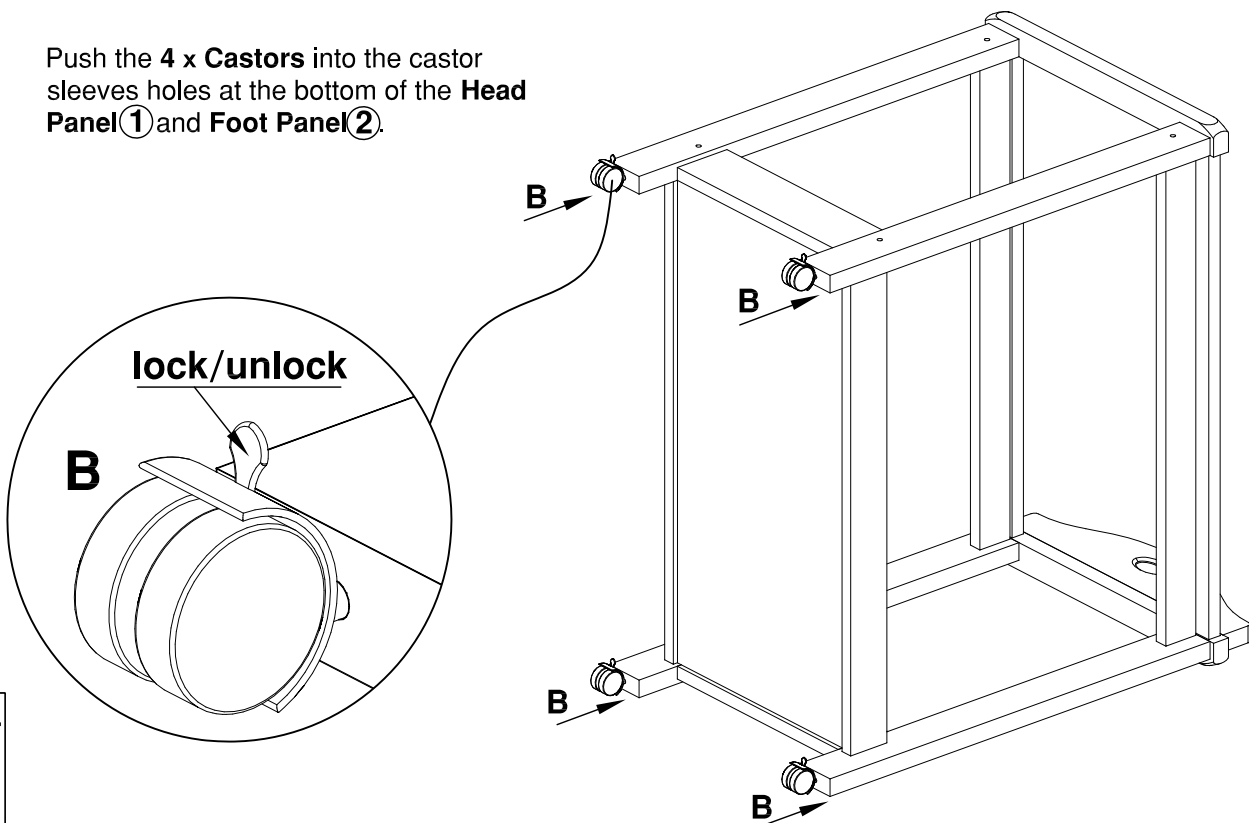


A x 4

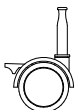


## Step 4: Attach the Castors

Push the 4 x **Castors** into the castor sleeves holes at the bottom of the **Head Panel** ① and **Foot Panel** ②.



B x 4

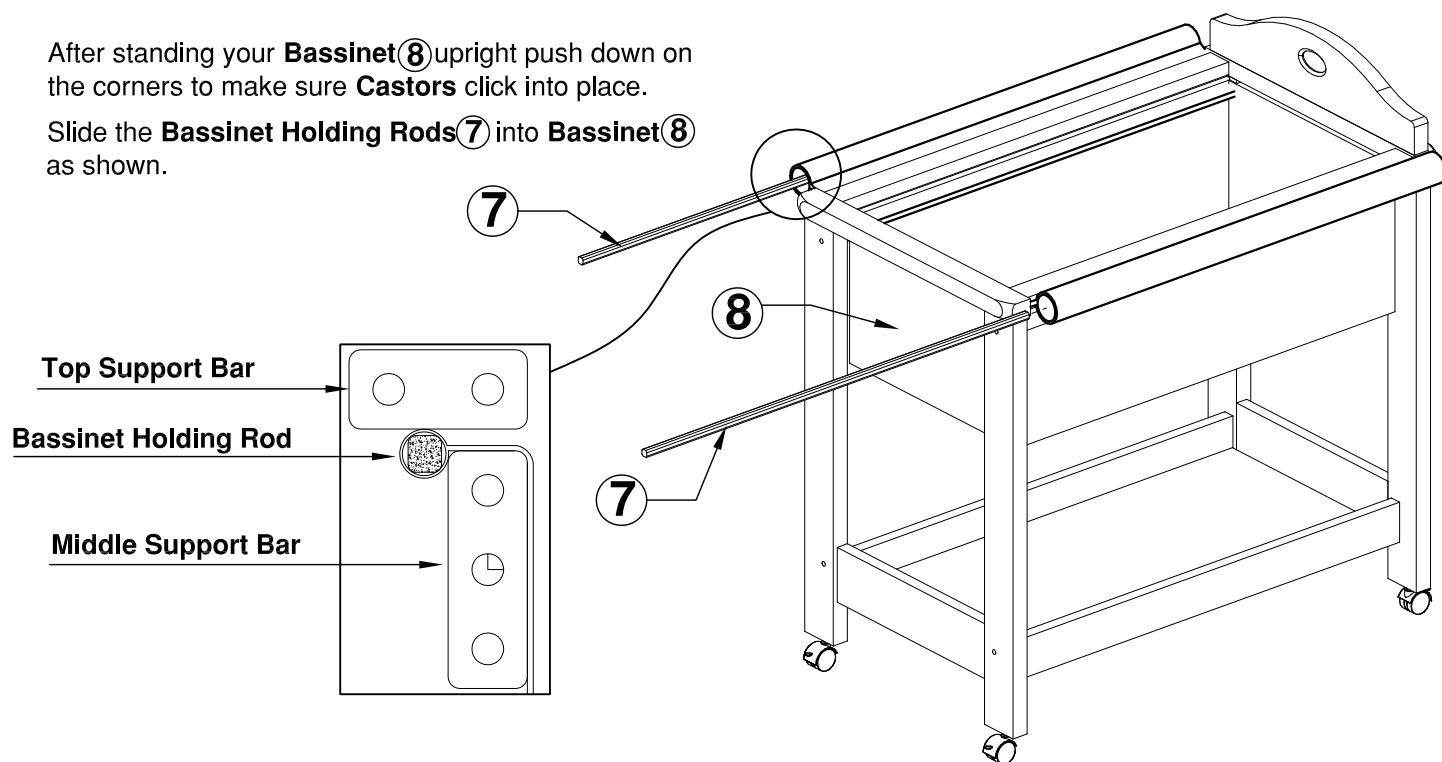


# ASSEMBLY INSTRUCTIONS

## Step 5: Attach the Bassinet

After standing your **Bassinet** ⑧ upright push down on the corners to make sure **Castors** click into place.

Slide the **Bassinet Holding Rods** ⑦ into **Bassinet** ⑧ as shown.



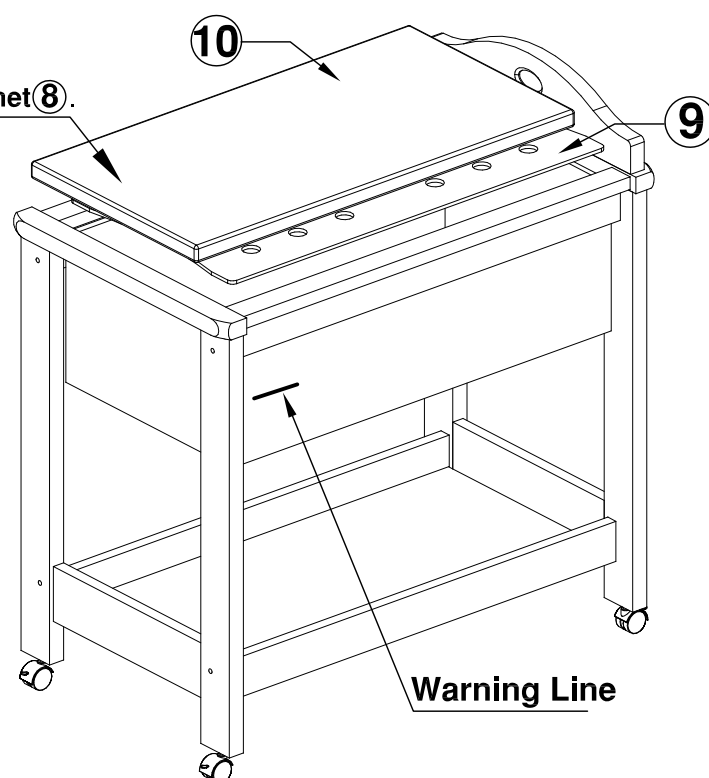
## Step 6: Attach the Base Board and Bassinet Pad

Place the **Base Board** ⑨ and **Bassinet Pad** ⑩ into **Bassinet** ⑧.

RECOMMENDED CHANGING PAD SIZE 800mm X 410mm X 25mm. This **Bassinet** ⑧ has been manufactured for use with a pad which measures 410mm wide by 800mm long and a maximum thickness of 25mm.

### ⚠ WARNING:

- \* Please ensure that the brakes on all four castors are released before moving the cradle;
- \* Regularly check your cradle to ensure that all the rocking bars are in their correct positions, and the capping nuts are tightly fitted.
- \* Please ensure the mattress used in this bassinet is lower than the warning line.



# Boori Furniture

**NOTE:** Use only spare parts approved by the manufacturer

**FOR THE UK**

**(BS EN 1130-1/-2:1996)**

**IMPORTANT RETAIN FOR FUTURE REFERENCE READ CAREFULLY**

- a) the crib/cradle should be placed on a horizontal floor;
- b) young children should not be allowed to play unsupervised in the vicinity of a crib/cradle;
- c) the crib/cradle should be locked in the fixed position when a child is unsupervised in it;
- d) Not to use the crib/cradle if any part is broken. Torn or missing;
- e) "When a child is able to sit, kneel or to pull itself up, the crib/cradle shall not be used anymore for this child."
- f) all assembly fitting should always be tightened properly and that care should be taken that no screws are loose, because a child could trap parts of the body or clothing (e.g., strings, necklaces, ribbons for babies dummies, etc.), which would pose a risk of strangulation;
- g) Not to use the body of a cradle without its frame;
- h) The thickness of the mattress chosen shall be such that the internal vertical height (surface of the top of the mattress to the upper edge of the bed sides) is at least 200 mm in the highest position of the bed base;
- i) Recommended bassinet pad 410mm wide by 800mm long and a maximum thickness of 25mm.
- j) Be aware of the risk of open fires and other sources of strong heat, such as electric bar fires, gas fires, etc. in the near vicinity of the crib/cradle;

**FOR THE USA**

**(ASTM F2194-13 16CFR 1218)**

**WARNING:** Failure to follow these warning and the instructions could result in serious injury or death.

To reduce the risk of SIDS, pediatricians recommend healthy infant be placed on their backs to sleep, unless otherwise advised by physician.

If a sheet is used with the pad, use only the one provide by the bassinet or cradle manufacturer or one specifically designed to fit the dimension of the bassinet or cradle mattress.

Strings can cause strangulation! Do not place items with a string around a child's neck, such as hood strings or pacifier cords. Do not suspend strings over a bassinet or cradle or attach strings to toys.

Please ensure the mattress used in this bassinet lower than the warning line.

Weight of the child for which the product is intended up to a maximum weight of 15 kgs.

Recommended bassinet pad 410mm wide by 800mm long and a maximum thickness of 25mm

**FALL HAZARD:**

To help prevent falls, do not use this product when the infant begins to push up on hands and knees or has reached weight of 15 kgs, whichever comes first.

**SUFFOCATION HAZARD:**  
**Infants have suffocated**

In gaps between extra padding and side of the bassinet/cradle, and on sofa bedding.

Use Only the pad provided by manufacturer.

NEVER add a pillow, comforter, or another mattress for padding.