

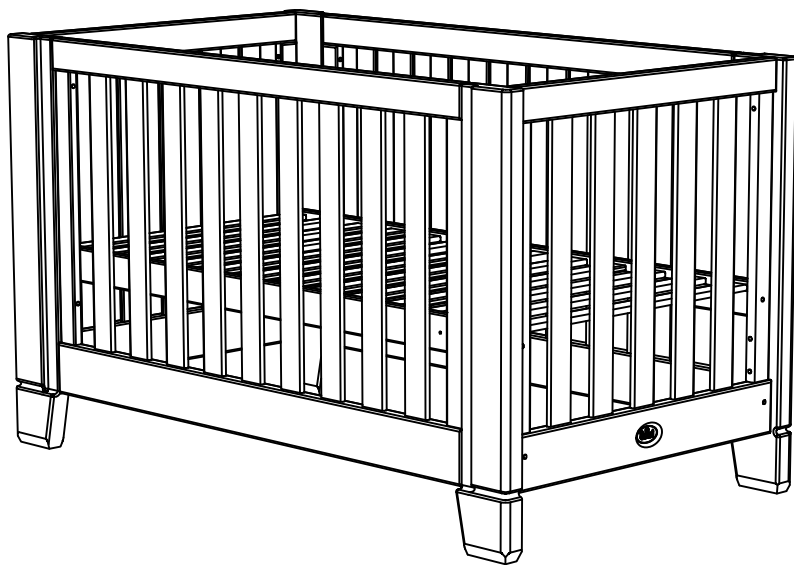
# Boori

## Ashton



### Expandable™ Cot Bed

爱思顿扩展型婴童床



**IMPORTANT:  
PLEASE READ THE INSTRUCTIONS CAREFULLY  
AND KEEP FOR FUTURE REFERENCE**

重要：请仔细阅读此说明书，并妥善保管以便日后参考。

B-ASEX

**Boori Australia Pty Ltd**  
 18-20 Charles Street  
 St. Marys Sydney NSW  
 2760 Australia  
 Tel: +61 2 9833 3769  
 Fax: +61 2 9673 4240  
 www.boori.com.au

**Boori (Europe) Ltd**  
 Unit 1 Riverside House,  
 Mill Lane, Newbury,  
 Berkshire, RG 14 5QS UK  
 Tel: +44 016 3529 5670  
 Fax: +44 016 3587 7552  
 www.boori.co.uk

**Halim & Boori Company**  
 10F. Halim INT'L B/D,  
 #1674-4, Seocho-Dong,  
 Seocho-Gu, Seoul, Korea  
 Tel: +82 2598 1470  
 Fax: +82 2583 8885  
 E-mail: ted@boori.co.kr  
 Postal code: 137-725.

**ブーリジャパン株式会社**  
 〒141-0031  
 東京都品川区西五反田  
 7-22-17 TOCビル5F  
 TEL:03-6420-0024  
 EMAIL:info@boori.co.jp  
 HP:www.boori.jp

**上海薇奈莎商贸有限公司**  
 博瑞儿童用品(上海)有限公司  
 上海市青浦区徐泾镇华徐公路577号  
 VEG微格创意园A8-10室  
 邮编: 201702  
 电话: +86 21 5296 6600  
 传真: +86 21 5296 6636  
 网址: www.boori.com.cn

## Ashton Expandable™ Cot Bed(B-ASEX)

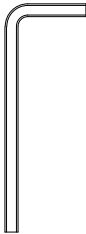
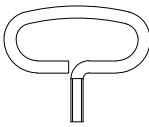
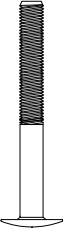
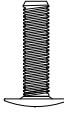
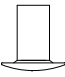
Dimensions (External / 外径): 1424\*802\*850mm

Main Materials: Australia Araucaria

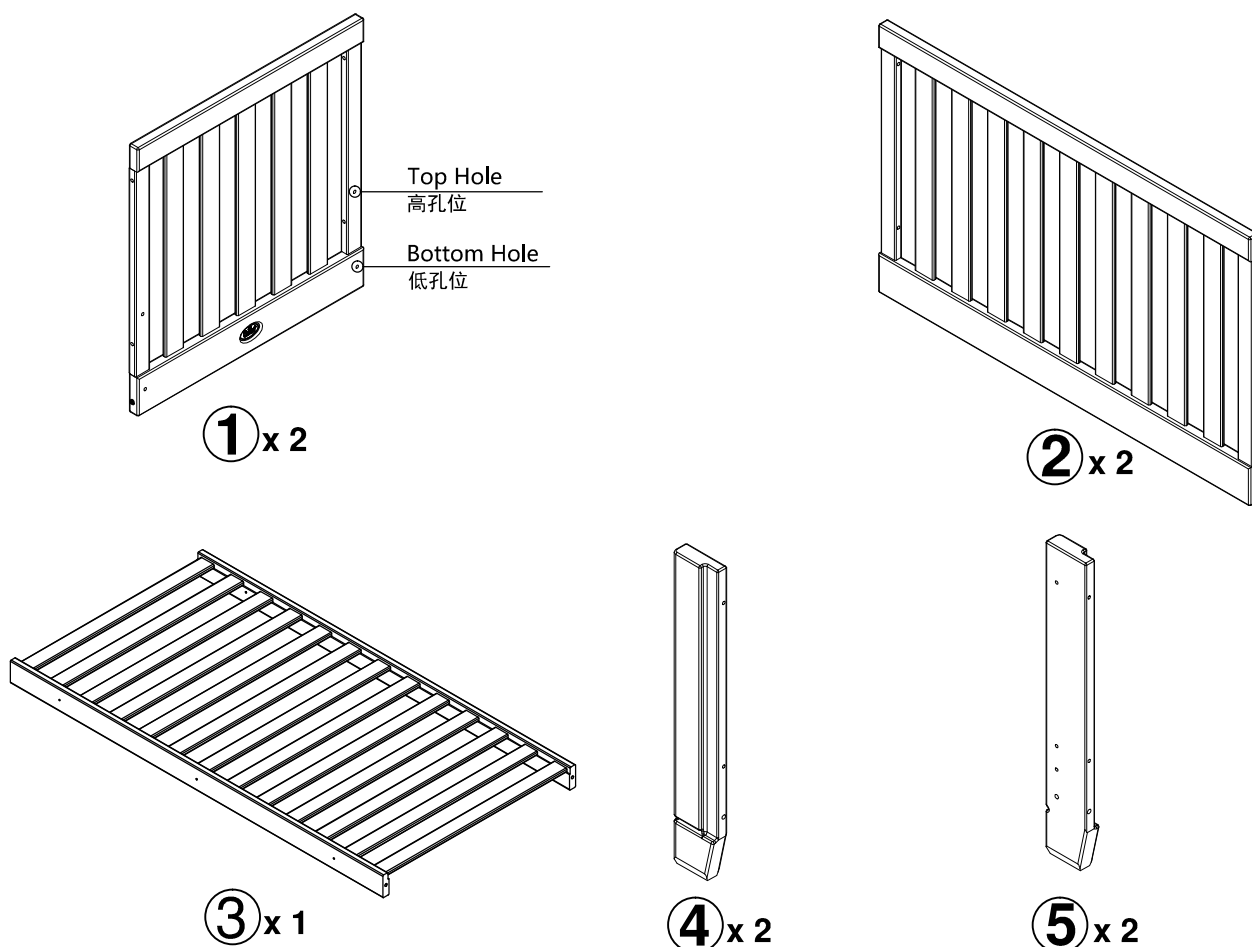
产品规格 (Internal / 内径): 1330\*712mm

主要材质: 澳洲南洋杉

### Hardware / 五金单

A x 1	B x 1	Cx 20	D x 12	E x 8
				
		M6*60mm	M6*18mm	M6*14mm

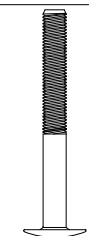
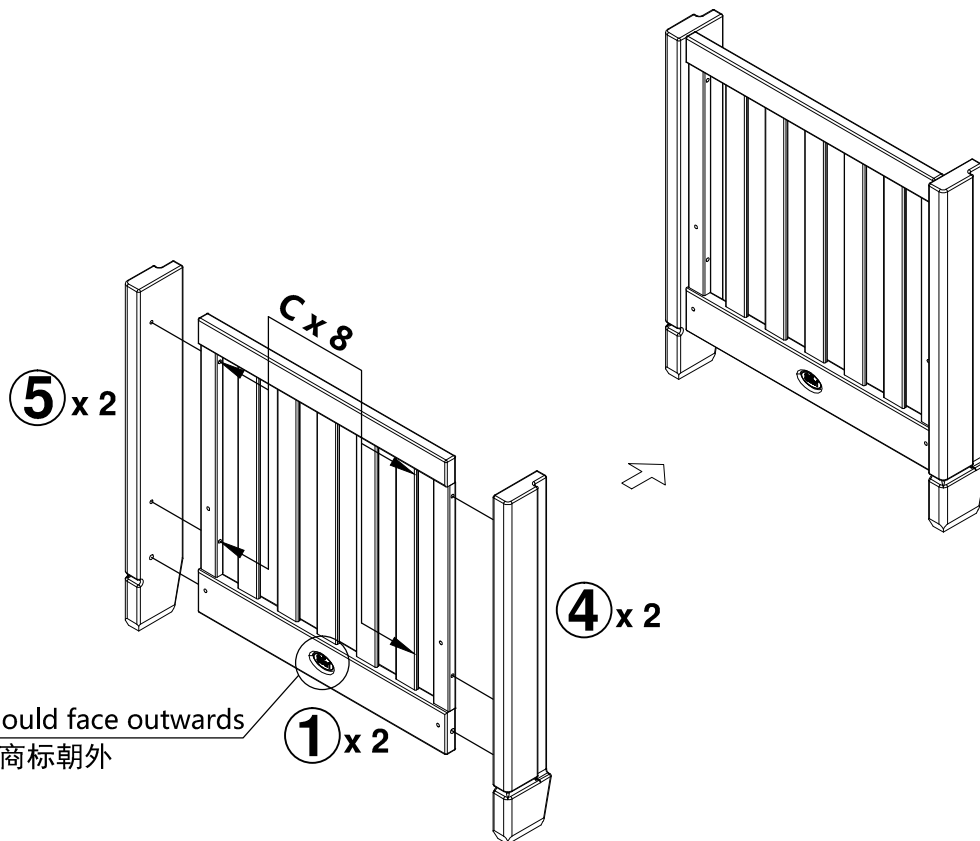
### Parts List / 部件清单



NOTE: Use only spare parts approved by the manufacturer.  
 注意: 仅限使用制造商提供的产品零配件及五金。

# Assembly / 安装说明

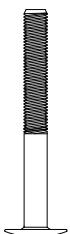
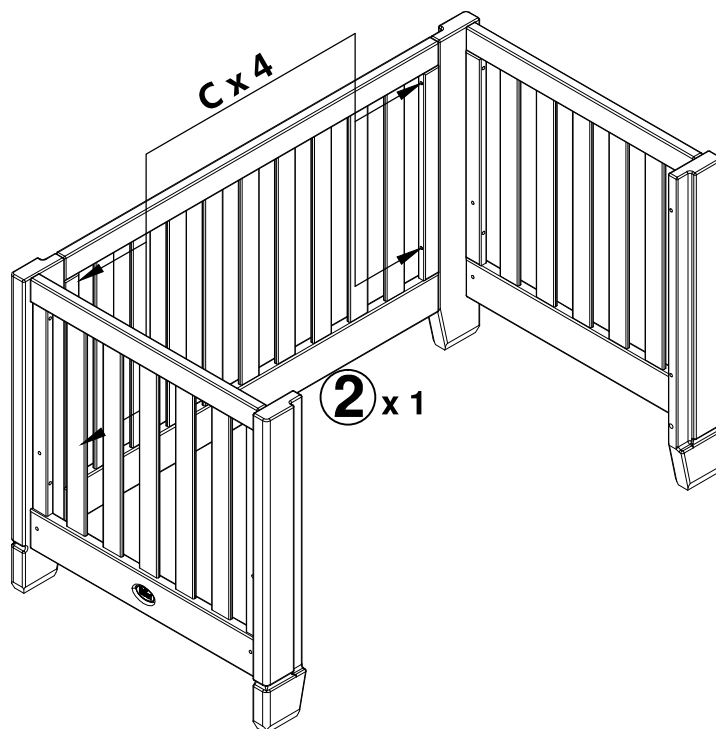
# 1



C x 8

# 2

Do not tighten the bolts for now.  
螺丝暂时不要完全锁紧。



C x 4

3

Top Hole high base position (for newborn).  
高孔位：底板放置高位（新生儿使用位置）。

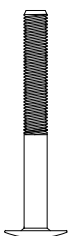
C x 4

Bottom Hole low base position (for baby).

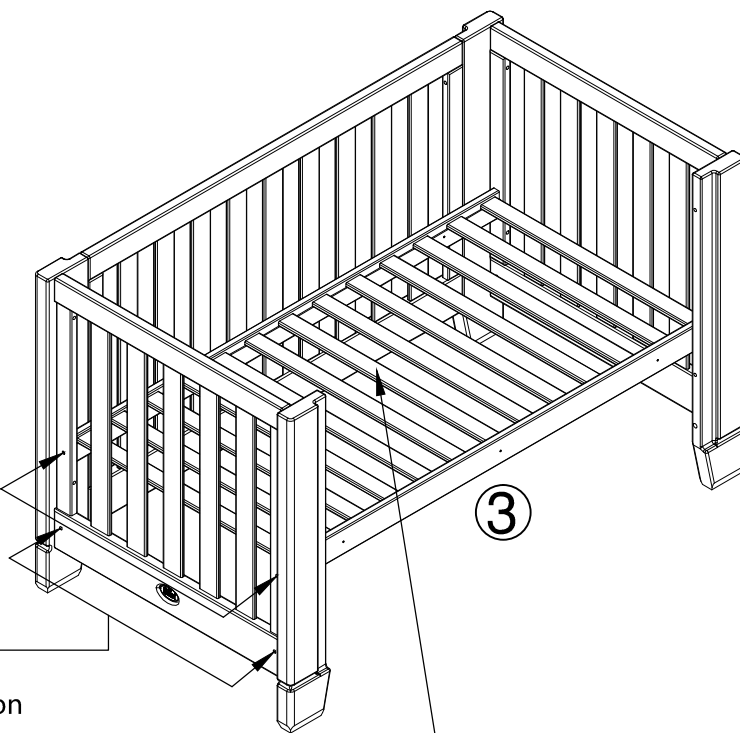
低孔位：底板放置低位（婴幼儿使用位置）。

Base should be lowered to this position before child is able to sit up.

当婴幼儿能坐起时改到床底板低孔位。



C x 4



⚠ Sticker side of the base must face up.  
床板印字的标签面朝上。

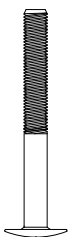
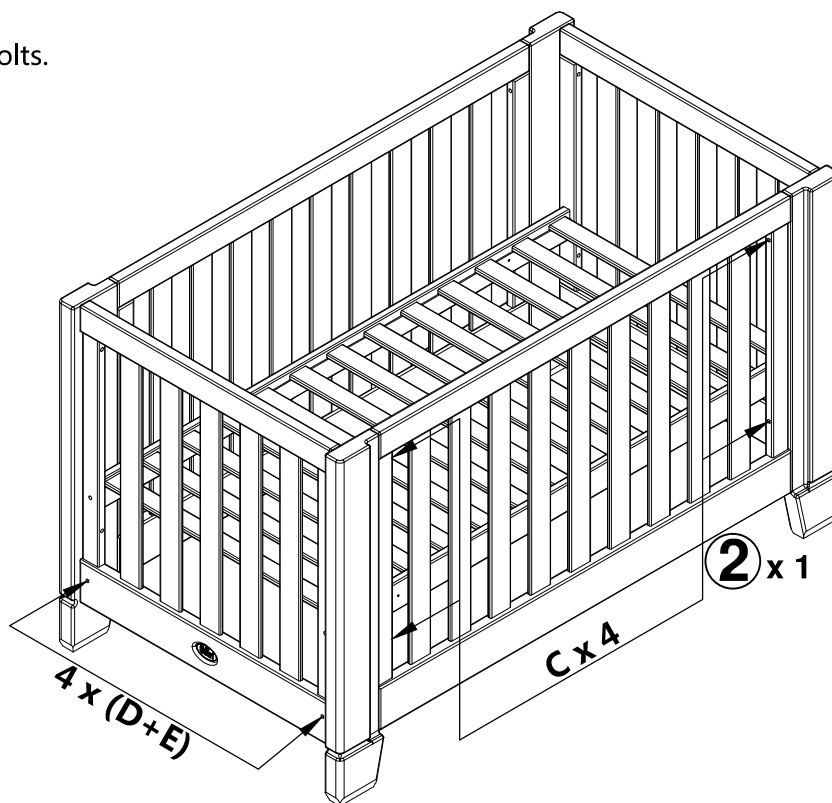
4

**Attention: Please follow the instruction images and cover the remaining holes to prevent baby from inserting and injuring their fingers in holes.**

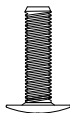
注意：请按图示把剩余的孔堵上，以免宝宝手指插入孔内造成伤害。

Tighten all the connecting bolts.

锁紧所有螺丝。



C x 4



D x 4



E x 4

## Assembly / 安装说明

# 5

Lowering the base height.

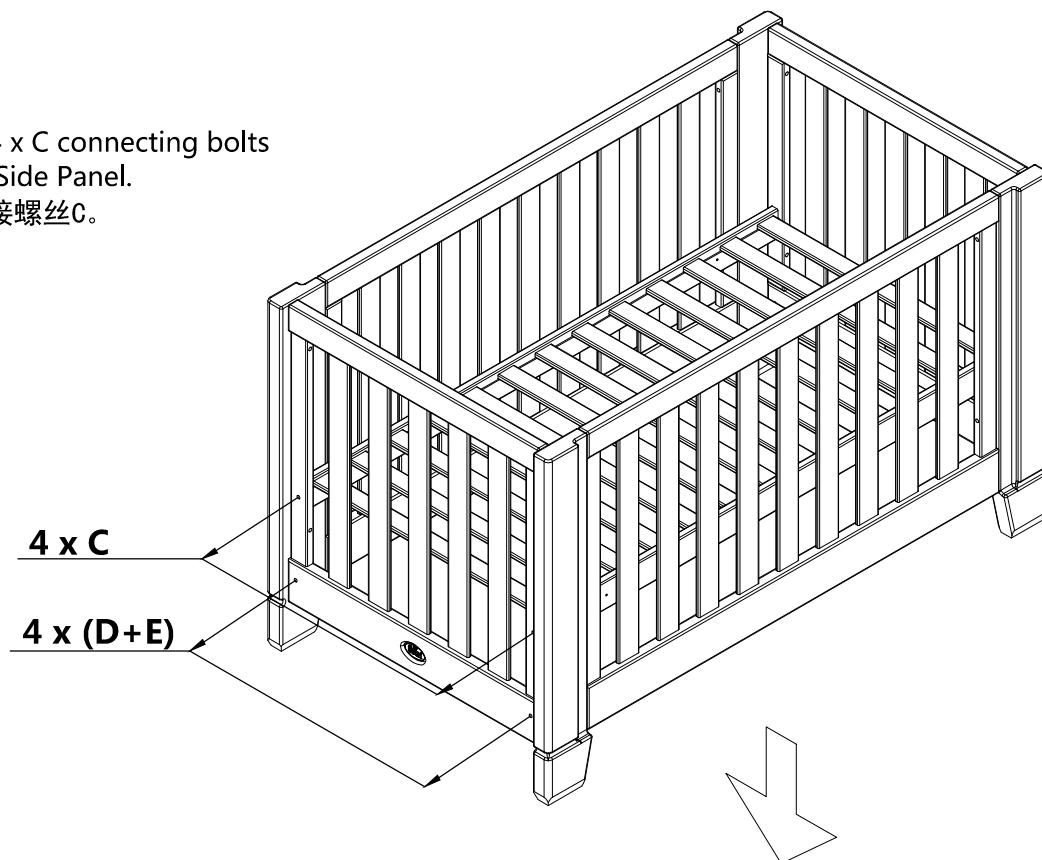
降低床底板。

Attention: Please follow the instruction images and cover the remaining holes to prevent baby from inserting and injuring their fingers in holes.

注意：请按图示把剩余的孔堵上，以免宝宝手指插入孔内造成伤害。

Loosen the 4 x C connecting bolts in the Fixed Side Panel.

松开一点连接螺丝C。

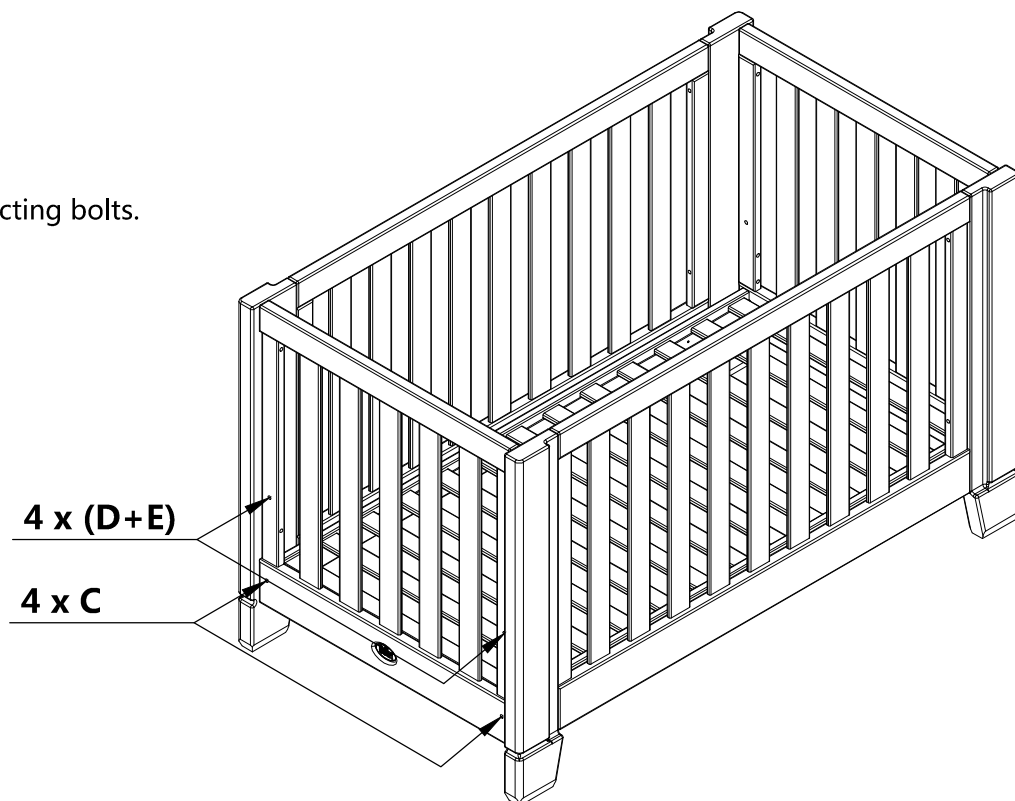


**⚠** Base should be in the low position before child is able to sit up.

当宝宝可以坐起时，请将底板降至低孔位的位置，以防止宝宝爬出护栏。

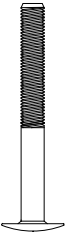
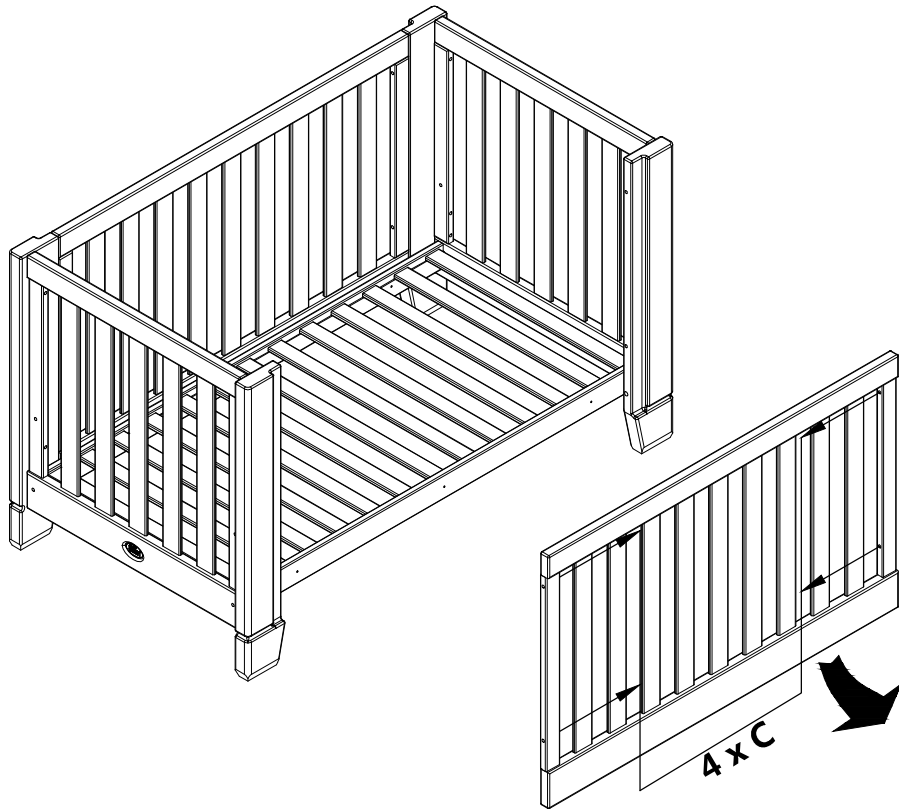
Tighten all the connecting bolts.

锁紧所有螺丝。



# CONVERT YOUR COT TO TODDLER BED / 转换成儿童床

## 1

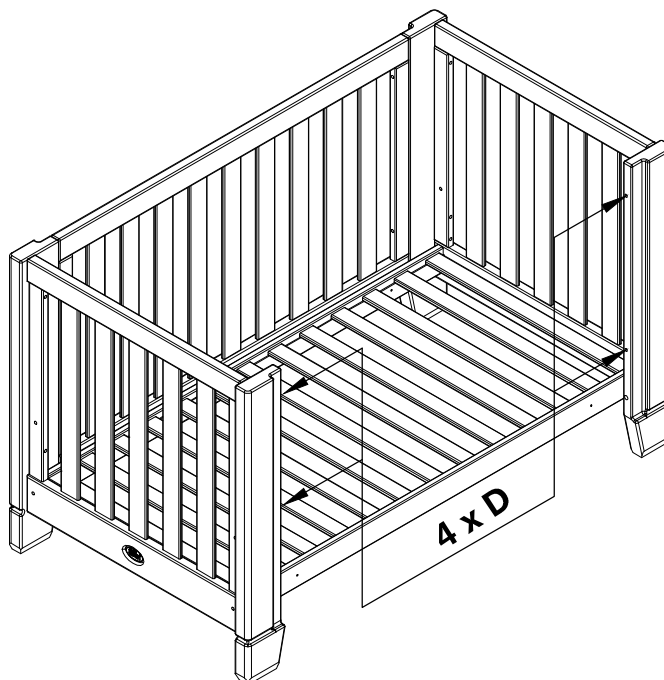


C x 4

## 2

Attention: Please follow the instruction images and cover the remaining holes to prevent baby from inserting and injuring their fingers in holes.  
注意：请按图示把剩余的孔堵上，以免宝宝手指插入孔内造成伤害。

Tighten all the connecting bolts.  
锁紧所有螺丝。

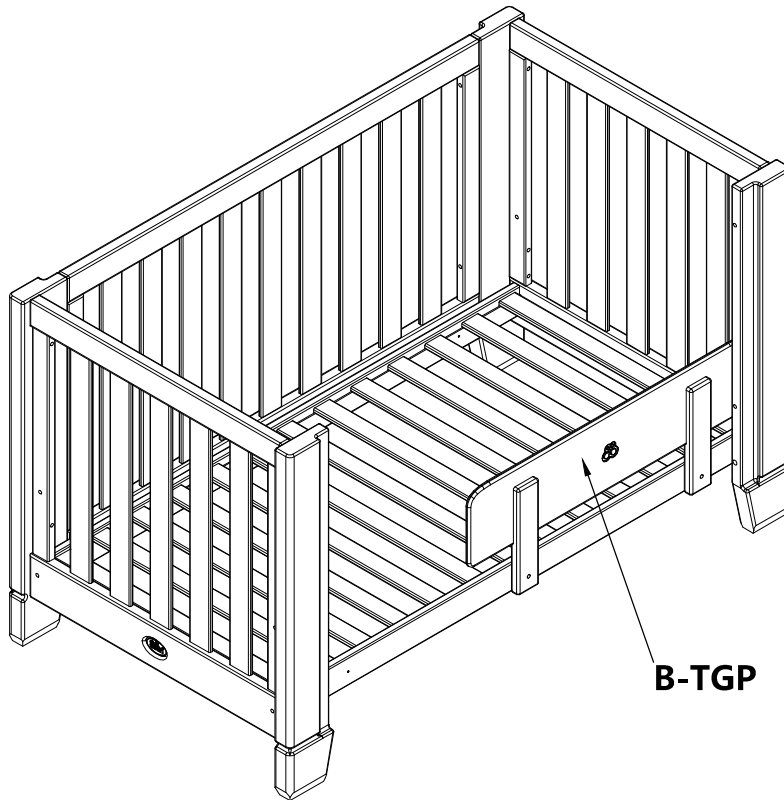


D x 4

## CONVERT YOUR COT TO TODDLER BED / 转换成儿童床

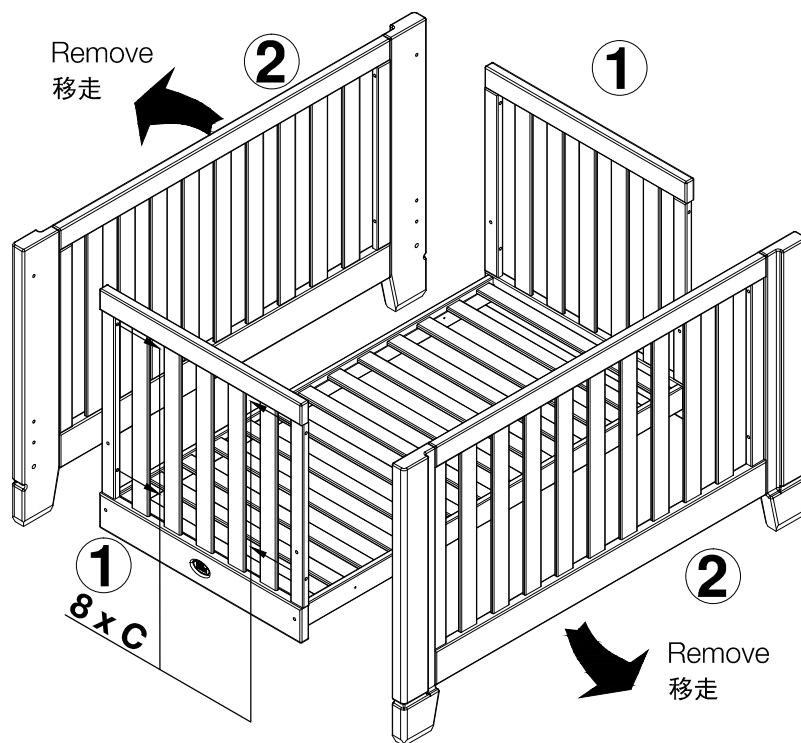
**3**

The Toddler Conversion item B-TGP(Universal Toddler Guard Panel)  
is sold separately and available in matching finish.  
转换成儿童床时，所配套的小护栏B-TGP需单独购买。

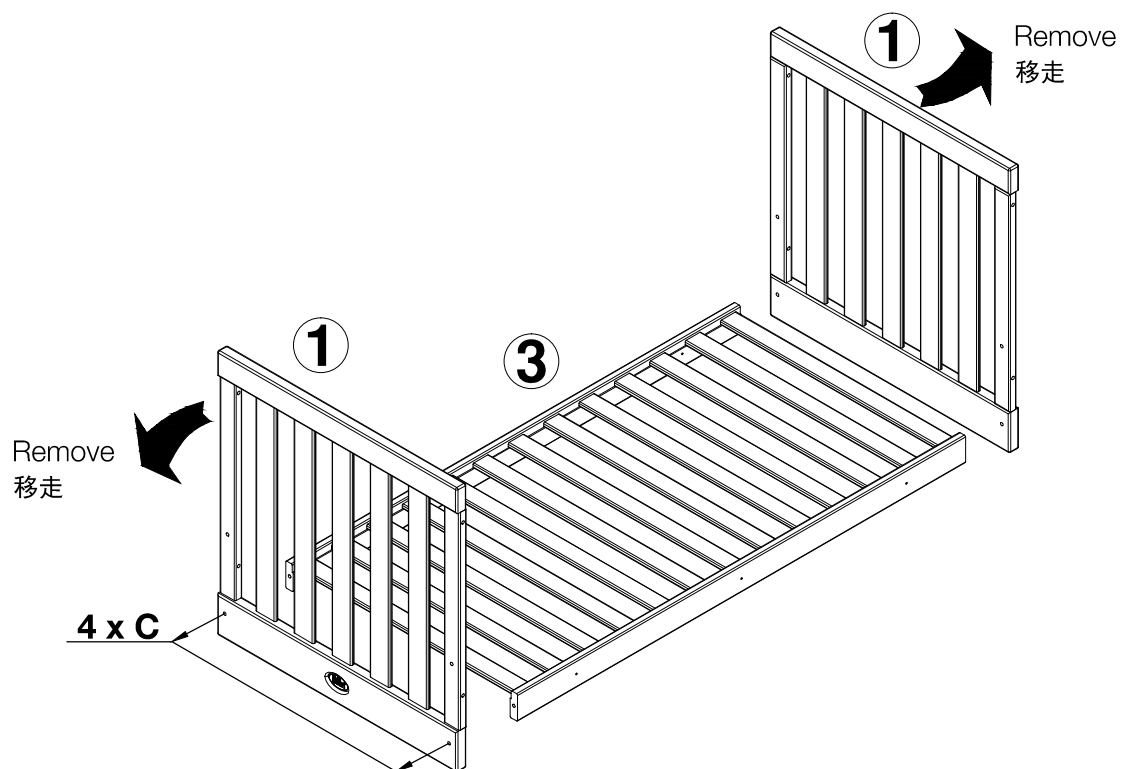


# CONVERT YOUR COT TO SINGLE BED / 转换成单人床

1



2

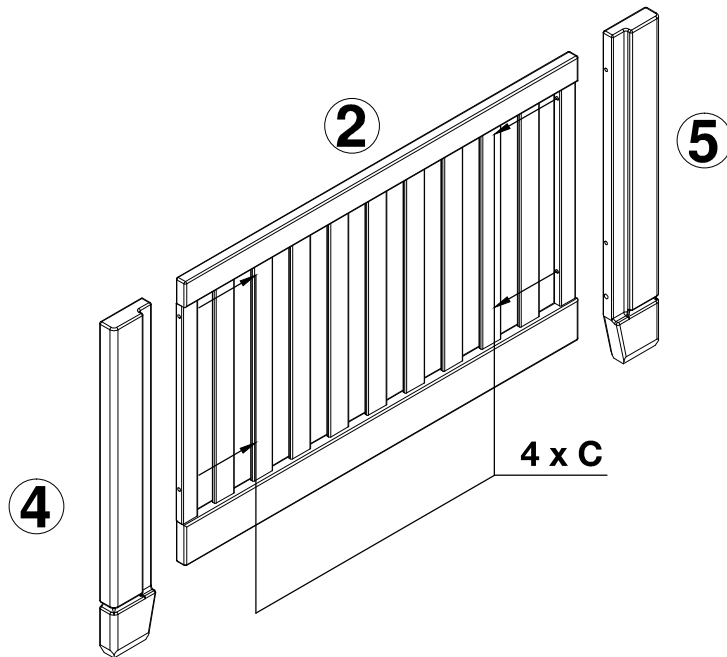




# CONVERT YOUR COT TO SINGLE BED / 转换成单人床

## 3

Remove the Legs.  
拆下床腿。



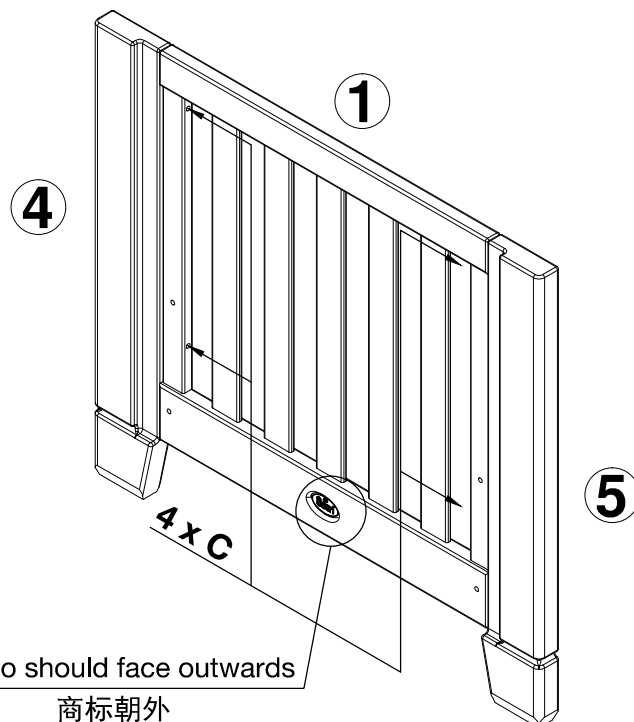
## 4

**⚠** Attach the Legs.

Make sure the screw hole side of the legs are on the opposite side of the LOGO.

安装床腿

确保LOGO的一面安装在床腿的没有孔位的一面。



C x 4

The logo should face outwards  
商标朝外

# CONVERT YOUR COT TO SINGLE BED / 转换成单人床

## 5

Attention:

Please follow the instruction images and cover the remaining holes to prevent baby from inserting and injuring their fingers in holes.

注意:

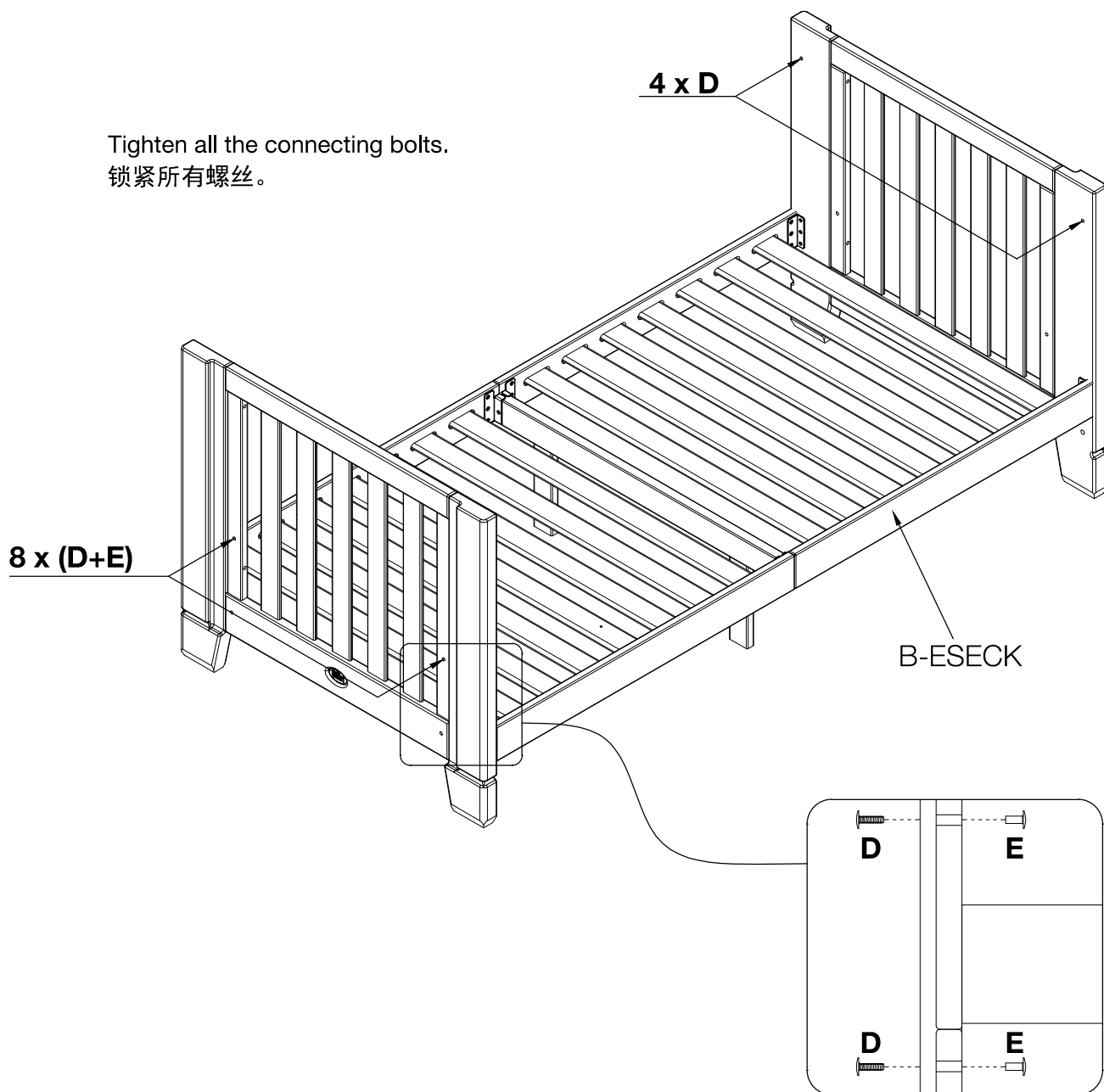
请按图示把剩余的孔堵上, 以免宝宝手指插入孔内造成伤害。

When transforming to a single bed, B-ESECK is included in matching finish.

转换至单人床, 所搭配的床挺B-ESECK是配套销售的。

Tighten all the connecting bolts.

锁紧所有螺丝。



D x 12



E x 8

# Assembly instructions

**NOTE:** Use only spare parts approved by the manufacturer

---

## **FOR AUSTRALIA AND NEW ZEALAND (AS/NZS 2172:2013)**

### **RECOMMENDED MATTRESS SIZE 1320mm X 700mm X 120mm**

This cot has been manufactured for use with a mattress which measures 700mm wide by 1320mm long and 120 mm in thickness. The width and length are specified because it is important that the gaps between the mattress and the sides and ends of the cot will not exceed 40mm when the mattress is pushed to one side or end, and 20 mm when the mattress is centred in the cot. The thickness of the mattress has been specified to ensure that the depth of the cot is greater than 500 mm with the mattress base in the lower position to minimise the risk of a child climbing or falling out of the cot.

#### **WARNING:**

**\* TO ENSURE THE SAFETY OF YOUR COT, REGULARLY CHECK ALL THE CONNECTING BOLTS AND GLIDE PINS MAKING SURE THEY ARE TIGHT.**

**\* TO PREVENT FALLS OR SUFFOCATION THE MAXIMUM MATTRESS THICKNESS SHOULD NOT EXCEED 120MM**

**\* WARNING: TO PREVENT FALLS, THE MATTRESS BASE OF THIS COT SHOULD BE ADJUSTED TO THE LOWEST POSITION BEFORE THE CHILD CAN SIT UP.**

\* Follow the manufacturer's assembly instructions in detail to ensure the safety features of the cot are not compromised.

\* Ensure the cot is placed at a reasonable distance from curtains, blinds, heaters and power points.

\* Keep cot free of any toys, cushions etc that could be used as a foothold or present a danger of suffocation or strangulation.

\* Keep medication, String, elastic or small items such as money out of reach from any position in the cot.

---

## **FOR THE UK (EN 716-1-2 : 2017)**

### **RECOMMENDED MATTRESS SIZE 1320mm X 700mm x 120mm**

If you leave the child unattended in the cot, always make sure that the dropside is in the highest position.

This cot has been manufactured for use with a mattress which measures 700mm wide by 1320mm long and a maximum thickness of 120mm. The width and length shall be such that the gap between the mattress and the sides and ends does not exceed 30mm. The thickness of the mattress has been specified to ensure that the depth of the cot is greater than 500mm with the mattress base in the lower position and 200mm with the mattress in the highest position to minimise the risk of a child climbing or falling out of the cot.

#### **WARNING:**

**\* TO ENSURE THE SAFETY OF YOUR COT, REGULARLY CHECK ALL THE CONNECTING BOLTS AND GLIDE PINS MAKING SURE THEY ARE TIGHT, CARE SHOULD BE TAKEN THAT NO SCREWS ARE LOOSE BECAUSE A CHILD COULD TRAP PARTS OF THE BODY OR CLOTHING (EG. Strings, necklaces, ribbons for babies dummies), WHICH WOULD POSE A RISK OF STRANGULATION.**

**\* TO PREVENT FALLS, THE MAXIMUM MATTRESS THICKNESS SHOULD NOT EXCEED 120MM.**

**\* THE LOWEST POSITION IS THE SAFEST AND THE BASE SHOULD ALWAYS BE USED IN THAT POSITION AS SOON AS THE BABY IS OLD ENOUGH TO SIT UP.**

**\* TO PREVENT INJURY FROM FALLS WHEN THE CHILD IS ABLE TO CLIMB OUT OF THE COT, THE COT SHALL NO LONGER BE USED FOR THAT CHILD.**

\* Be aware of the risk of open fire and other sources of strong heat, such as electric bar fires, gas fires, etc. in the near vicinity of the cot.

\* Do not use the cot if any part is broken, torn or missing and use only spare parts approved by the manufacturer.

\* Do not leave anything in the cot or place the cot close to another product, which could provide a foothold or present a danger of suffocation or strangulation, e.g. strings, blind/curtain cords, etc.

\* Do not use more than one mattress in the cot.

\* All assembly fittings should always be tightened properly and that fittings should be checked regularly and retightened as necessary.

---

#### **WARNING: (BS 8509:2008+A1:2011)**

\* The child's bed conforms to BS 8509:2008 +A1:2011

\* Recommended mattress size 1320mm x 700mm x 120mm

\* Suitable for a child from 18 months to 4 years old.

\* Do not place this child's bed near heat sources, windows and other furniture.

\* Do not use this child's bed if any part is broken, torn or missing.

\* The bed is designed to be dismantled for storage or transportation.

\* All assembly fittings should always be tightened properly and checked periodically.

\* Children are likely to play, bounce, jump and climb on beds, therefore the child's bed should not be placed too close to other furniture or windows, blind cords, curtain pulls or other strings or cords, and should be placed either tight to any wall or have a gap of 300mm between the wall and the side of the bed.