

Boori

Universal



3 drawer chest



IMPORTANT:
PLEASE READ THE INSTRUCTIONS CAREFULLY
AND KEEP FOR FUTURE REFERENCE

**IMPORTANT: THE ASSEMBLY OF THIS PRODUCT REQUIRES TWO PEOPLE
READ ALL INSTRUCTIONS BEFORE ASSEMBLY AND USE OF THE PRODUCT.**

Boori Australia Pty Ltd
18-20 Charles Street
St. Marys Sydney NSW
2760 Australia
Ph: 61 2 9833 3769
Fax: 61 2 9673 4240
www.boori.com.au



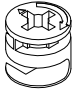
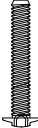
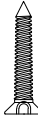
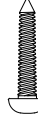


Boori (Europe) Ltd
Unit 1, Transigo
Gables Way
Thatcham, Berkshire
RG19 4JZ
Ph: (44) 016 3529 5670
Fax: (44) 016 3587 7552
www.boori.co.uk

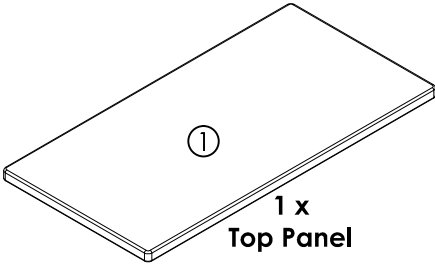
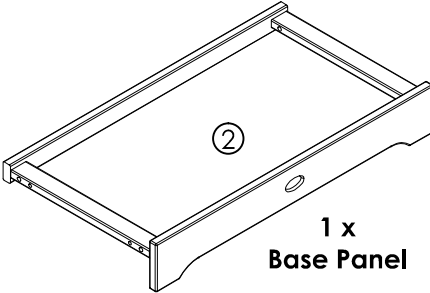
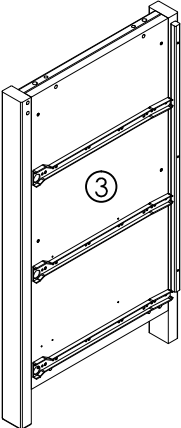
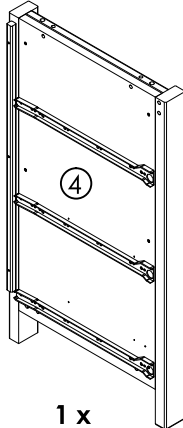


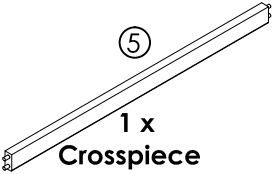
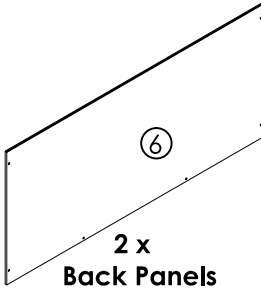
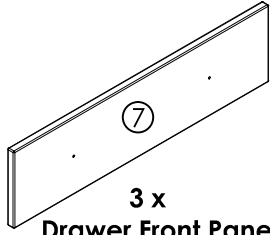
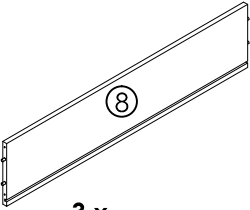
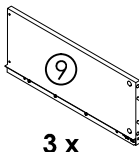
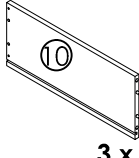
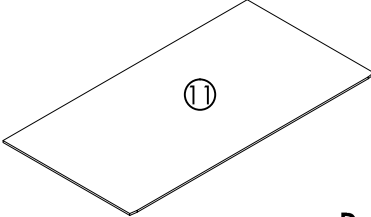

Halim & Boori Company
10F. Halim INT'L B/D, #1674-4,
Seocho-Dong, Seocho-Gu,
Seoul, Korea
Tel: +82-2-598-1470
Fax: +82-2-583-8885
E-mail: ted@boori.co.kr
Postal code: 137-725.

ブーリジャパン(株)
〒541-0057
大阪府大阪市中央区北久宝寺町
4-2-10
Ph: 06-4963-3939
Fax: 06-4963-3900
E-mail: info@boori.co.jp

Boori 3 Drawer Chest (B-3DC)

Hardware and Parts List

1 x Allen Key	12 x Connecting bolts	12 x Excenter fittings	6 x 30mm Connecting bolts	12 x 30mm Self tapping screws	12 x 16mm Self tapping screws	4 x 60mm Connecting bolts	4 x 80mm Connecting bolts
	A 	B 	C 	D 	E 	F 	G 

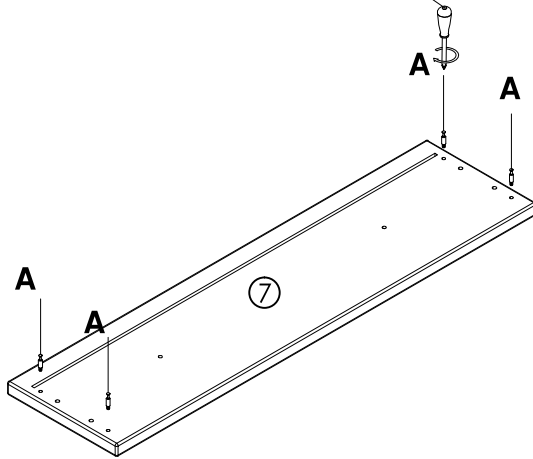
 1 x Top Panel		 1 x Base Panel		1 x 16mm Connecting bolts	1 x Wall strap
 1 x Side Panel(left)		 1 x Side Panel(right)		H 	I 
 1 x Crosspiece		 2 x Back Panels		 3 x Drawer Front Panels	
 3 x Drawer Back Panels		 3 x Drawer Side Panels(left)		 3 x Drawer Side Panels(right)	
		 3 x Drawer Bottoms		 6 x Drawer Handles	

NOTE:
Use only spare parts approved by the manufacturer.

ASSEMBLY INSTRUCTIONS

Step 1: Screws into the Drawer Panel.

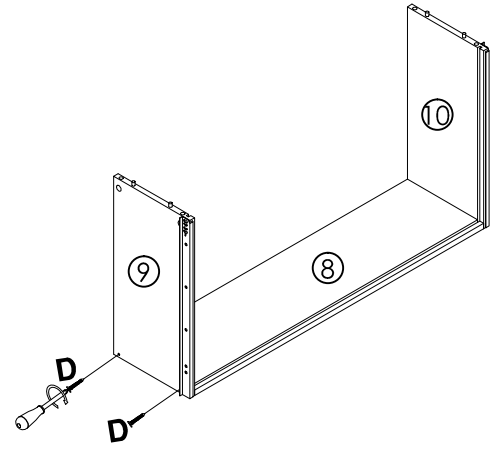
(Not supplied)



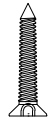
A X 12



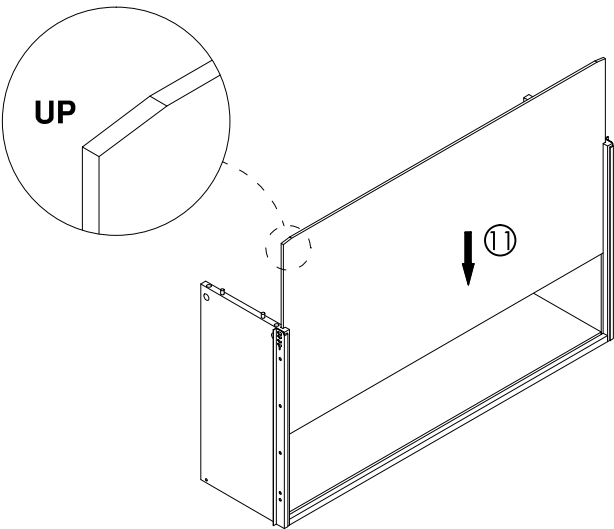
Step 2: Attach the Drawer Back Panel and Side Panels.



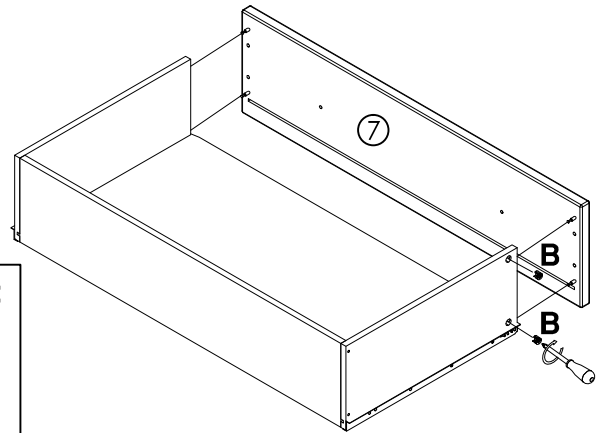
D X 12



Step 3: Insert the Drawer Bottom.



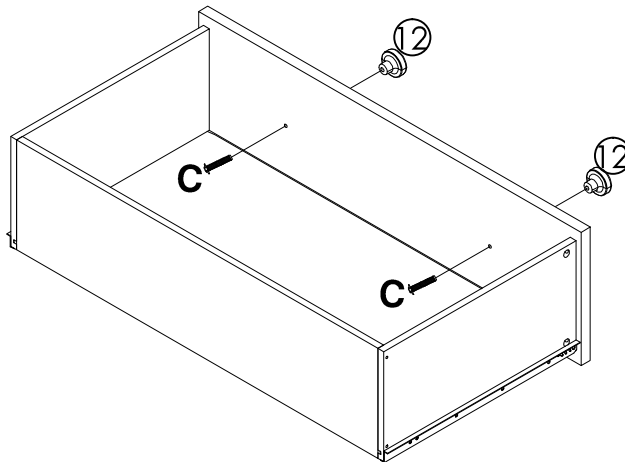
Step 4: Attach the Drawer Panel.



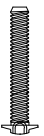
B X 12



Step 5: Attach the Handles.



C X 6

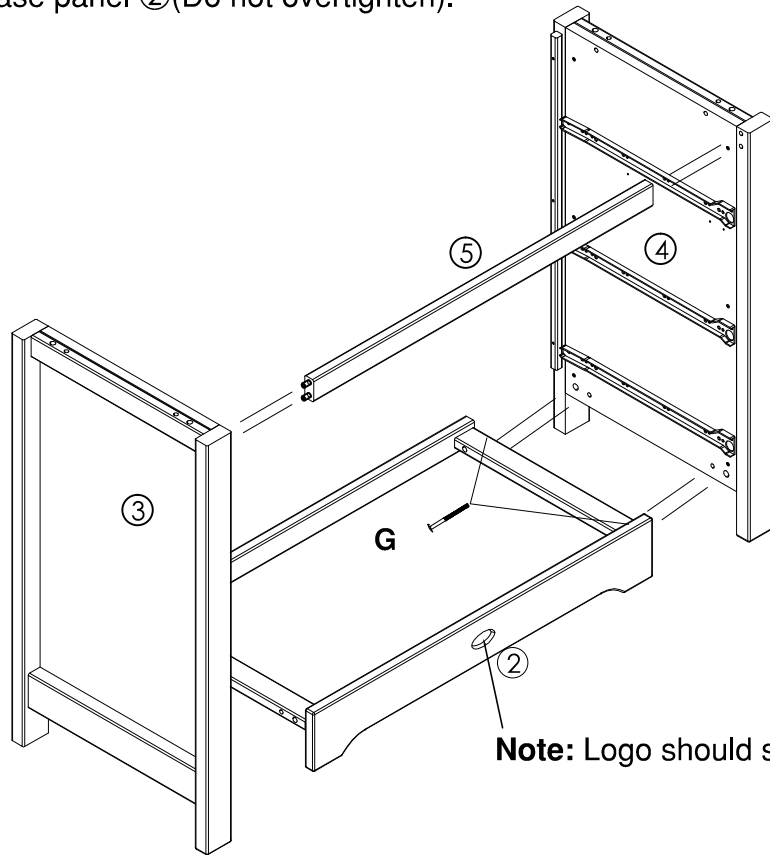


⚠ Assemble the other two Drawers in the same way.

ASSEMBLY INSTRUCTIONS

Step 6: Attach the Side Panels and Base Panel.

First, connect the base panel ② to side panels ③④ with 4 × G screws (Do not tighten). Then, place the crosspiece ⑤ between the two side panels ③④. Fasten the screws on the base panel ② (Do not overtighten).

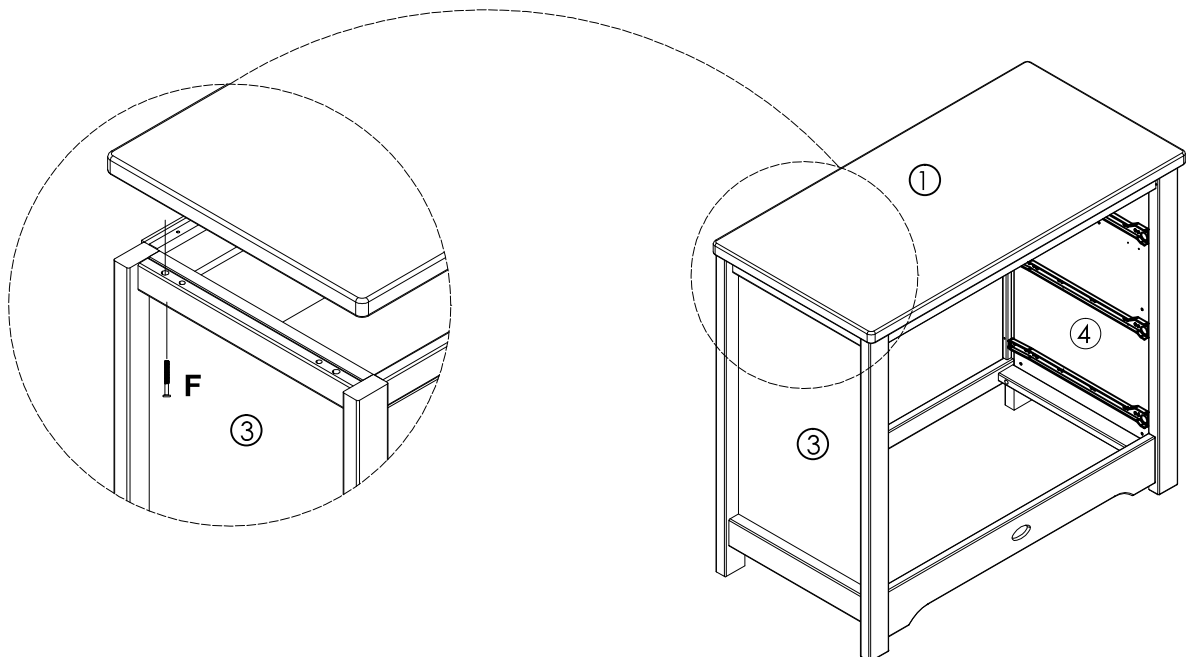


G X 4



Note: Logo should show here.

Step 7: Attach the Top Panel.

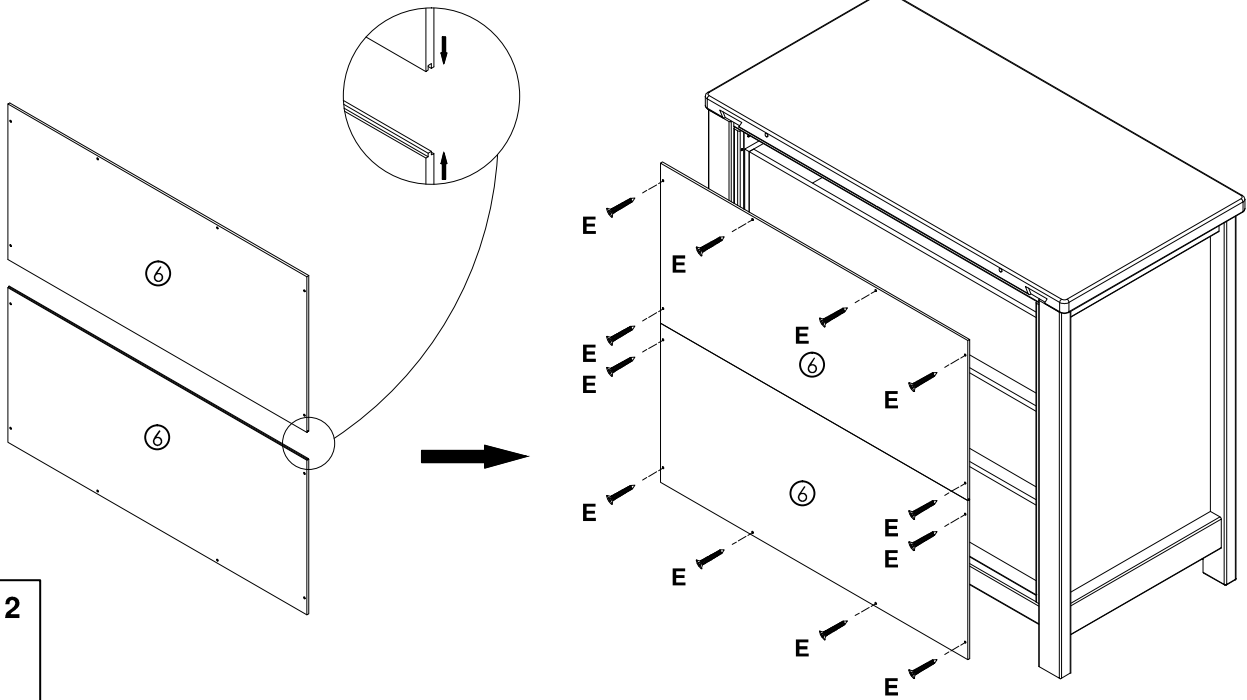


F X 4

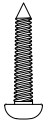


ASSEMBLY INSTRUCTIONS

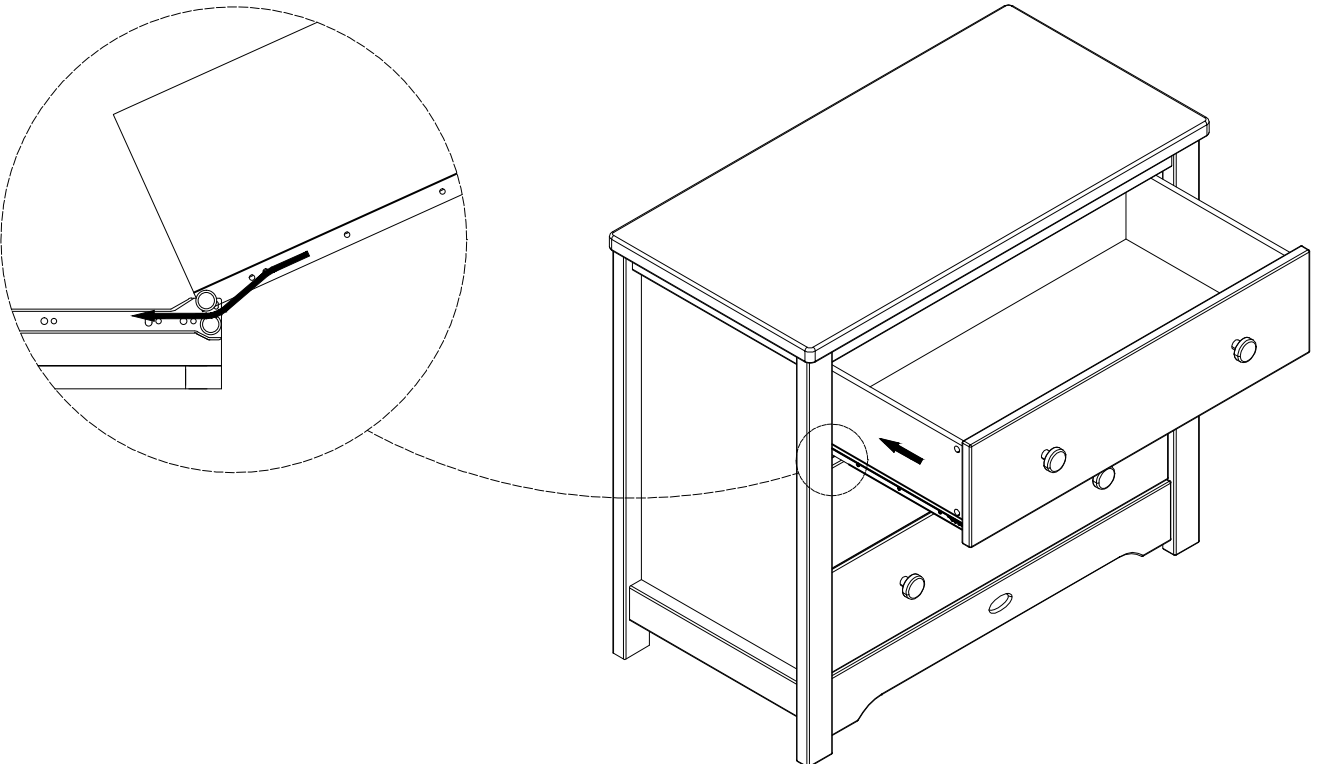
Step 8: Attach the **Back Panels**.



E X 12



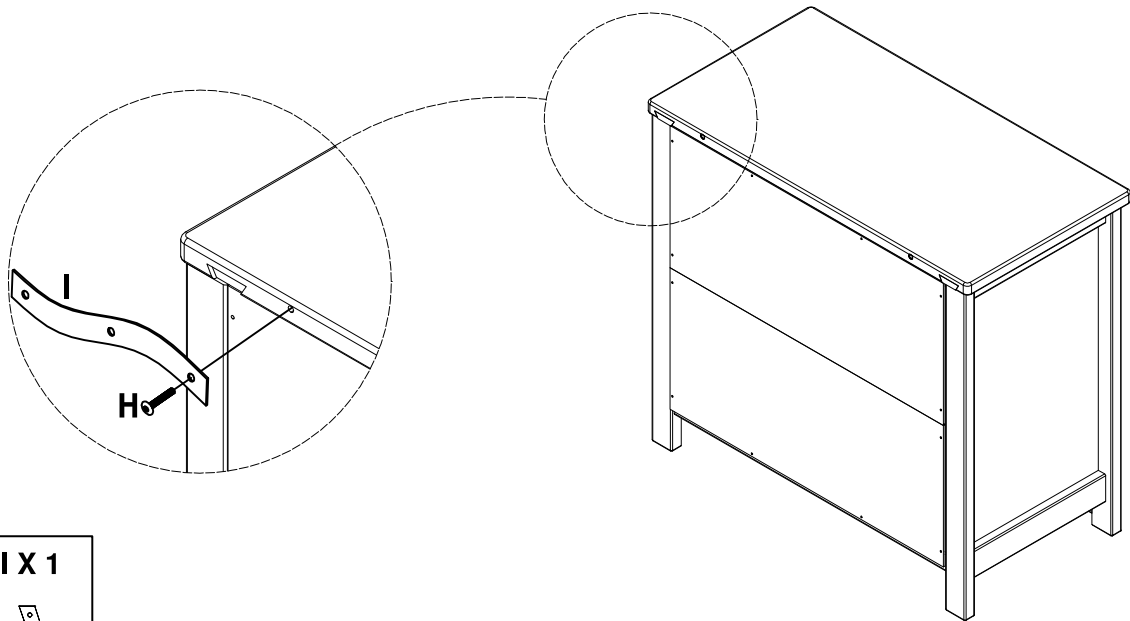
Step 9: Insert **the Drawers** into the chest.



▲ Insert the other two Drawers.

ASSEMBLY INSTRUCTIONS

Step 10: Attach the wall Strap.



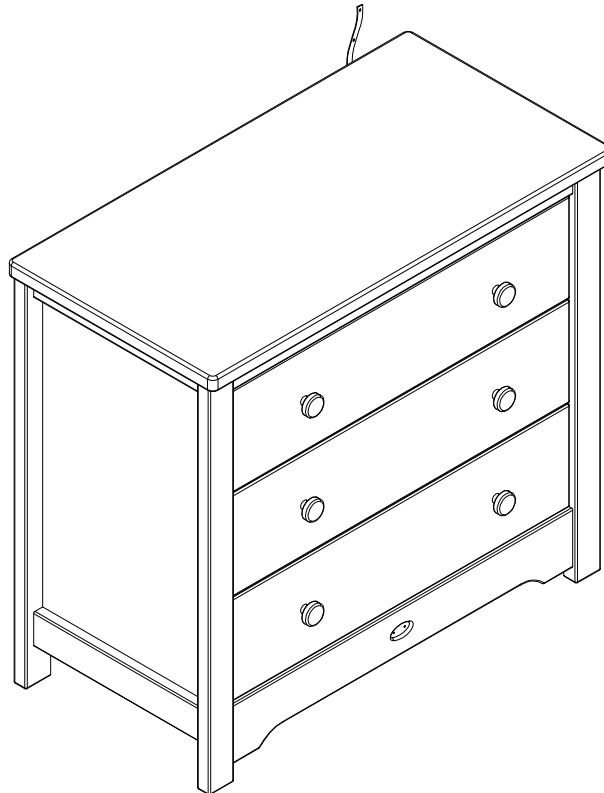
H X 1



I X 1



Step 11: Fix to the wall.



⚠ Place the assembled furniture adjacent to the wall and fix to the wall using the appropriate screw for that wall type. If you are in any doubt about the correct type of fittings to use, please seek professional advice.