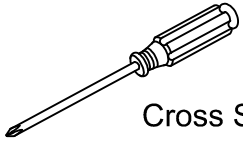


# Installation Manual

## Tools You Will Need:



Cross Screwdriver

## During Installation

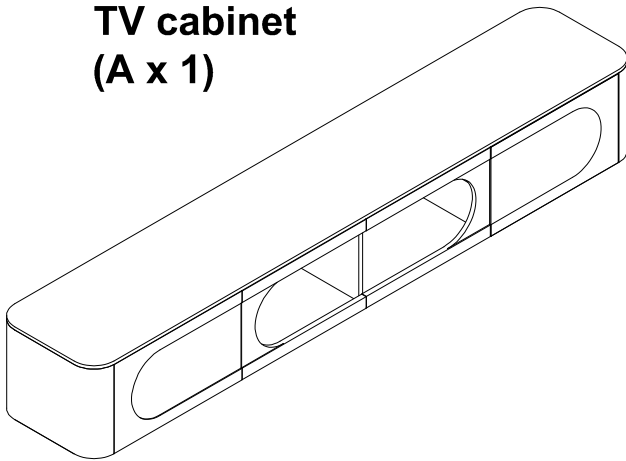
1. Do not discard packing material until assembly is complete, as small parts may loosen inside the carton during shipping. If there is a missing part, please contact our after-sales team at [service@yeerole.com](mailto:service@yeerole.com).
2. Please assemble this item on soft surfaces such as carpets to protect the finish.
3. Pay attention to stability when assembling to avoid falling or scratching.
4. Fully tighten all screws when all parts are in place.

## Cleaning and Maintenance

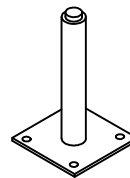
1. To protect the finish, avoid chemicals and household cleaners.
2. Keep away from the heat source to prolong the service life.
3. Wipe up any spilled liquid on top with a damp cloth.

## Components

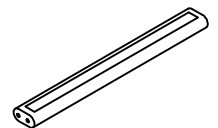
**TV cabinet  
(A x 1)**



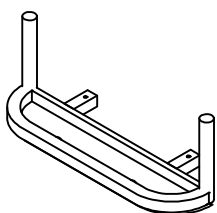
**Cabinet feet  
(B x 1)**



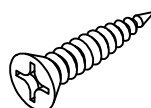
**Induction lamp  
(C x 2)**



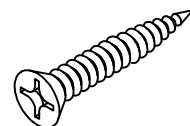
**Iron frame(D x 2)**



**Short self tapping screw  
(Ex8)**



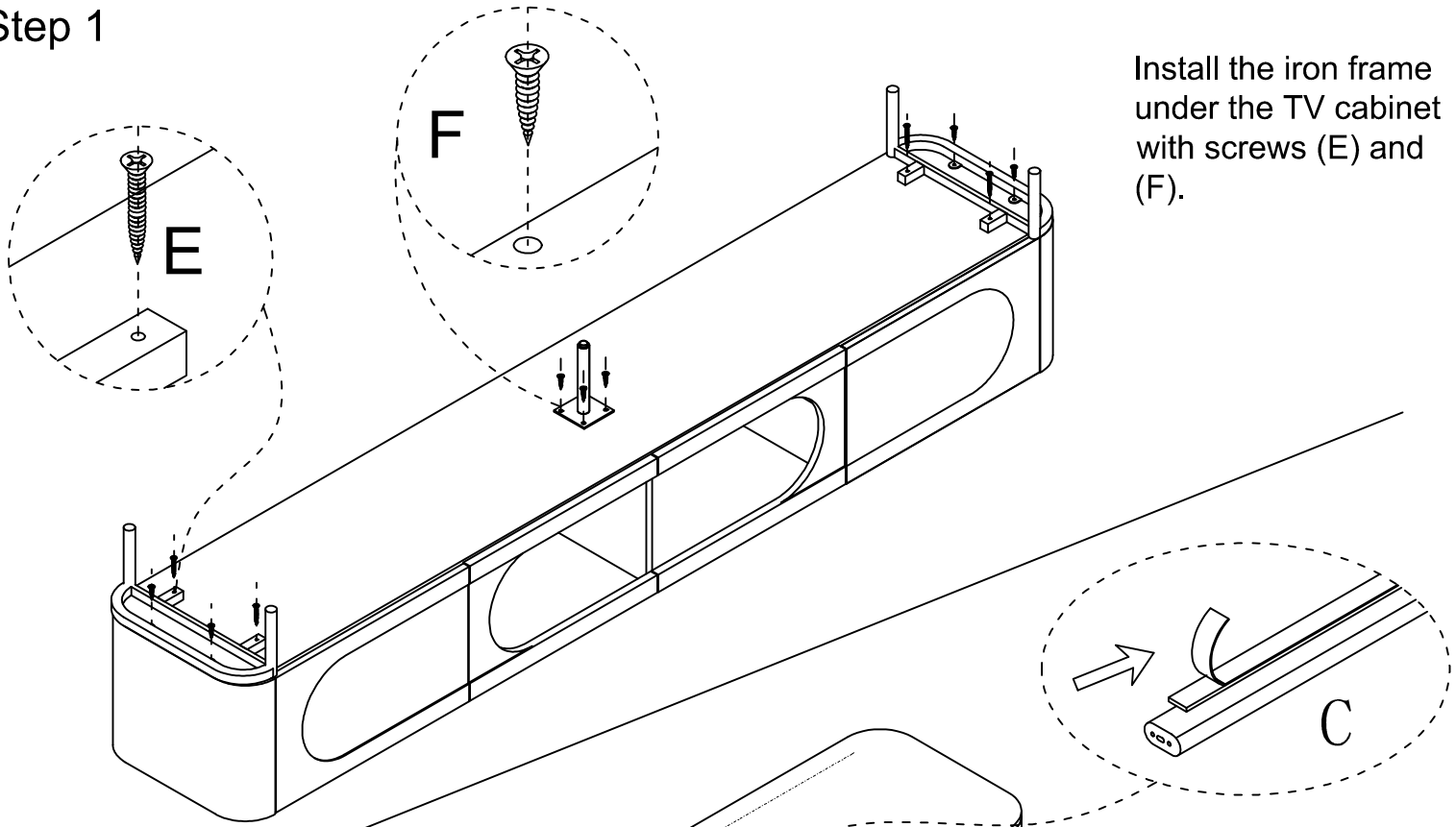
**Long self tapping screw  
(Fx4)**



**Note:** Do not fully tighten all bolts until all parts are in place Failure to follow these instructions may cause the bolt to misalign during assembly.

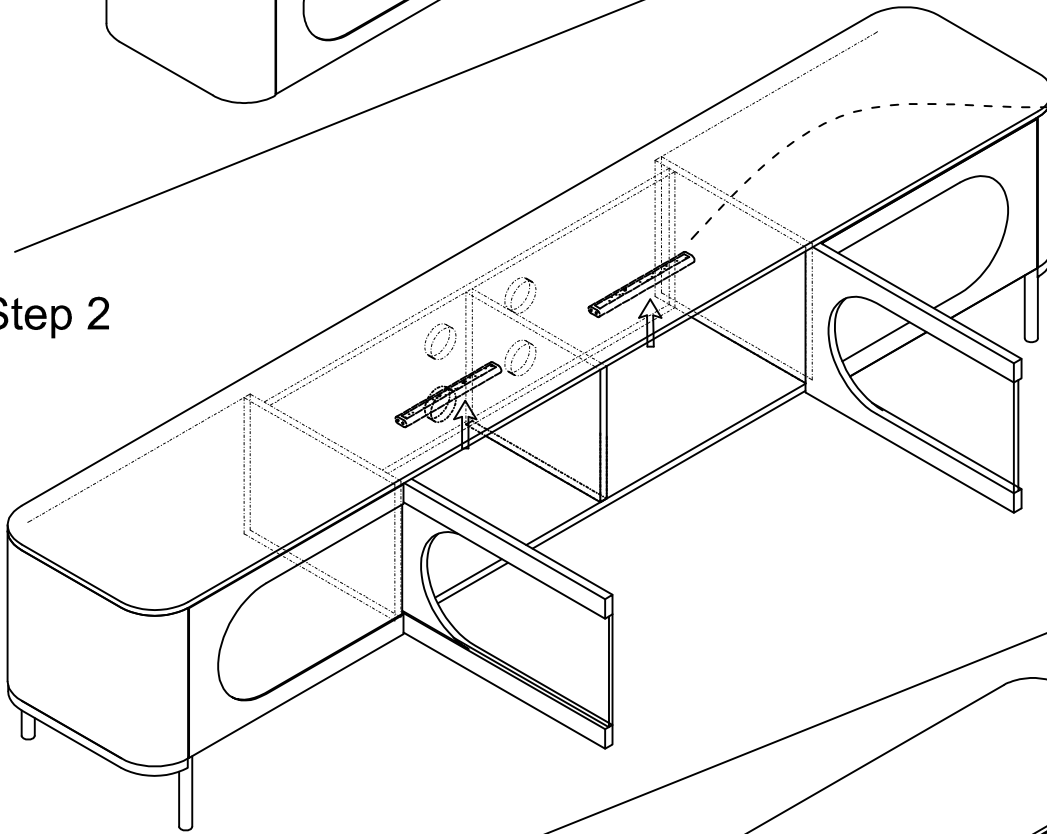
# Installation Guide

## Step 1



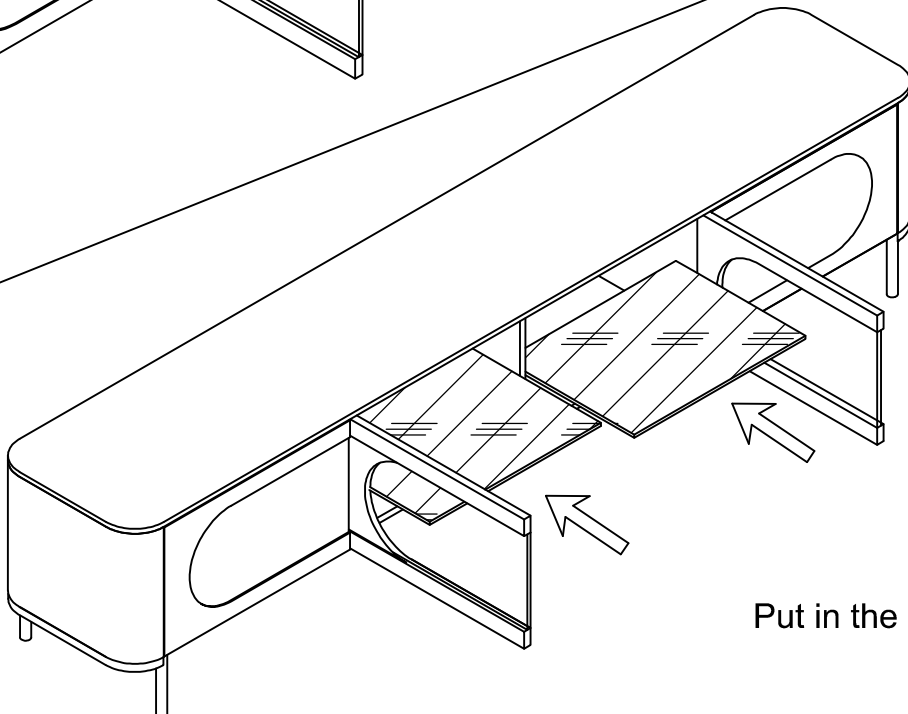
Install the iron frame under the TV cabinet with screws (E) and (F).

## Step 2



Install the induction lamp.

## Step 3



Put in the glass laminate.