



## PRODUCT INSTRUCTIONS



### The Hydrant Buddy Kit Includes:

- Hydrant Buddy Tool
- Batteries (2)
- Charger
- Socket
- Hex Key
- Wrench
- Grease Zerk
- Product Instructions
- Aluminum Crate

Read these instructions thoroughly before using the Hydrant Buddy. For more information, call HydroVerge at (952) 484-8610 or email [info@HydroVerge.com](mailto:info@HydroVerge.com). This product is sold with the understanding that the purchaser agrees to thoroughly train all operators and maintenance personnel in the correct and safe assembly, operation, and maintenance of the product and to provide adequate supervision of personnel at all times. Retain these instructions for future reference. If this product is resold or otherwise conveyed, purchaser must pass on the instructions to the new user.

# Table of Contents

- Section 1: Safety .....3**
- Section 2: Product Specifications.....4**
- Section 3: Components.....5**
- Section 4: Hydrant Buddy Controls .....6**
- Section 5: Operation .....7**
  - Set up and Operation - Hydrants.....8
  - Reverse Direction .....9
- Section 6: Other Attachments ..... 10**
  - Attachment Options ..... 10
  - Gate Valve Key ..... 11
- Section 7: Maintenance..... 14**
  - Greasing the Output Drive & Output Drive Housing ..... 14
  - Greasing the Output Drive..... 14
  - Reversing the Counter Switch ..... 16
  - Greasing the Output Drive Housing ..... 16
- Section 8: Reference Tables ..... 17**
  - Gate Valve Tables..... 17
- Section 9: Troubleshooting..... 19**

## Section 1: Safety

### **DANGER**

The incorrect use of HydroVerge equipment may cause serious injury. Read these instructions in their entirety before using any HydroVerge products.

### **WARNING**

Use caution when operating any power tool. Read and follow the operating and safety instructions in the product manual.

### **WARNING**

**MAKE SURE THE REACTION HANDLE IS PULLING AWAY FROM THE OPERATOR DURING USE.** Misuse could lead to loss of operator balance and potential fall injury.

The Hydrant Buddy is designed to produce an intense amount of torque.

**PLEASE USE EXTREME CAUTION AT ALL TIMES.**

This tool has been designed to help operators open and close valves. The tool can create in excess of 450 static lb-ft of torque.

### **CAUTION**

**NEVER** apply manual torque to open or close a valve! Use only the reaction arm to apply resistance. Use only the trigger to apply power. **ONLY USE MOTOR POWER TO ACTUATE THE VALVE, OTHERWISE, DAMAGE TO THE MOTOR MAY OCCUR.**

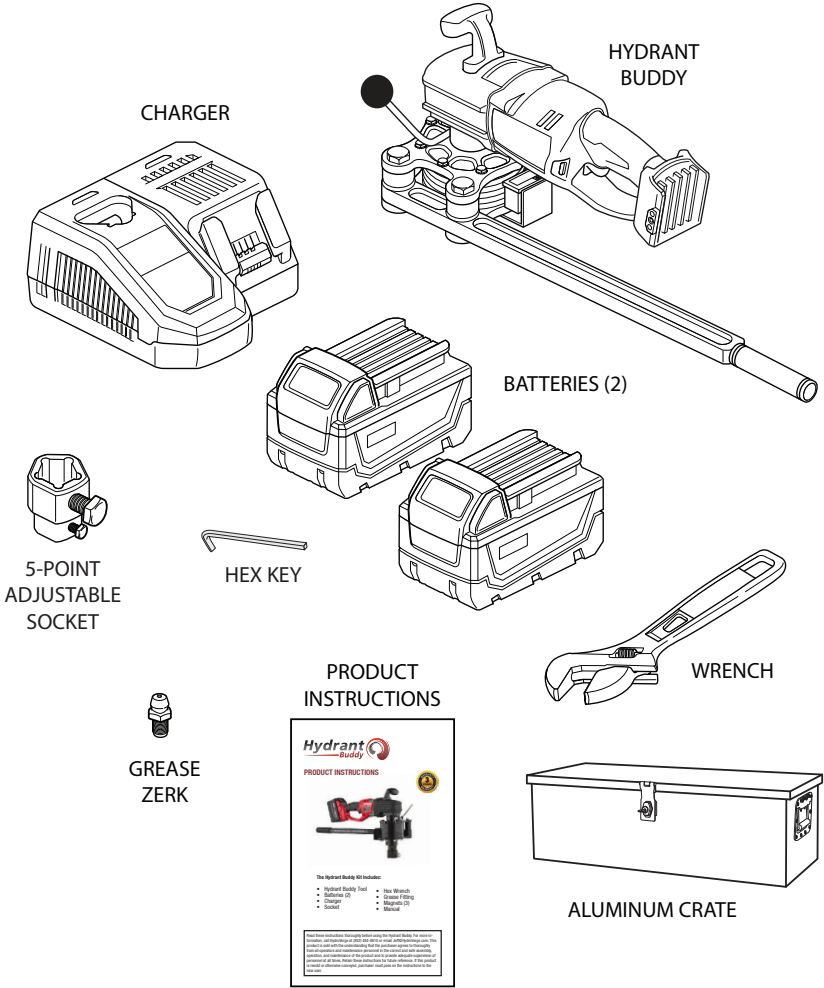
### **WARNING**

**DO NOT** attempt to tighten gearbox bolts.

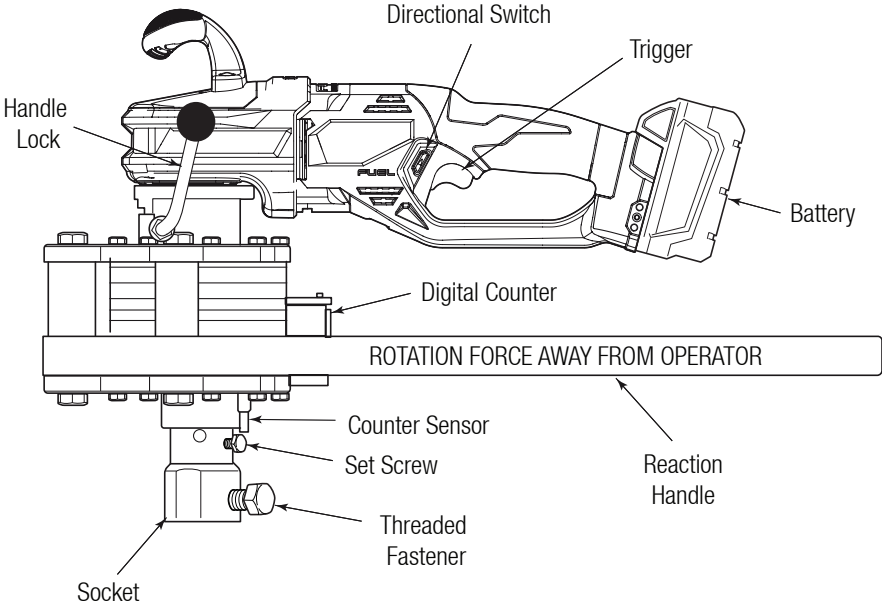
## Section 2: Product Specifications

<b>Model Name</b>	Hydrant Buddy
<b>Model Type</b>	Cordless
<b>Width (in)</b>	6.5"
<b>Length (in)</b>	26"
<b>Height (in)</b>	12" from output drive to top motor handle
<b>Weight</b>	22.5 lbs with socket and battery
<b>Battery Capacity</b>	Up to 20 hydrants / 10 gate valves
<b>Battery Charge Time</b>	65 minutes
<b>Variable Speed</b>	Up to 30 rpms
<b>Torque</b>	Up to 400 static lb-ft  <b>NOTE:</b> This is lower than Section 1 states because this is the torque the tool starts out with. Once broken in, the tool will have less friction and more torque.

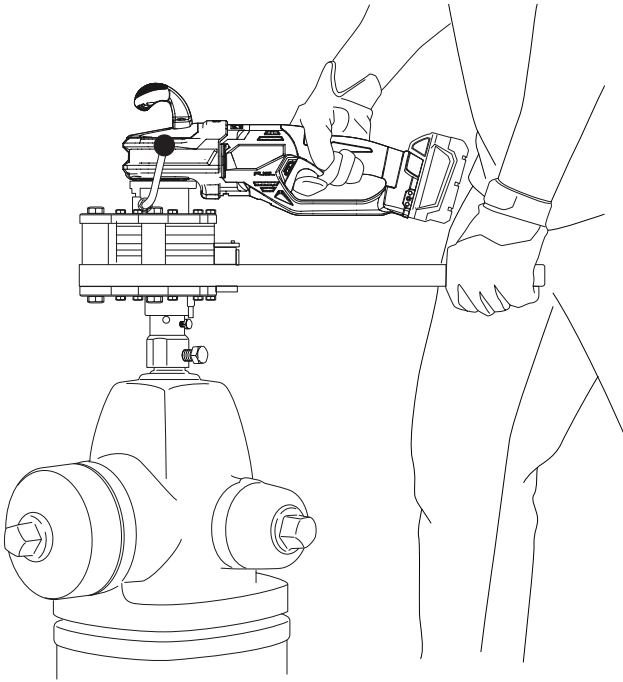
# Section 3: Components



# Section 4: Hydrant Buddy Controls



## Section 5: Operation



### **⚠ WARNING**

MAKE SURE THE REACTION HANDLE IS PULLING AWAY FROM THE OPERATOR DURING USE. Misuse could lead to loss of operator balance and potential fall injury.

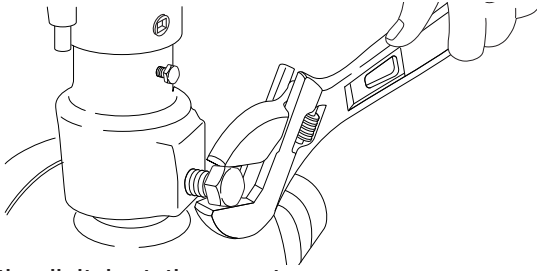
### **⚠ CAUTION**

NEVER apply manual torque to open or close a valve! Use only the reaction arm to apply resistance. Use only the trigger to apply power. ONLY USE MOTOR POWER TO ACTUATE THE VALVE, OTHERWISE, DAMAGE TO THE MOTOR MAY OCCUR.

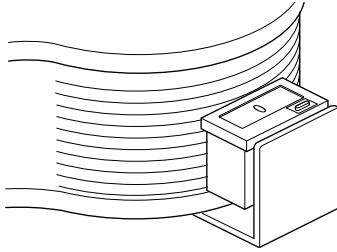
**Follow all Hydrant Buddy procedures outlined in these Product Instructions. Failure to follow product usage instructions, including manually turning the valve, will invalidate the product warranty.**

## Set up and Operation - Hydrants

1. Insert the socket onto the Hydrant Buddy 3/4" square drive shaft.
2. Tighten the set screw to secure the socket.
3. Place the Hydrant Buddy with the socket onto the hydrant with the reaction handle facing away from the operator.
4. Adjust socket size by turning threaded fastener.



5. Zero out the digital rotation counter.

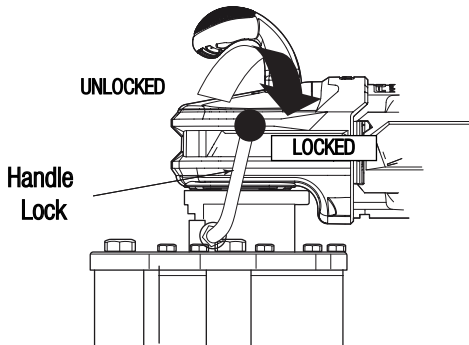


6. See the hydrant manufacturer's specifications to determine the approximate number of valve rotations.
7. Using the variable speed trigger, operate the motor to the left for clockwise rotation or to the right for counter clockwise rotation, making sure the reaction handle is pulling away from the operator.



## Reverse Direction

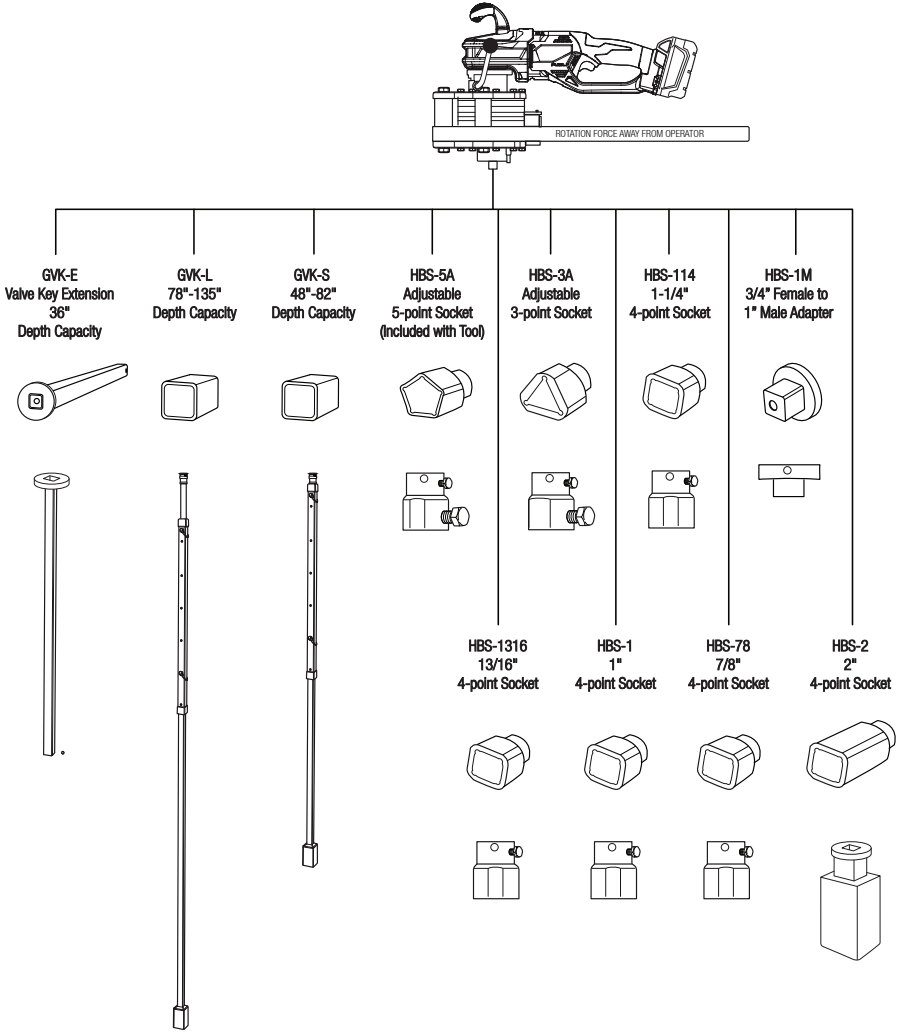
1. Move the handle lock to the “unlocked” position and swing the reaction handle to the opposite side of the Hydrant Buddy.



2. Now, move the handle to the “locked” position. This sets the reaction handle again pulling away from the operator.
3. Move the directional switch in the opposite direction.
4. Again using the variable speed trigger, operate the motor slowing down as the counter reaches zero.
5. Remove the Hydrant Buddy from the hydrant valve.

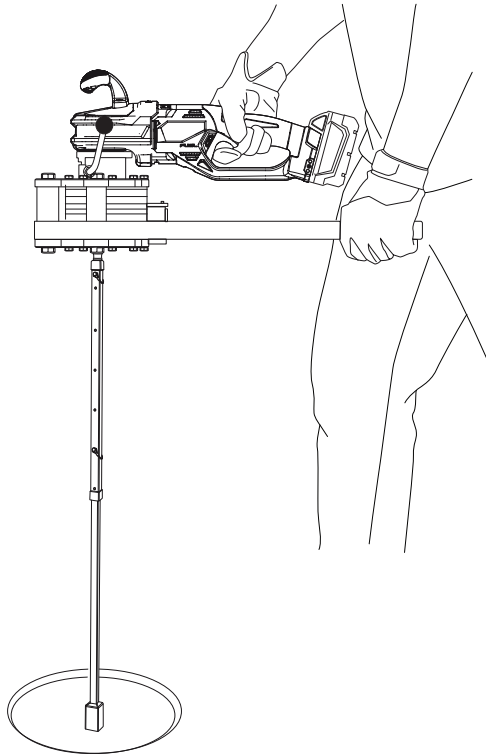
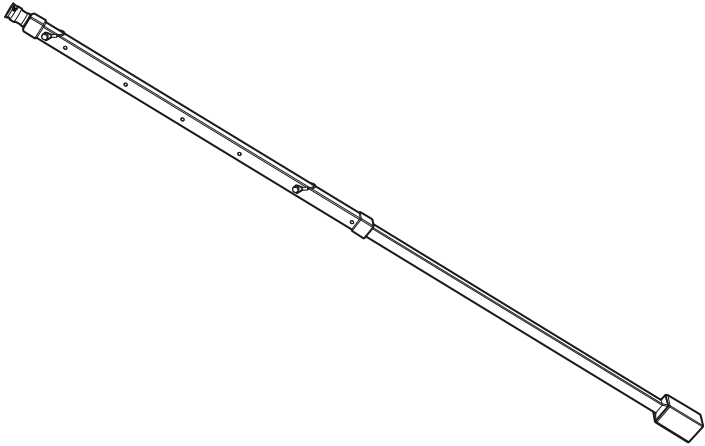
# Section 6: Other Attachments

## Attachment Options



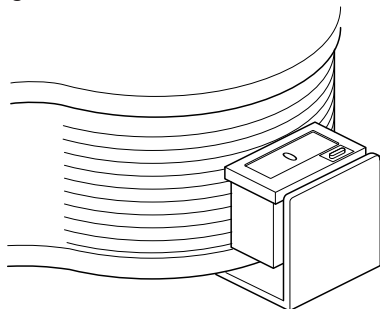
## Gate Valve Key

The gate valve key can be purchased separately. It fits onto a 2" square operating nut attaching directly to the Hydrant Buddy to exercise gate valves.



## Set up and Operation - Gate Valves

1. Place the gate valve key onto the operating nut.
2. Adjust the length of the key to ensure the top of the key is at a comfortable height for the operator.
3. Ensure the Hydrant Buddy tool is fully seated on the gate valve key with the reaction handle facing away from the operator.
4. Zero out the digital rotation counter.



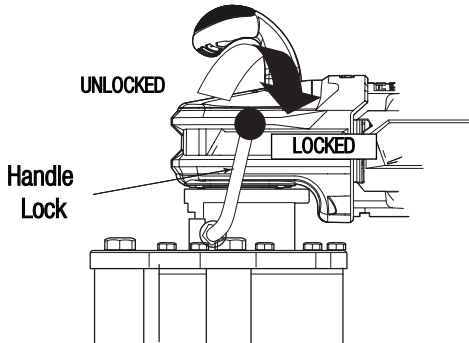
### **WARNING**

Some valves open to the left and some open to the right.  
See the hydrant manufacturer documentation.

5. See the hydrant manufacturer's specifications to determine the approximate number of valve rotations.
6. Using the variable speed trigger, operate the motor to the left for clockwise rotation or to the right for counter clockwise rotation, making sure the reaction handle is pulling away from the operator.

## Reverse Direction

1. Move the handle lock to the “unlocked” position and swing the reaction handle to the opposite side of the Hydrant Buddy.



2. Now, move the handle to the “locked” position. This sets the reaction handle again pulling away from the operator.
3. Move the directional switch in the opposite direction.
4. Again using the variable speed trigger, operate the motor slowing down as the counter reaches zero.
5. Remove the Hydrant Buddy from the gate valve key.

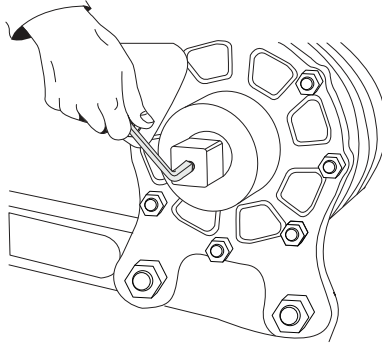
## Section 7: Maintenance

### Greasing the Output Drive & Output Drive Housing

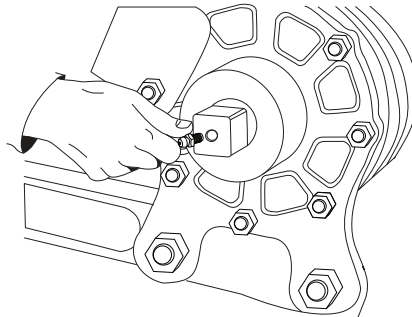
For proper operation, the Hydrant Buddy should be greased in two locations every 12 months.

#### Greasing the Output Drive

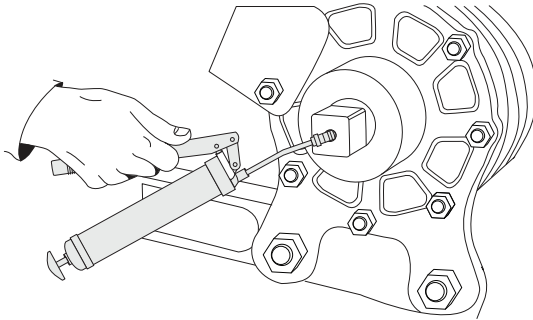
1. Using the included hex key, remove the threaded plug from the output drive.



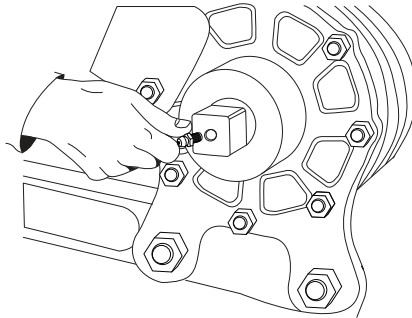
2. Insert the grease zerk into the output drive threaded hole.



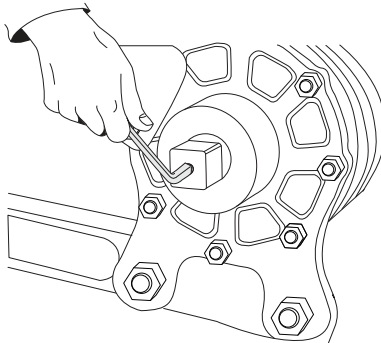
3. Attach a grease pump containing ThermaPlex Hi-load - Item #70414.



4. Pump 1 oz. of grease.
5. Disconnect the grease pump.
6. Rotate the output drive by slowly operating the Hydrant Buddy motor.
7. Repeat steps 3-6 four more times.
8. Remove the grease zerk.



9. Insert the threaded plug back into the output drive threaded hole and tighten with the hex key.



10. Wipe off the excess grease from the exterior of the gearbox.

## **Reversing the Counter Switch**

If you typically use the Hydrant Buddy for only gate valves and want to switch the direction of the counter, use the following process:

1. Remove the screw on the counter.
2. Swap the sensor positions.
3. Tighten the screw to hold the sensor to a torque of 10 lb-in.
4. Use blue Loctite or other non-permanent threadlocker to ensure the screw does not loosen.

## **Greasing the Output Drive Housing**

1. Attach a grease pump to the zerk fitting already installed on the output drive housing.
2. Pump 1 oz. of grease into the output drive.
3. Disconnect the grease pump.
4. Wipe off the excess grease from the exterior of the output drive housing.



## Section 8: Reference Tables

### Gate Valve Tables

**NOTE:** The following tables are for reference only. For more accurate information, see the specific hydrant manufacturer to determine the number of valve rotations.

#### Most Double Disk Valves Used in Water Systems

Valve Size	Number of Turns
3"	7-1/2
4"	14-1/2
6"	20-1/2
8"	27
10"	33-1/2
12"	38-1/2
14"	46
16"	53
18"	59
20"	65

## Most Metal-Seated Sewage Valves

Valve Size	Number of Turns
3"	11
4"	14
6"	20
8"	27
10"	33
12"	38
14"	46
16"	53
18"	57
20"	65

## Section 9: Troubleshooting

<b>Problem</b>	<b>Remedy</b>
Motor is loose and rotates freely	Tighten the lock handle nut slightly so when open it can be moved, but when closed the handle is tight.
Counter not counting	Ensure the magnet is properly located on the socket so the counter can catch each rotation.

Please call HydroVerge at 952-484-8610 at any time with questions. We are available and eager to answer your questions about the proper use of the Hydrant Buddy, as well as, solve any problems you may have with the tool.



# HYDROVERGE

Powerful Innovation

For the latest in Hydrant Buddy product news and insights, visit our website at [www.HydroVerge.com](http://www.HydroVerge.com). For more information, call HydroVerge at (952) 484-8610 or email [info@HydroVerge.com](mailto:info@HydroVerge.com).

