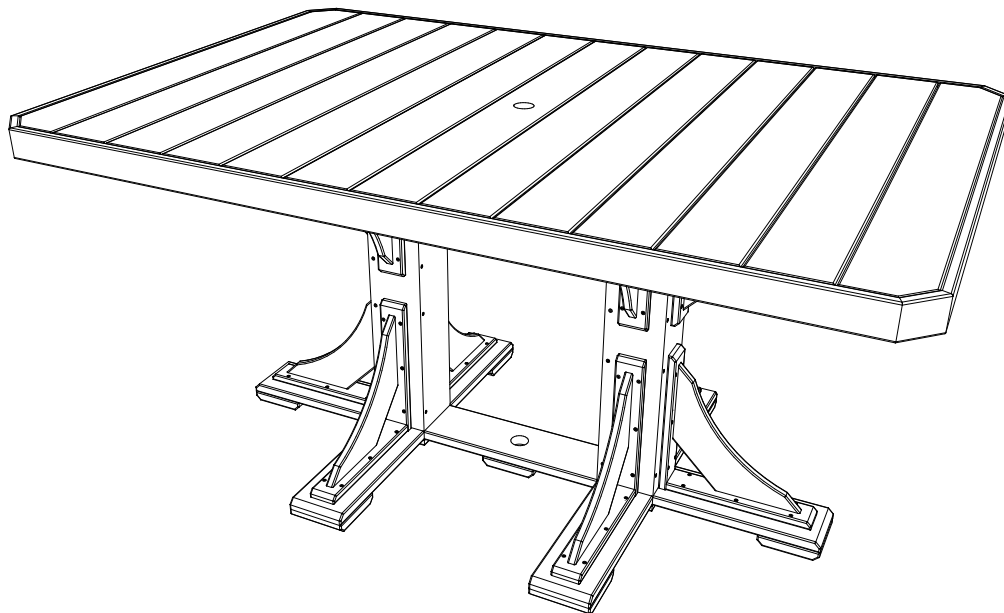
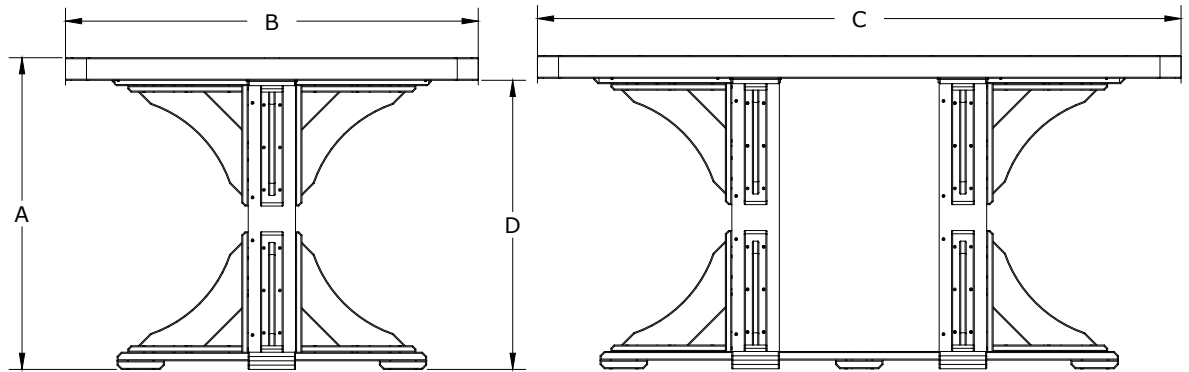




A	Overall Height	36 1/4"
B	Overall Depth	48"
C	Overall width	74
D	Floor to bottom of Skirting	33-3/4"
	Umbrella Hole 1-3/4"	
	Weight 242Lbs.	



Poly 4 x 6 Rectangular Table Counter Height Dimensions

10/31/ 2017	R.M.
-------------	------