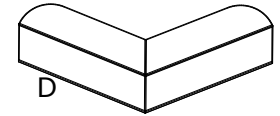
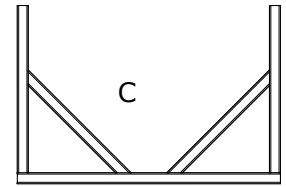
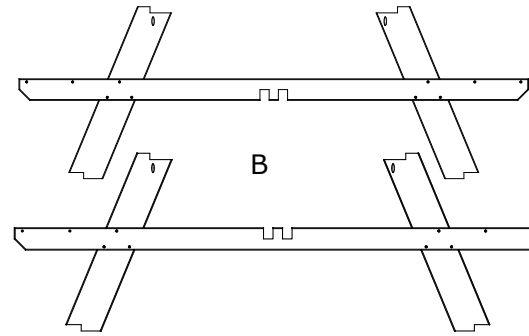
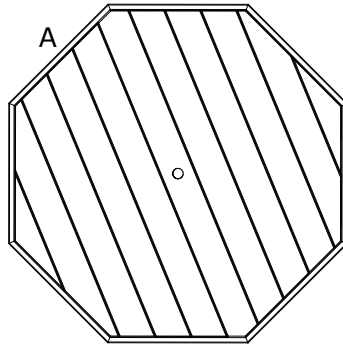




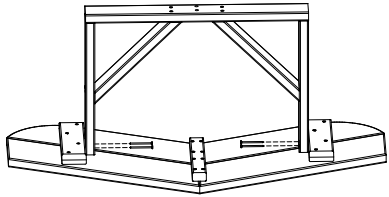
- Parts list
1 - (A) Top
2 - (B) Legs
4 - (C) Seat Base
4 - (D) Seat
Hardware
44 - 2 1/2" Screw
8 - 2" Screw

Tools Required

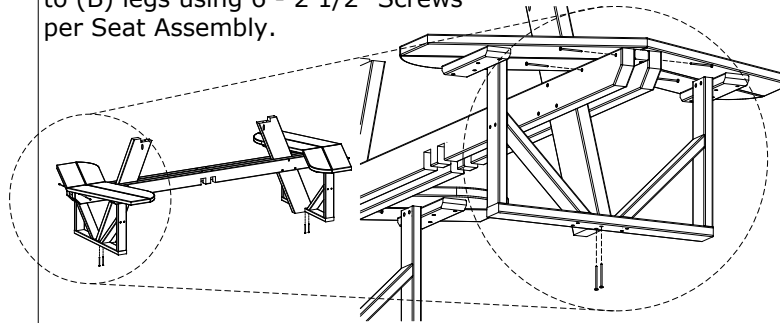
#2 Square Drive Bit
(Not Included)



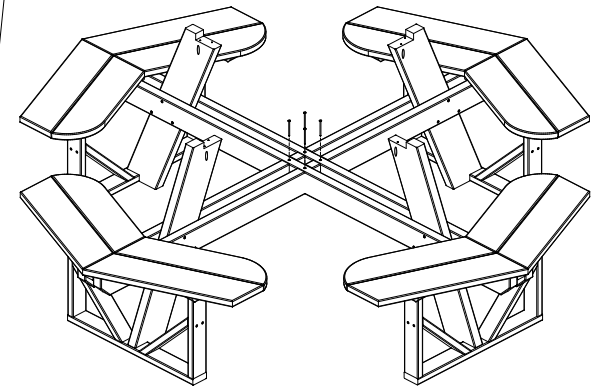
1. Lay (D) Seat on a soft blanket to prevent scratches. Attach (C) Seat Base to (D) Seat using 4 - 2 1/2" Screws, Align (C) Seat Base with Lines on (D) Seat.



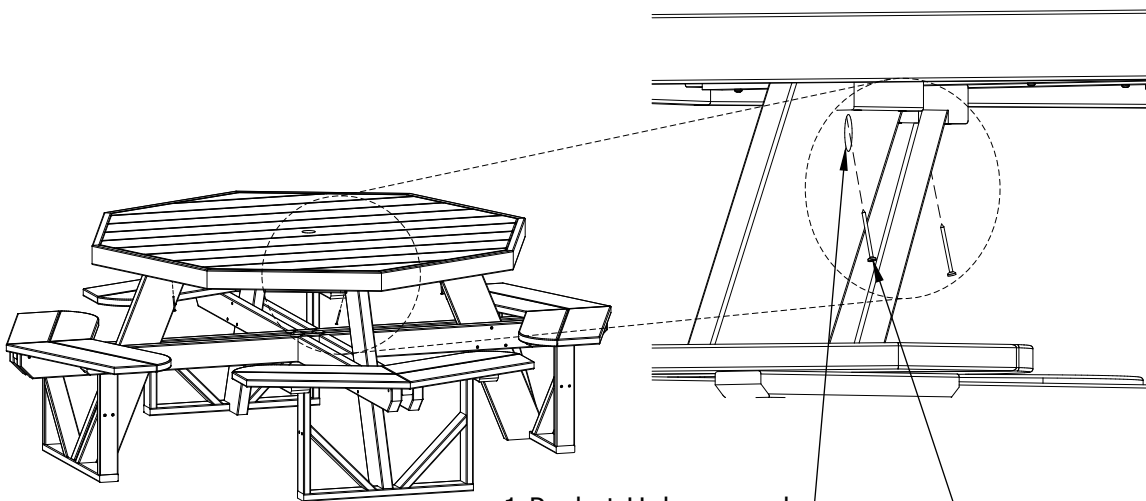
2. Attach Seat Assembly From Step 1. to (B) legs using 6 - 2 1/2" Screws per Seat Assembly.



3. Set together both Leg Assemblies installing 4 - 2 1/2" Screws .



4. Attach (A) Top to assembled Base from step 3 using 8 - 2" Screws in Pocket Holes .



1 Pocket Hole on each side of Leg.

2" Screw



Poly Octagon Picnic Table Assembly Instructions

12/12/ 2017

R.M.