

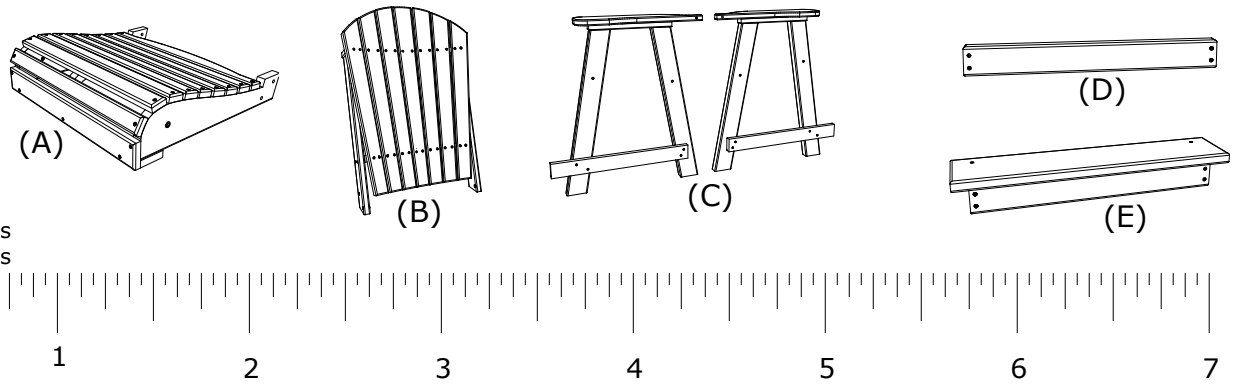


Parts List

- 1 - (A) Seat Assembly
- 1 - (B) Back Assembly
- 2 - (C) Armrest Assemblies
- 1 - (D) Back Part Footrest
- 1 - (E) Front Part Footrest

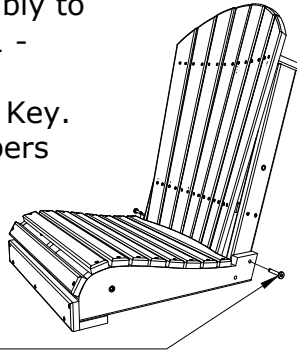
Hardware

- 4 - 5/16" x 2" Stainless Wafer Bolts
- 2 - 5/16" x 2 1/2" Stainless Wafer Bolts
- 2 - 5/16" x 3 1/2" Stainless Wafer Bolts
- 10 - 2" Screws
- 1 - 5/32 Hex Key



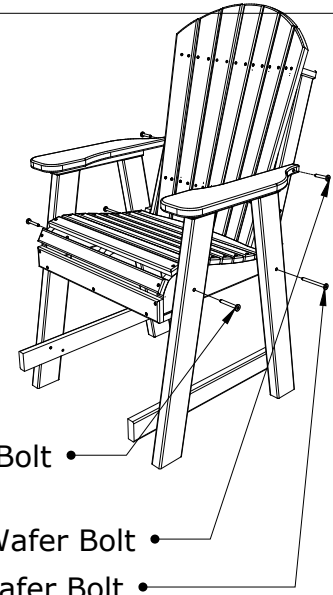
Tools Required
 5/32 Hex Key (Included)
 #2 Square Drive Bit (Not Included)

1. Attach (B) Back Assembly to (A) Seat Assembly using 1 - 2" Wafer Bolt per side, Tighten with included Hex Key. Be sure to match all numbers & or letters.



2" Wafer Bolt

2. Attach (C) Armrest Assemblies using 1 - 2" Wafer Bolt
 1 - 2 1/2" Wafer Bolt
 1 - 3 1/2" Wafer Bolt per side, tighten with included Hex Key. Be sure to match all numbers & or letters.

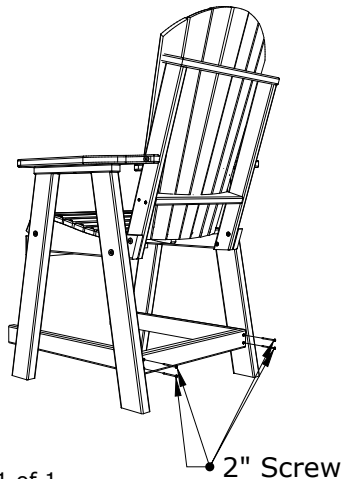


2 1/2" Wafer Bolt

2" Wafer Bolt

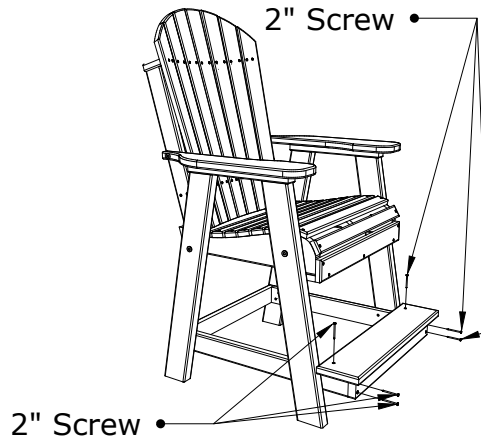
3 1/2" wafer Bolt

3. Attach (D) Back Part Footrest using 2 - 2" Screws per side in predrilled holes. Be sure to match all numbers & or letters.



2" Screw

4. Attach (E) Front Part Footrest using 3 - 2" Screws per side in predrilled holes. Be sure to match all numbers & or letters.



2" Screw

2" Screw



Adirondack Balcony Chair Assembly Instructions

10/16/ 2017

R.M.