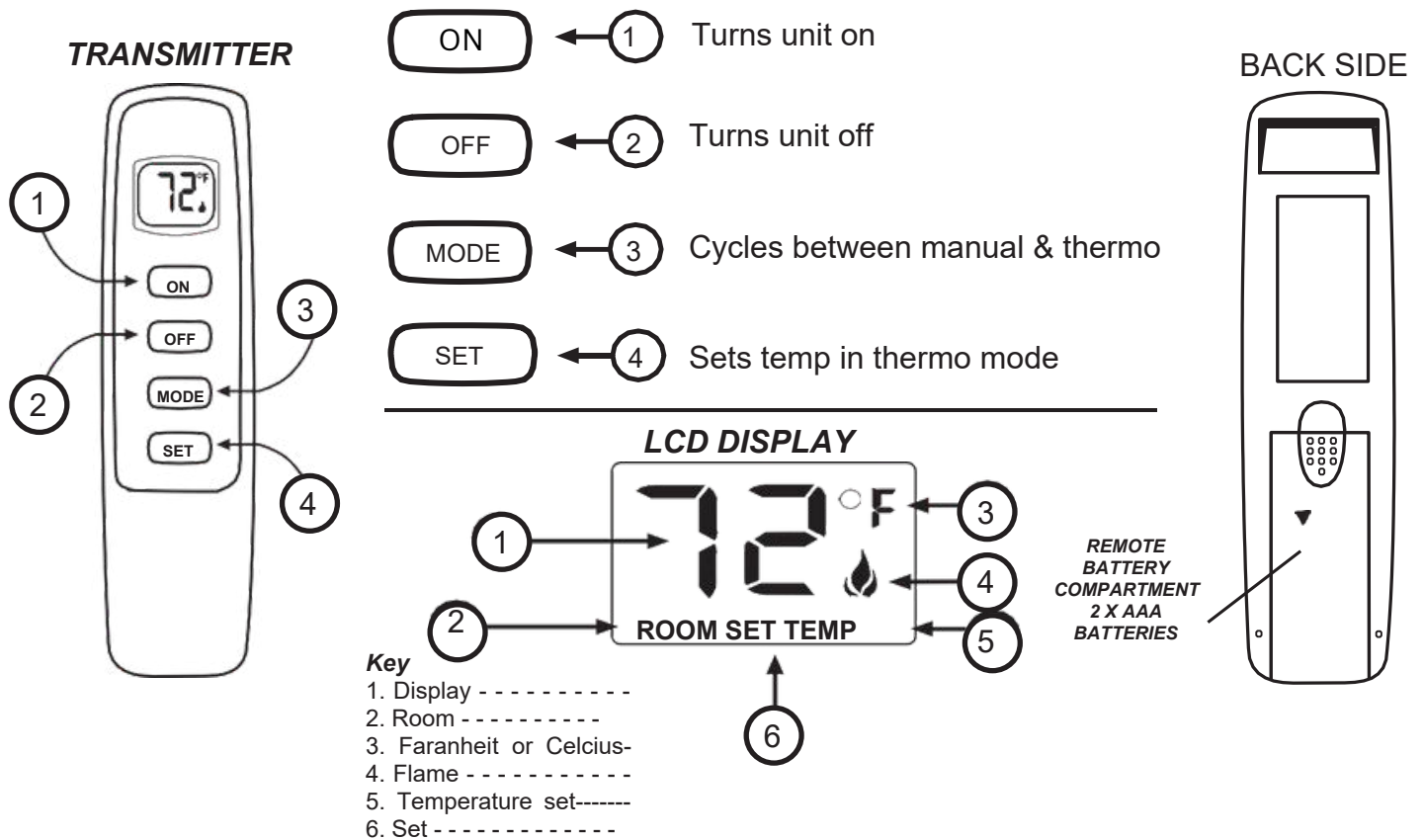


**ILLUSION GAS LOG FIRES REMOTE CONTROLLER OPERATING AND FITTING INSTRUCTIONS**



**SETTING UP THE REMOTE**

The factory setting is in Faranheit.

To change to Celsius, press ON and OFF buttons at the same time. (Buttons 1 & 2)

Press ON to turn the appliance on (The flame icon will appear) (Button 1)

Press OFF to turn the appliance off. (Button 2) The flame icon will disappear.

To use the Thermostat function press MODE (Button 3) until the LCD screen shows ROOM.

Then press & hold the SET button (Button 4) until the desired temperature is reached.

To turn off Thermostat mode, press the MODE button (Button 3)

**SETTING CHILDPROOF "LOCK-OUT" -(CP)**

- To activate the "LOCK-OUT" feature, press and hold the ON button and the MODE button at the same time for 5 seconds. The letters CP will appear in the TEMP frame on the LCD screen.
- To disengage the "LOCK-OUT", press and hold the ON button and the MODE button at the same time for 5 seconds and the letters CP will disappear from the LCD screen and the transmitter will return to its normal operating condition.
- To verify that transmitter is in the CP lock-out mode press any key and the LCD screen will show "CP"

NOTE: If the appliance is already operating in the ON or THERMO MODES, engaging the "LOCK-OUT" will not cancel the operating MODE. Engaging the "LOCK-OUT" prevents only the manual operation of the TRANSMITTER. If in the auto modes, the THERMO operation will continue to operate normally. To totally "LOCK-OUT" the operation of the TRANSMITTER'S operating signals; the transmitter's MODE must be set to OFF.

**TRANSMITTER WALL CLIP**

The transmitter can be hung on a wall using the clip provided. If the clip is installed on a solid wood wall, drill 1/8" pilot holes and install with the screws provided. If it is installed on a plaster/wallboard wall, first drill two 1/4" holes into the wall. Then use a hammer to tap in the two plastic wall anchors flush with the wall; then install the screws provided.

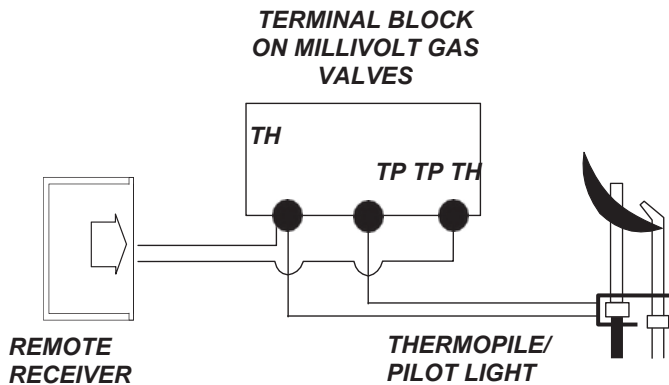
**ILLUSION GAS LOG FIRES REMOTE CONTROLLER OPERATING AND FITTING INSTRUCTIONS**

**WIRING INSTRUCTIONS**

A qualified electrician or a gas technician who is familiar with the gas appliance and gas valves that will be operated by this remote should install the remote control system. Incorrect wiring connections WILL cause damage to the gas valve or electronic module operating the gas appliance and may also damage the remote receiver.

**WIRING MILLIVOLT VALVES**

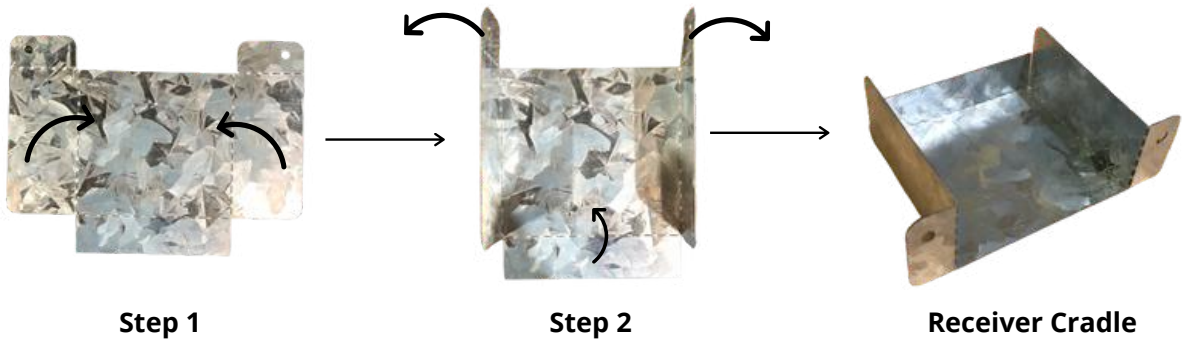
The remote receiver is connected to the millivolt valve using the TH (thermostat) terminals on the terminal block on the millivolt gas valve. Connect 18 gauge solid or stranded wires from the remote receiver to the gas valve.



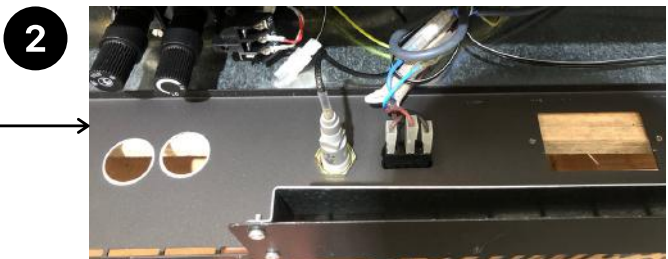
Operation of the remote receiver is similar to that of a thermostat in that both turn the gas valve ON and OFF based on input signals. A thermostat's input signals are different temperatures. The remote receiver's input signals come from the transmitter.

Connect each of the two wires leading from the TH terminals on the millivolt gas valve to either of the two wire terminals on the remote receiver. Normally it does not matter which wires go to which terminal.

# Receiver Cradle Installation Instructions



Open control panel door to access control panel. Remove the receiver box cover and then remove the control panel cover. (2 or 3 screws depending on model of heater)



Remove the control panel cover slowly to prevent the removal of internal wiring.



Place receiver Box in the cradle



Line up the receiver cradle with the cut out in the control panel and screw into place



Put the control panel cover back into place

## Troubleshooting Fireplace Remote Control

1. Locate the receiver box that pairs with your remote control. It should be located within your fireplace, usually behind an access door/panel.



2.

Image 1 – Receiver Box

Test to make sure the receiver box is working by moving the slider switch to the “ON” position. The Red LED on the top right corner of the receiver box should flash once. Your fireplace should now turn on provided the pilot light is lit and the Pilot Knob is in the “ON” Position.

3. For the Receiver box and the Remote control, check to see if the batteries are fully inserted and touching the contacts. Also, make sure that there is no corrosion within the battery compartments. We recommend “VARTA” batteries most commonly found at Bunnings.

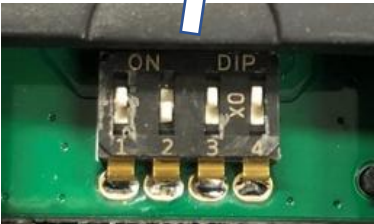
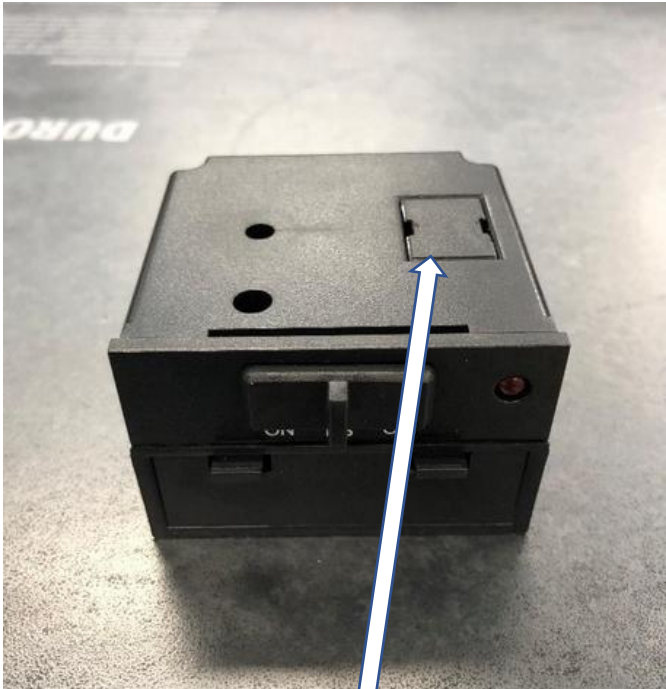


Image 2 – Remote Control



Image 3 – Receiver Box

4. Next, check the DIP switches located on both the remote control and the receiver box.



Pry open the DIP cover

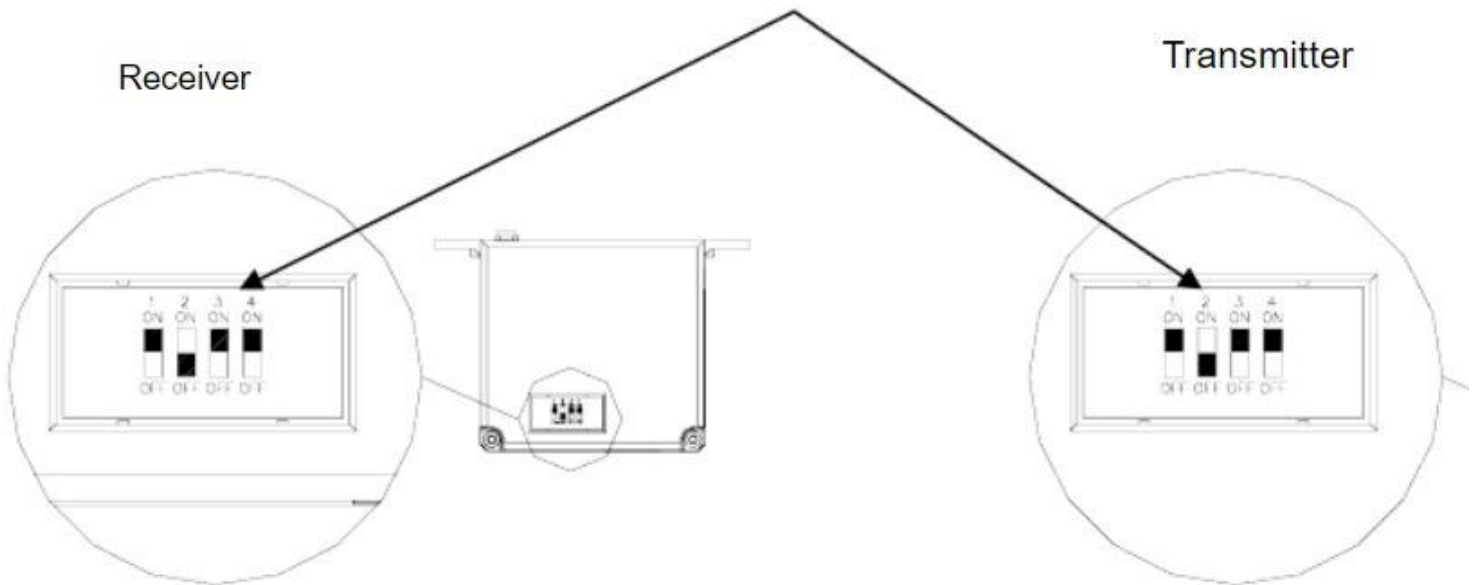
5. Match, the DIP switches on both the Remote Control and Receiver Box to your liking. Remember, that they must match for the system to work.



Dip Switch (Default)

Receiver

Transmitter



6. To pair the Remote control and Receiver box, put the slider switch located on the receiver box to the “RS” position. The red LED should flash once.
  
7. Next, press the “ON” button on the Remote Control and the Red LED on the Receiver box should flash, twice. The pairing process is now complete.