

Illusion
Gas Log Fires

PROUDLY
AUSTRALIAN MADE

Mystique

GAS LOG FIRE



The Illusion Mystique is beautifully crafted with an elegant slimline appearance. It adds a modern appearance and a touch of class to any home or alfresco area.

The Illusion Mystique gas log fire contains logs molded directly from Australian hardwood and each log is hand painted, right here in Australia. It has a large viewing pane and will easily heat up to 120-150 Sq Meters.

It comes complete with a standard specially designed balanced flue, 3-speed fan and optional remote to control hi-lo flame control and remote operation

INBUILT GAS LOG FIRES BY ILLUSION

Australia's Leading Gas Log Fire Manufacturer

CERTIFICATION



Certificate Holder: Illusion Australia Pty. Ltd.
145 South Gippsland Hwy.
Dandenong South Vic 3175
ABN: 35005 834 784

Manufacturer: A.G. Building Developments Pty. Ltd.

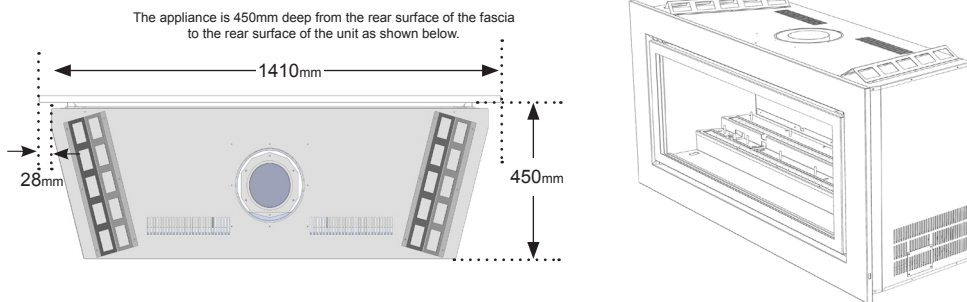
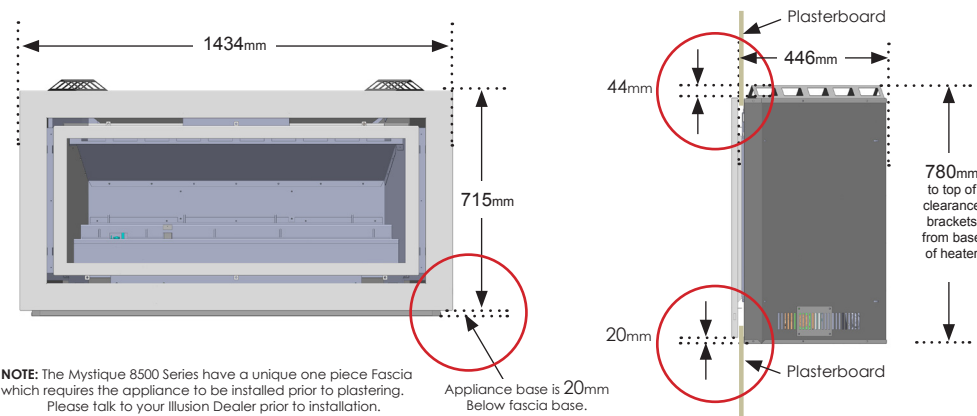
Certificate Number: GMK 10363
Issue Date: 21/4/2017

Distributor:	Brand Name:	Model ID:	Gas Type	MJ/h
ILLUSION	MYSTIQUE	8500L	NATURAL	45
ILLUSION	MYSTIQUE	8500L	LPG	42

All Illusion Mystique Gas Log Fires have been tested and approved to AS: 4558

Russ Chaney Chief Executive Officer of the IAPMO Group
This GasMark Schedule supersedes all previously issued Schedules

DIMENSIONS



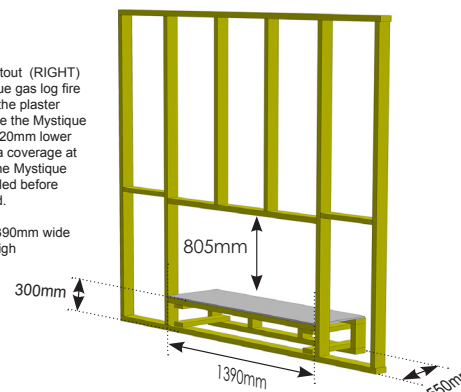
Please note: Mystique gas log fires can be installed as either wall mounted or floor mounted. The Flue system must be installed by an Authorised installer. Some installations may require the provision of a hearth to protect the floor from radiant heat. Contact your Illusion dealer for more information.

FRAME CUTOUT

Mystique Frame and plaster cutout dimensions.
NOTE: Minimum frame depth 550mm.

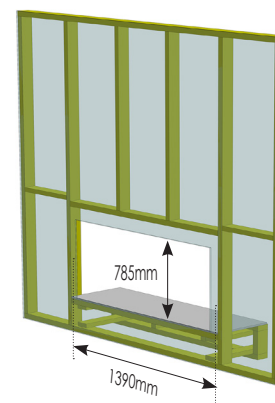
The Frame cutout (RIGHT) for the Mystique gas log fire is larger than the plaster cutout because the Mystique base panel is 20mm lower than the fascia coverage at the bottom. The Mystique must be installed before plaster is fitted.

Cutout size 1390mm wide and 805mm high

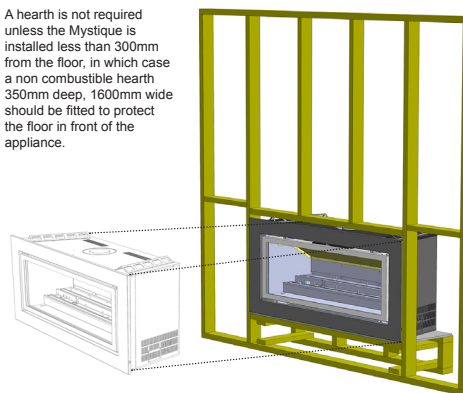


The plaster cutout dimensions are shown at right.

Cutout size 1390mm wide and 785mm high

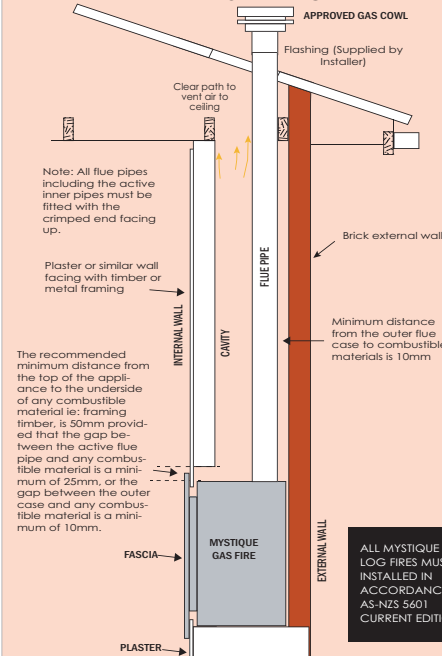


A hearth is not required unless the Mystique is installed less than 300mm from the floor, in which case a non combustible hearth 350mm deep, 1600mm wide should be fitted to protect the floor in front of the appliance.

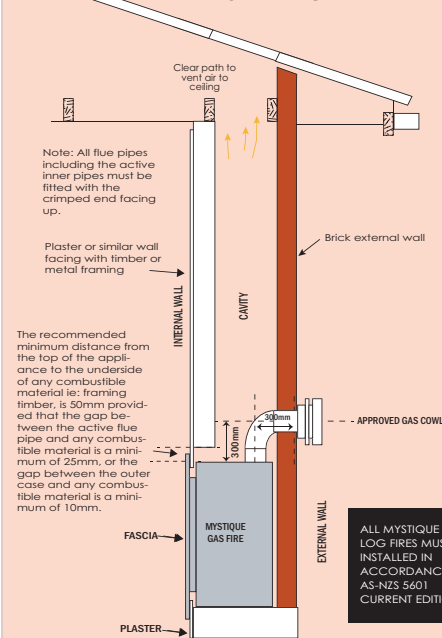


INSTALLATION

TYPICAL MYSTIQUE VERTICAL FLUE INSTALLATION



TYPICAL MYSTIQUE HORIZONTAL FLUE INSTALLATION



www.illusionfires.com.au

The dimensions, etc quoted here are correct at the time of writing but may be subject to change. Please check with your dealer before commencing any building works or installations of these appliances.

A slight reduction in performance may result if high ceilings, large glass areas or lack of insulation are present. Ultimate reserves the right to alter specifications without notice. Photos are for illustrative purposes only. Some colours may vary due to the printing process.

