

Illusion
Gas Log Fires

The Illusion
Gas Log Fire
with
PYROGLOW®

**Aussie
Made**

Illusion Australia Pty. Ltd.

HEAD OFFICE

145 STH GIPPSLAND HWY

DANDENONG STH.

VICTORIA AUSTRALIA 3175

PH: (613) 9793 7520

Email service@illusionfires.com.au

www.illusionfires.com.au

OWNERS INSTRUCTION & INSTALLATION MANUAL. PLEASE KEEP FOR FUTURE REFERENCE

ESPRIT MODELS 63-70



PYROGLOW® Gas Logs: ADVANTAGES- Realistic surface textures & colours. Radiant natural glow of an actual fire when burning. Natural looking logs when idle. Superior strength versus ceramic fibre. Inert refractory formulation is ceramic fibre free. Pyroglow® logs create virtually no fume emission. Thermal shock resistant. Contains no asbestos.

THESE APPLIANCES HAVE BEEN TESTED IN ACCORDANCE WITH AG 103 FOR INSTALLATION AND OPERATION AS DESCRIBED IN THIS MANUAL AND HAVE BEEN CERTIFIED BY THE AUSTRALIAN GAS ASSOCIATION.

WARNING:

All Illusion Gas Log Appliances MUST be installed and serviced by an authorised installer or technician. Unauthorised installation, service or maintenance may cause a hazardous situation.

Value & Quality In Gas Log Fires

Your new Illusion Esprit Gas Log Fire represents the pinnacle of many years' research and development.

The combination of innovative features designed for Australian conditions and a genuine Log Fire appearance ensures this appliance is *the BEST VALUE in Gas Log Fires*.

The Illusion Esprit Gas Log Fire provides you with continuous warmth, and the traditional charm of a wood fired heater, without the hard work generally associated with a wood fuelled appliance.

Safe and economical, you can rest easy knowing the Illusion Esprit Gas Log Fire has been fully tested and approved to **AUSTRALIAN STANDARD AG 103**.

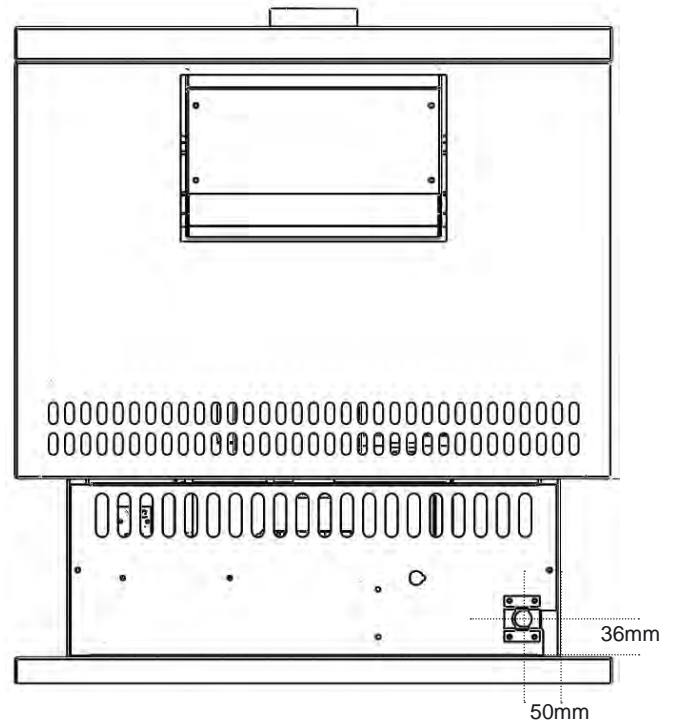
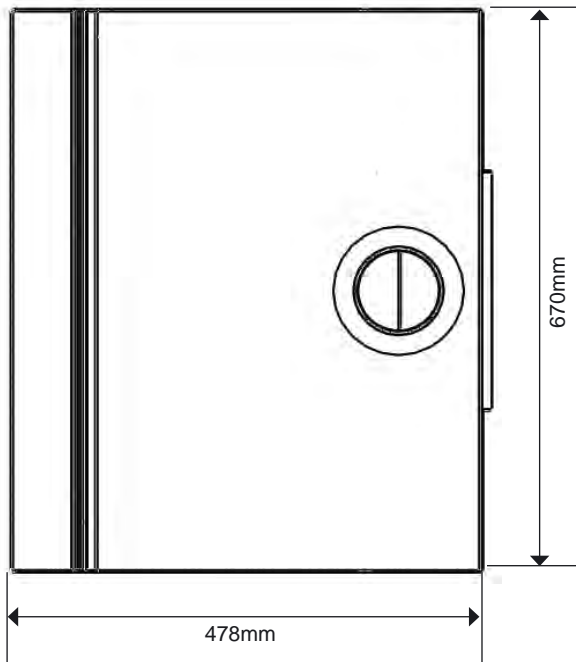
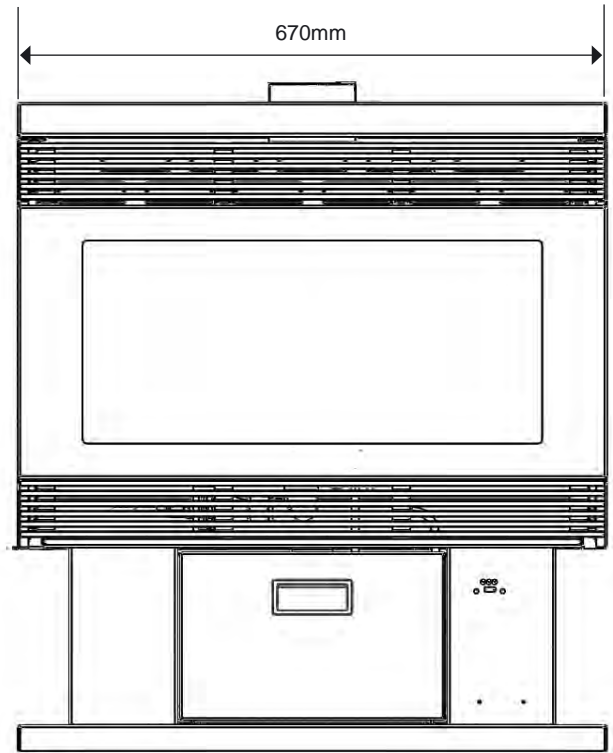
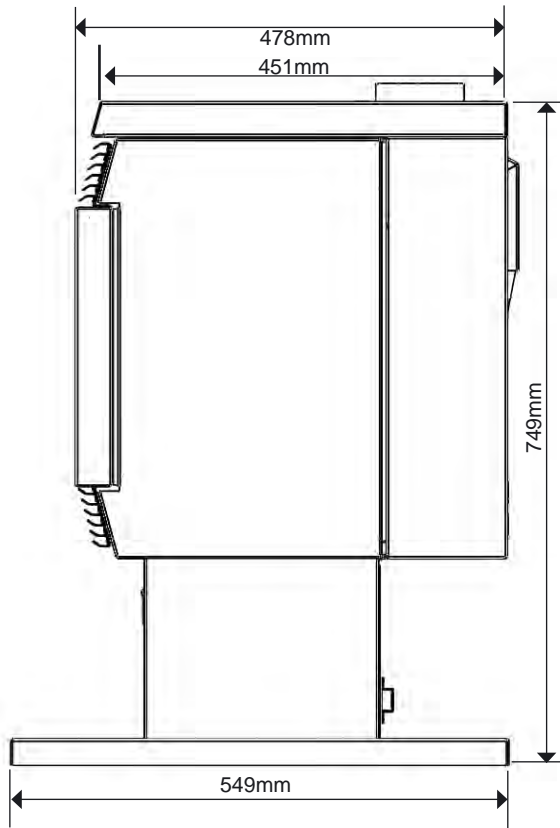
NOTE: Esprit GAS LOG FIRES - MODELS UGL63 & UGL70 ARE DESIGNED AND TESTED TO BE INSTALLED WITH THE SUPPLIED FLUE KIT ONLY. THESE UNITS MUST ONLY BE INSTALLED BY AN AUTHORISED INSTALLER.

TABLE OF CONTENTS

PAGE	DESCRIPTION
1.	EGL63 DIMENSIONS
2.	EGL70 DIMENSIONS
3.	MAIN GAS CONNECTION & LABELLING
4.	LIGHTING INSTRUCTIONS
5.	INSTALLATION FOREWORD & SAFETY INFORMATION
6.	INSTALLATION INSTRUCTIONS
7.	INSTALLATION CLEARANCES
8.	INSTALLATION EXAMPLES
9.	FITTING THE LOGS & COAL EGL63
10.	FITTING THE LOGS & COALS EGL63 (CONTINUED)
11.	FITTING THE LOGS & COALS EGL70/
12.	FITTING THE LOGS & COALS EGL70/ (CONTINUED)
13.	PRESSURE TESTING
14.	INSTALLATION FLUE SPILLAGE TEST
15.	MAINTENANCE
16.	DOOR REMOVAL INSTRUCTIONS
17.	PARTS ASSEMBLY EXPLODED VIEW
18.	THERMOSTATICALLY CONTROLLED FAN
19.	REMOTE CONTROL HANDSET OPERATION
20.	ABNORMAL OPERATION
21.	TROUBLESHOOTING
22.	CONTACT DETAILS

Value & Quality In Gas Log Fires

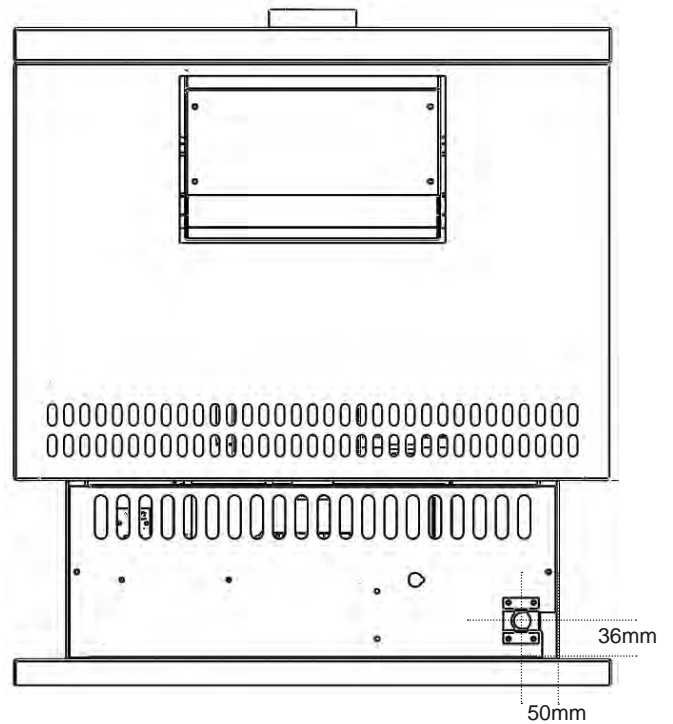
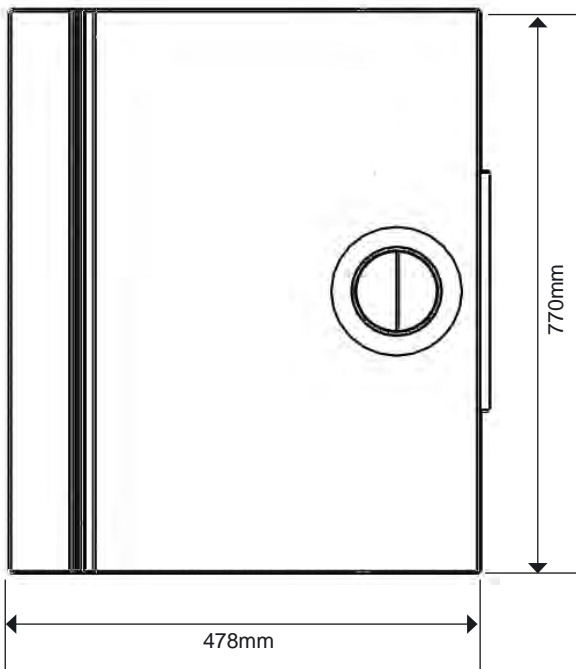
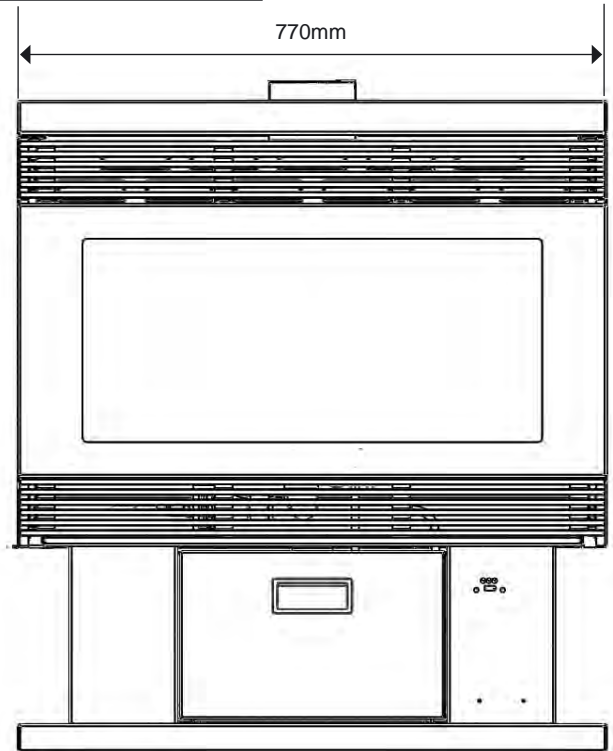
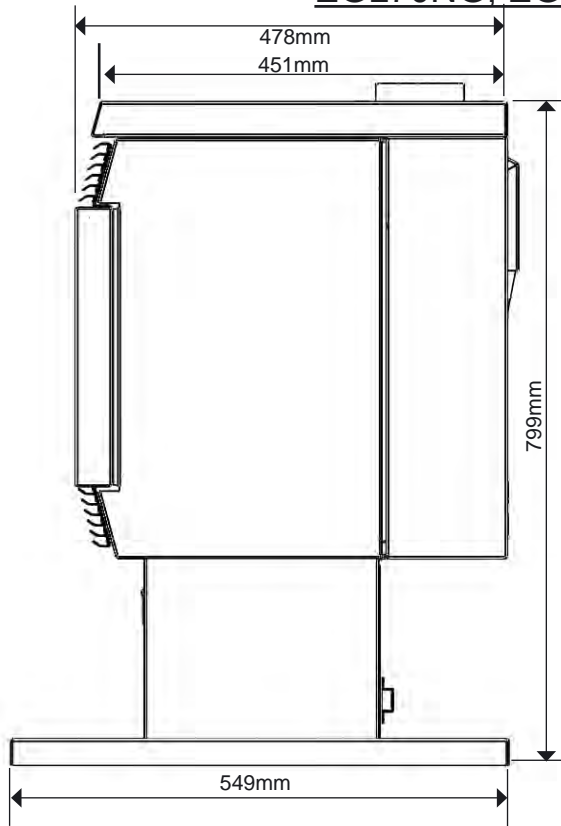
EGL63NG, EGL63LP DIMENSIONS



GAS INLET RHS REAR

Value & Quality In Gas Log Fires

EGL70NG, EGL70LP DIMENSIONS



GAS INLET RHS REAR

Value & Quality In Gas Log Fires

Main Gas Connection

The connection is made using gas pipes with Rp1/2 ISO 7 threading. Torque: 25Nm
If, alternatively, flanges are used, first screw the pipes on to the flanges and then the flanges to the valve. Recommended torque for the flange fixing screws: 3Nm.

Connection to the pilot burner

Pipes with Ø 4mm, Ø 6mm or Ø 1/4 can be used. Use a nut and olive of appropriate dimensions. Tighten the nut to 7 Nm torque.

Electrical Connections


Use the special connectors for connection to the thermopile and to the thermostat.

Make the connections in accordance with the plan below and in accordance with the rules for the appliance. The electrical safety cut off devices (for example, the flame failure device, limit thermostat and the like) must cut off the power supply to the thermoelectric circuit of the gas valve.

Caution: After making the connections, check gas tightness.

LABELLING

Illusion GAS LOG FIRES - MODELS **EGL63NG, EGL70NG, EGL63LP AND EGL70LP**

Model	EGL63NG	EGL70NG	EGL63LP	EGL70LP	 <p>Manufactured by Illusion Australia Pty. Ltd. 145 Sth. Gippsland Hwy. Dandenong Sth. 3175 Victoria Australia</p>
Gas Type	NAT	NAT	LP	LP	
Gas Consumption (Mj/h)	33	40	28	37	
Manifold Pressure (kPa)	.83	.73	1.25	2.25	
Injector Size (mm)	3.0	3.8	1.8	1.8	
Max Output (kW/h)	7.19	8.6	5.74	7.58	
Average Efficiency (%)	76.1	77.9	72	72	
AGA APPROVAL NUMBER- 6286					
Electrical components conform to AS 3100 240V 50hz 60 watts					



DO NOT

OPERATE THIS APPLIANCE BEFORE READING THE INSTRUCTION BOOKLET

DO NOT

PLACE ARTICLES ON OR AGAINST THIS APPLIANCE

DO NOT

STORE CHEMICALS OR FLAMMABLE MATERIALS OR SPRAY AEROSOLS NEAR THIS APPLIANCE

DO NOT

OPERATE WITH PANELS, COVERS OR GUARDS REMOVED FROM THIS APPLIANCE

THE GUARD IS FITTED TO THIS APPLIANCE TO REDUCE THE RISK OF FIRE OR INJURY FROM BURNS AND NO PART OF IT SHOULD BE PERMANENTLY REMOVED. FOR THE PROTECTION OF YOUNG CHILDREN OR THE INFIRM, A SECONDARY GUARD IS REQUIRED.

PLEASE NOTE AS PER AGA 103 A PRIMARY SAFETY GUARD IS SUPPLIED AND MUST BE FITTED WHEN THE HEATER IS OPERATING.

LIGHTING INSTRUCTIONS

CAUTION: HOT WHILE OPERATING.

DO NOT TOUCH. KEEP CLOTHING, CHILDREN AND FURNITURE AWAY.

KEEP BURNER AND CONTROL COMPARTMENT CLEAN AND FREE FROM LINT, DUST ETC.

IMPORTANT: THE UNIT IS PAINTED WITH THE HIGHEST QUALITY HEAT RESISTANT PAINT. THE PAINT WILL CURE DURING THE FIRST FIRING PRODUCING A LIGHT SMOKE. KEEP WINDOWS AND DOORS OPEN UNTIL THE SMOKE IS NO LONGER APPARENT. THIS CURING PROCESS SHOULD ONLY OCCUR DURING THE FIRST FIRING, PROVIDED THE UNIT IS RUN FOR AT LEAST AN HOUR.

ONLY AN AUTHORISED INSTALLER MAY INSTALL THIS APPLIANCE.

INSTALLATION MUST BE PERFORMED IN ACCORDANCE WITH AG 601

NEVER ATTEMPT TO LIGHT THE APPLIANCE IF YOU CAN SMELL GAS. IF IN DOUBT, CONTACT YOUR GAS SUPPLIER, APPLIANCE INSTALLER AND OR Illusion SERVICE DEPARTMENT FROM A NEIGHBOURS HOME. IF YOU CAN SMELL GAS, DO NOT USE MOBILE PHONES OR ANY ELECTRICAL APPLIANCE, OR ELECTRIC SWITCH IN THE BUILDING.

PILOT FLAME IGNITION

Depress and turn the control knob to the "PILOT" position.

Depress the button and ignite the pilot flame (by pressing the red igniter button) while keeping the knob fully depressed for a few seconds. (Fig. 1).

Release the knob slowly and check that the pilot flame stays lit. If it goes out, repeat the ignition operation.

FIGURE 1.



MAIN BURNER IGNITION

Depress and turn the control knob to the "ON" position. (Fig. 2)

When the automatic solenoid valve is energized, gas passage to the main burner is opened.

FIGURE 2.



PILOT POSITION

To keep the main burner closed and the pilot flame lit, depress and turn the control knob to the "PILOT" position.

FIGURE 3.



TURNING OFF.

Depress and turning the control knob to the "OFF" position Fig. 3)

CAUTION:

The restart interlock device prevents ignition of the appliance until the flame failure has stopped gas flow. At the end of this period it is possible to carry out the re-ignition operation.

Value & Quality In Gas Log Fires

IMPORTANT INSTALLATION

The installation of any Illusion Gas Log Appliance **must** be performed by an Authorised Installer in accordance with these instructions and **must** comply with AG 601. Please read these instructions carefully before proceeding.

PRIOR TO INSTALLATION

It is highly recommended that the installation of any Illusion Gas Log appliance is planned on paper before installation begins. This will ensure correct performance of the unit and eliminate potential problems. Your Illusion sales representative can advise on the best position to maximize the performance of the appliance.

In most cases, an **Authorised Illusion Installer** can be arranged to install the unit, however if this is not possible, a suitably **qualified gas fitter** must be used. These appliances are **not** designed to be installed by the homeowner.

INSTALLERS CHECKLIST

CHECK CLEARANCES TO COMBUSTIBLES
INSTALL HEATER AND FLUE SYSTEM
CONNECT GAS
TEST GAS PRESSURE
FIT GAS LOG KIT
FIT OPTIONAL WALL THERMOSTAT
SAFETY CHECK



SAFETY INFORMATION

1. These appliances must be installed in accordance with the regulations, municipal building codes and AG601 (AGA Gas installation code.)
2. Only an Authorised person should install the appliance.
3. This appliance should be inspected prior to installation and the dealer contacted if any problems arise.
4. This appliance must be installed with an approved flue system, which terminates outside the building. A flue system must never terminate within the roof cavity.
5. The unit should be checked periodically for lint. The fan area especially is prone to lint build up during normal operation. Keep the area around the appliance clean and free from lint.
6. Only persons familiar with the operation of the unit should use the heater.
7. Do not modify or adjust the heater. Always contact your Illusion dealer if any problems arise.
8. Annual service by an Authorised service person will ensure trouble free operation for many years.
9. This Gas heater is not designed to burn solid fuels. **NEVER** use paper, wood or any other fuel in this appliance.
10. Keep the immediate area around the heater free from any combustible materials: i.e.: aerosols, or other flammables.
11. If you smell gas whilst the unit is operating, immediately shut down the unit and turn the gas off at the supply shut off valve, or the main meter. Contact Ulimate or your local gasfitter.

DO NOT ATTEMPT ANY REPAIRS ON THE HEATER YOURSELF. ONLY AN AUTHORISED GASFITTER MAY REPAIR OR ADJUST THE HEATER ACCORDING TO THE MANUFACTURERS INSTRUCTIONS.

PAINT CURING

THE EXTERIOR SURFACES OF YOUR ILLUSION GAS APPLIANCE HAVE BEEN FINISHED WITH THE HIGHEST QUALITY HEAT RESISTANT PAINT. PLEASE NOTE THAT THE INITIAL FIRING OF THE UNIT MAY PRODUCE SOME SMOKE AND ODOUR AS THE PAINT CURES. **TO ENABLE CURING, THE UNIT MUST BE RUN ON HIGH WITHOUT THE FAN ON FOR APPROX. 3 - 4 HOURS. IT IS ADVISABLE TO KEEP WINDOWS AND DOORS OPEN DURING THIS PERIOD IF POSSIBLE.**

Value & Quality In Gas Log Fires

INSTALLATION INSTRUCTIONS

NOTE THAT THIS GAS APPLIANCE MAY ONLY BE INSTALLED BY AN AUTHORISED GAS FITTER. CONTACT YOUR DEALER TO ARRANGE INSTALLATION.

INSTALLATION PROCEDURE

INSTALLERS CHECKLIST

1. **IMPORTANT:** BEFORE COMMENCING THE INSTALLATION, ESTABLISH THE OPTIMAL POSITION FOR THE APPLIANCE WITH REGARD TO:
CLEARANCE FROM COMBUSTIBLE MATERIALS, POSSIBLE OBSTRUCTIONS WITHIN THE ROOF CAVITY, ACCESSIBILITY FOR FUTURE SERVICING, MAXIMUM HEATING POTENTIAL.

2. APPLIANCE & COMPONENT INSPECTION

Remove the HEATER CARTON and other packaging. Inspect the appliance thoroughly to ensure it has not been damaged in transit. Set aside the carton containing the log kit. ***(Note that Model EGL63 requires Log kit part number LS1, and Model EGL70 requires Log kit part number LS2.)*** Check to see that the correct log kit is supplied.

Open the FLUE KIT carton and check to see all components are supplied including the flue lengths, outer casing, mounting brackets & gas cowl.

FLASHING IS NOT INCLUDED AND MUST BE SUPPLIED BY THE INSTALLER.

3. POSITION THE HEATER.

Place the heater in the required position as determined in section 1 (above).

Determine whether the gas supply will be accessed through the rear wall or through the floor.

Mark the gas pipe entry point on the wall or floor, (see figure 1) and cut the hole(s).

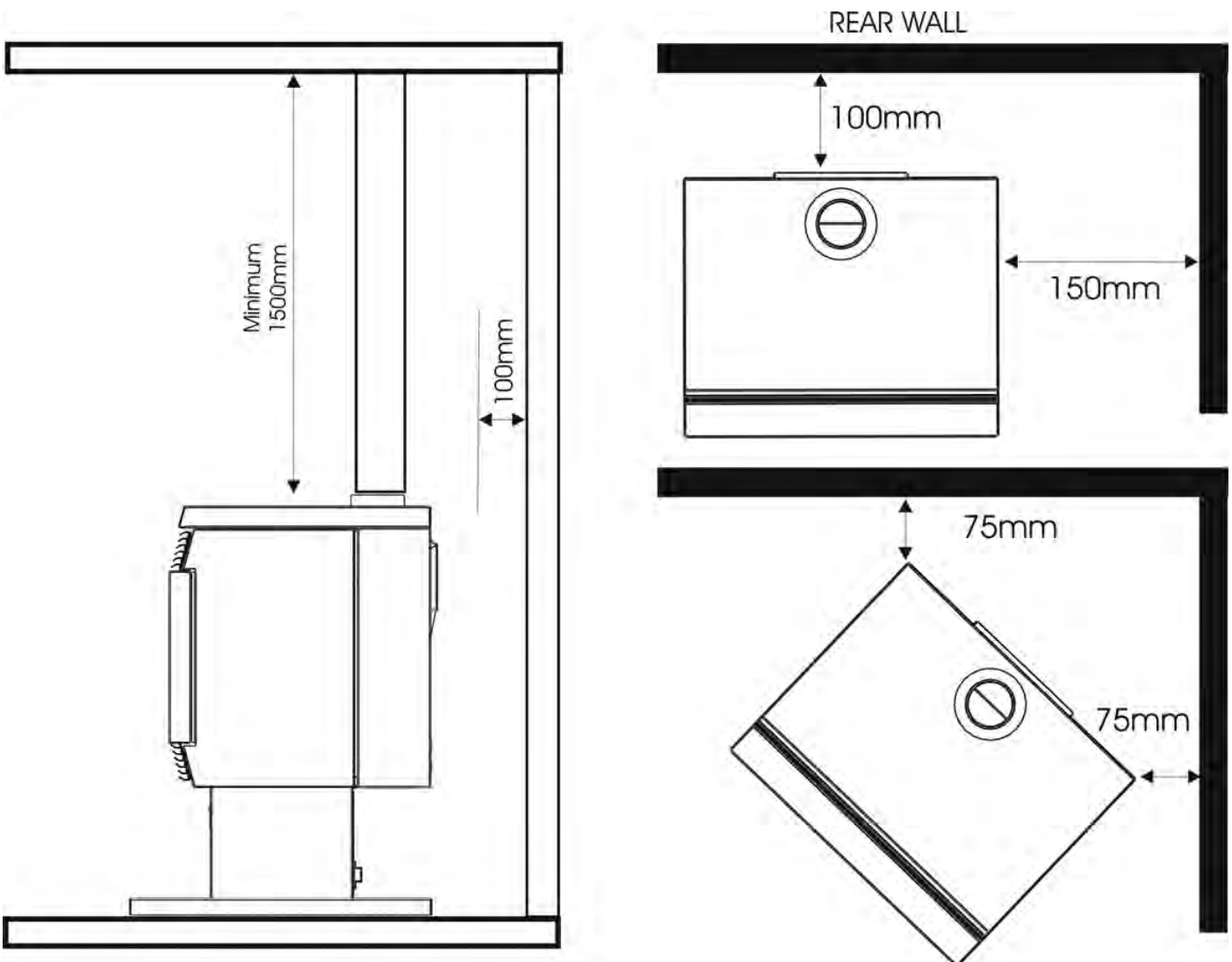
NOTE: It is highly recommended that a gas supply shutoff valve be fitted to the gas inlet pipe outside the building in an easily accessed position to enable the gas to be shut off in an emergency. This also makes it possible to keep the gas supply connected to the rest of the home whilst fitting the pipe to the back of the heater prior to connecting gas to the appliance.

Value & Quality In Gas Log Fires

INSTALLATION CLEARANCES

IMPORTANT: All distances shown are **MINIMUM**. Illusion Gas Log appliances **EGL63NG**, **EGL63LP**, **EGL70NG** and **EGL70LP** must only be installed with the minimum distances shown below.

Note that these appliances have a **DRAFT DIVERTER** at the rear of the unit, which exits at the rear and must not be altered, obstructed or blocked in any way. Modifications or obstructions to the draft diverter or exit may cause a hazardous situation.



NOTE: MINIMUM DISTANCE FROM TOP OF HEATER TO CEILING IS 1500mm

Value & Quality In Gas Log Fires

INSTALLATION EXAMPLES

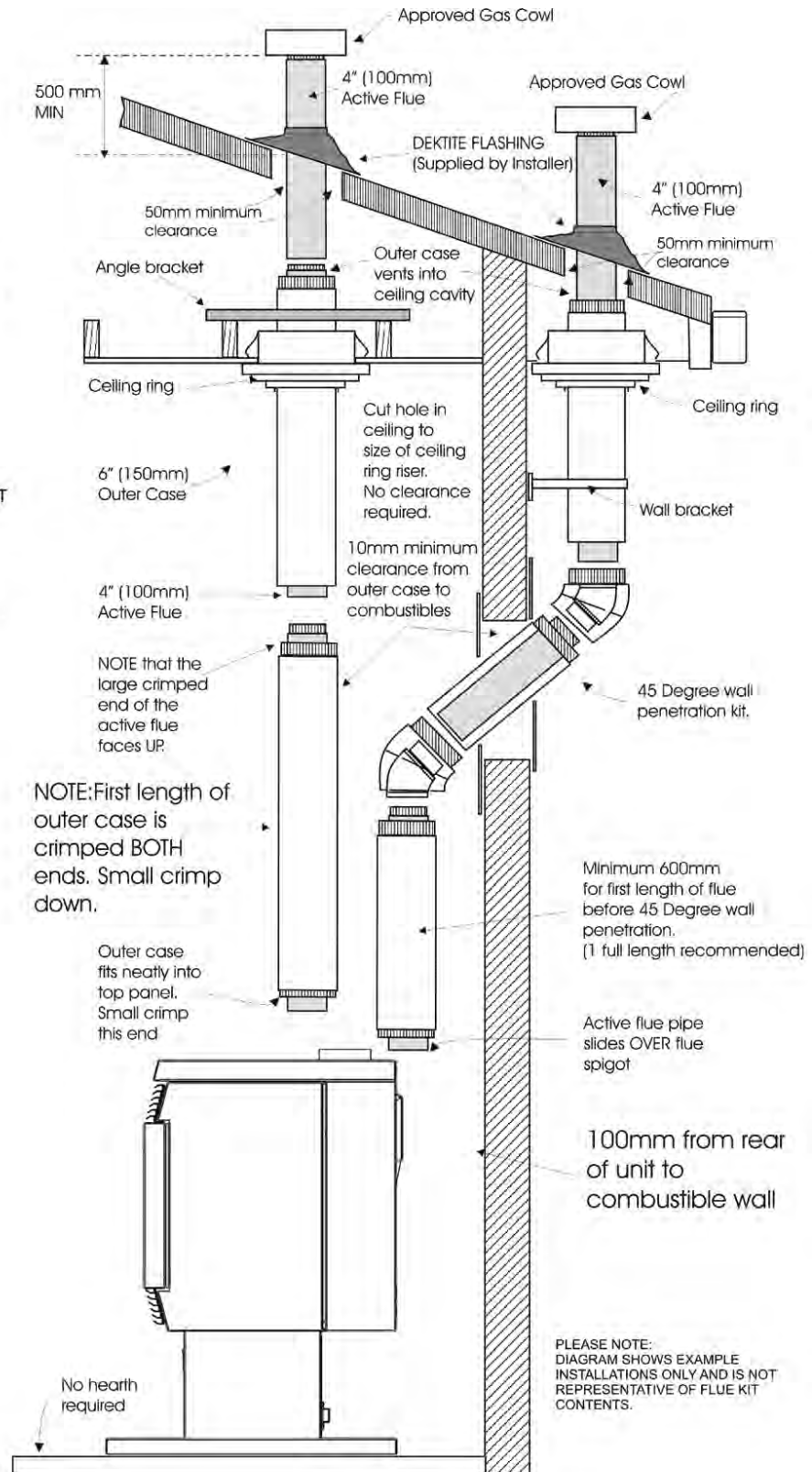
GAS FLUE COMPONENTS (STANDARD KIT)

- 4 X GALVANISED ACTIVE FLUE PIPES.
- 2 X PAINTED OUTER CASINGS
- 1 X PAINTED OUTER CASING WITH BOTH ENDS CRIMPED
- 1 X GAS COWL
- 2 X FIXING ANGLES
- 1 X CEILING RING

PLEASE NOTE:

FLUE KIT MANUFACTURER DOES NOT ACCEPT RESPONSIBILITY FOR INCORRECT INSTALLATION OF FLUE COMPONENTS. REFER TO DIAGRAM FOR DETAIL OF INSTALLATION

FOR CONTINUING GOOD SERVICE, REGULARLY INSPECT FLUE SYSTEM FOR DAMAGE, PARTICULARLY AROUND FLASHING.



NOTE: First length of outer case is crimped BOTH ends. Small crimp down.

Outer case fits neatly into top panel. Small crimp this end

NOTE that the large crimped end of the active flue faces UP.

PLEASE NOTE: DIAGRAM SHOWS EXAMPLE INSTALLATIONS ONLY AND IS NOT REPRESENTATIVE OF FLUE KIT CONTENTS.

PLEASE NOTE:
ALL ILLUSION GAS HEATERS MUST BE INSTALLED BY A QUALIFIED GASFITTER IN ACCORDANCE WITH AUSTRALIAN STANDARDS AS 5601 - 2002 AG 601 - 2002

Value & Quality In Gas Log Fires

FITTING THE LOG SET - MODELS EGL63NG, EGL63LP, EGL62NG, EGL62LP

FITTING THE LOGS & COALS

NOTE THAT THE COALS MUST BE PLACED ONTO THE MESH SUPPORT DURING INSTALLATION OF THE LOGS AND ARRANGED SO THAT BURNER HOLES ARE NOT BLOCKED.

DO NOT obstruct any of the burner holes with coals as sooting may occur.

CAUTION: LOGS ARE FRAGILE. PLEASE TAKE CARE WHEN INSTALLING
DO NOT USE EXCESSIVE FORCE OR BREAKAGE MAY RESULT

TIP: Occasionally the mounting holes in the logs can be blocked or malformed during manufacture. If necessary, drill out log holes with a 6mm drill bit.

Carton contains SIX logs plus ONE bag of FIVE ceramic pins. Log numbers are embedded into the underside of each log.

1. Install log number 1. Hold log at 45° angle with forked end facing right. Insert left end in rear pin in the burner plate, and then right end in the pin in the rear wall. Log should not contact rear wall or burner plate when fully inserted.
2. Place log number 2 over right and second from right pins in the burner plate. The end of log number 2 with a hole in its top should be towards the front of the heater. This log should not touch the burner plate when fully inserted.
3. Insert ceramic pins in the two holes in the under side of log number 3. Place in right hole on log number 1 and hole in log number 2. Log number 3 should contact both logs 1 & 2 when fully inserted.
4. Place ceramic pin in the middle hole of log number 1. Place log number 4 over middle pin in rear log and right pin in the burner plate. Note the positions of the bumps in log No. 4. The narrow end of log number 4 is towards the rear of the heater.
5. Place log number 5 at a 45° angle over the remaining pins in the burner plate. The chop mark in the log is towards the front of the heater.
6. Insert remaining pins in the rear of log number 6. Install log number 6, inserting pins in the holes in log number 1 and log number 5.

Value & Quality In Gas Log Fires

FITTING THE LOG SET - MODELS EGL63NG, EGL63LP, EGL62NG, EGL62LP

INSTALLATION SEQUENCE = 1-2-3-4-5-6

LOGS ARE NUMBERED ON THE
UNDERSIDE



ADD COALS AS THE
LOGS ARE FITTED



Value & Quality In Gas Log Fires

FITTING THE LOG SET - MODELS UGL70NG, UGL70LP, UGL69NG, UGL69LP

FITTING THE LOGS & COALS

NOTE THAT THE COALS MUST BE PLACED ONTO THE MESH SUPPORT DURING INSTALLATION OF THE LOGS AND ARRANGED SO THAT BURNER HOLES ARE NOT BLOCKED.

DO NOT obstruct any of the burner holes with coals as sooting may occur.

CAUTION: LOGS ARE FRAGILE. PLEASE TAKE CARE WHEN INSTALLING
DO NOT USE EXCESSIVE FORCE OR BREAKAGE MAY RESULT

TIP: *Occasionally the mounting holes in the logs can be blocked or malformed during manufacture. If necessary, drill out log holes with a 6mm drill bit.*

Carton contains SEVEN logs plus ONE bag of SIX ceramic pins and ONE metal spacer.
Log letters are embedded into the under-side of each log.

1. Install log "A" Hold at a 45° angle with forked end facing right. Insert left end into rear pin in burner plate and then the right end into the pin in the rear wall. Log should not contact rear wall, but the right fork in the log will touch a spacer on the burner plate when fully assembled.
2. Place log "E" over middle row pin, second from left and front row left pin in the burner plate. The end of log "E" with a hole in its top, should be towards the rear of the heater. This log should not touch the burner plate when fully inserted.
3. Insert ceramic pin into the hole in the rear of log "F" closest to the square cut end of that log. Insert the ceramic pinned end of log "F" into the left most hole of log "A" and the other hole in "F" over the left pin in the burner plate. Log "F" should contact the top of log "A" when fully inserted.
4. Insert log "B" over the two right pins in the burner plate. The rounded end of log "B" should be towards the rear of the heater. When fully inserted, the height of the rear end of log "B" should be approximately level with the top of log "A".
5. Insert a ceramic pin and the metal spacer into the second from right hole in log "A". The pointed end of the spacer should face up. Insert log "D" over the pin/spacer in log "A" and the remaining pin in the burner plate. The end with the bumps should face towards the front of the heater. When fully inserted, log "D" should fully contact log "A", but not touch the burner plate.
6. Insert two ceramic pins into the rear of log "G". Insert log "G" into the hole in log "E" and the left hole in log "A". The end of log "G" with the cut in the bark should be towards the rear of the heater.
7. Insert the last two ceramic pins into the rear of log "C". Install log "C" into the remaining holes in log "A" and log "B". Log "C" should fully contact logs "A" and "B" when fully inserted.

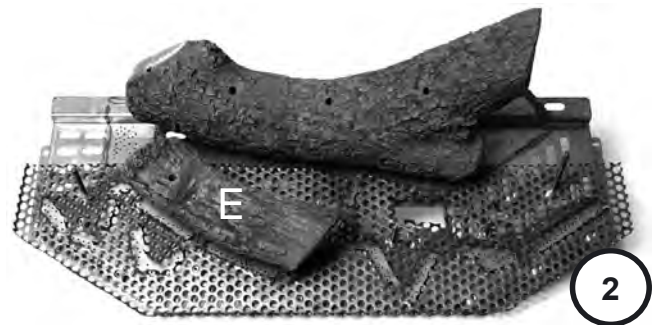
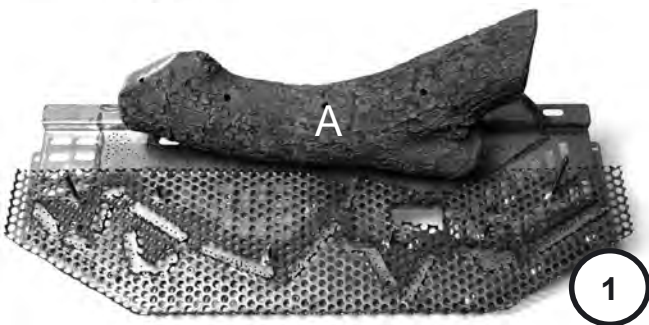
Value & Quality In Gas Log Fires

FITTING THE LOG SET - MODELS EGL70NG, EGL70LP, EGL69NG, EGL69LP

INSTALLATION SEQUENCE = A-E-F-B-D-G-C

ADD COALS AS THE LOGS ARE FITTED

LOGS ARE NUMBERED ON THE UNDERSIDE



Value & Quality In Gas Log Fires

PRESSURE TESTING

IMPORTANT: IF THE APPLIANCE CANNOT BE ADJUSTED TO OPERATE CORRECTLY, CONTACT YOUR SUPPLIER AND DO NOT OPERATE THE APPLIANCE UNTIL THE PROBLEM IS RECTIFIED.

PRESSURE TESTING:

ENSURE THE HEATER IS ISOLATED FROM THE GAS SUPPLY BY CLOSING THE MANUAL SHUTOFF VALVE DURING ANY PRESSURE TESTING.

THE GAS VALVE REGULATOR CONTROLS MANIFOLD PRESSURE AND SHOULD BE CHECKED AT THE PRESSURE TEST POINT. (SEE BELOW)

NOTE: BOTH INLET AND MANIFOLD PRESSURES SHOULD BE CHECKED USING THE VALVE PRESSURE PORTS ON THE GAS VALVE.

PROCEDURE:

TURN VALVE TO "OFF" POSITION.

LOOSEN INLET PRESSURE POINT (5)

ATTACH MANOMETER TO INLET PRESSURE POINT (5)

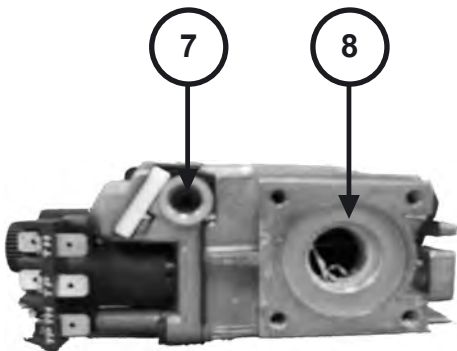
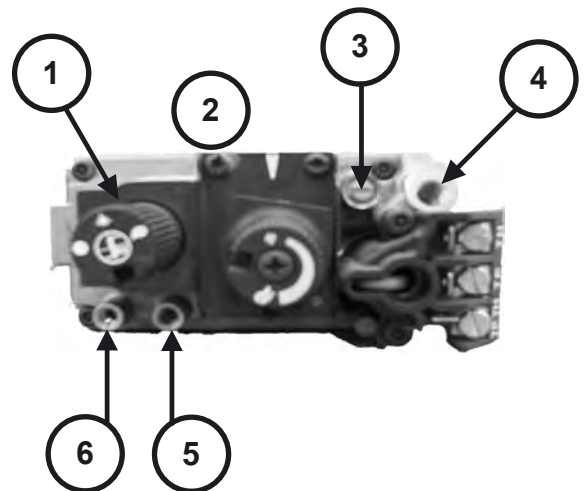
LIGHT THE PILOT (SEE LIGHTING INSTRUCTIONS)

TURN VALVE TO "ON"

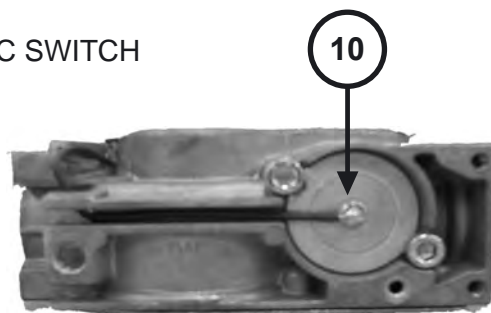
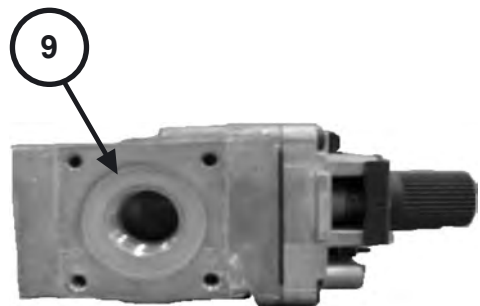
THE PRESSURE SETTING MUST BE WITHIN THE LIMITS SPECIFIED ON THE COMPLIANCE PLATE LOCATED ON THE INSIDE OF THE CONTROL DOOR.

S.I.T GAS VALVE: MODEL 820 NOVA mV

1. GAS COCK KNOB
2. HIGH LOW ADJUSTMENT
3. PILOT BURNER ADJUSTMENT
4. THERMOCOUPLE CONNECTION POINT
5. OUTLET PRESSURE POINT
6. INLET PRESSURE POINT



7. PILOT OUTLET
8. MAIN GAS OUTLET
9. MAIN GAS INLET
10. THERMO ELECTRIC SWITCH



Value & Quality In Gas Log Fires

INSTALLATION FLUE SPILLAGE TEST

IF THE FLUE IS BLOCKED OR NOT PRODUCING SUFFICIENT DRAW, THE HEATER MUST NOT BE USED UNTIL THE PROBLEM IS RECTIFIED.

THE INSTALLER MUST TEST EVERY INSTALLED GAS LOG APPLIANCE FOR FLUE SPILLAGE BEFORE THE UNIT IS LEFT WITH THE CUSTOMER.

ALL EXHAUST FANS AND OTHER GAS APPLIANCES IN THE HOME SHOULD BE RUNNING WHEN THE HEATER IS TESTED FOR FLUE SPILLAGE.

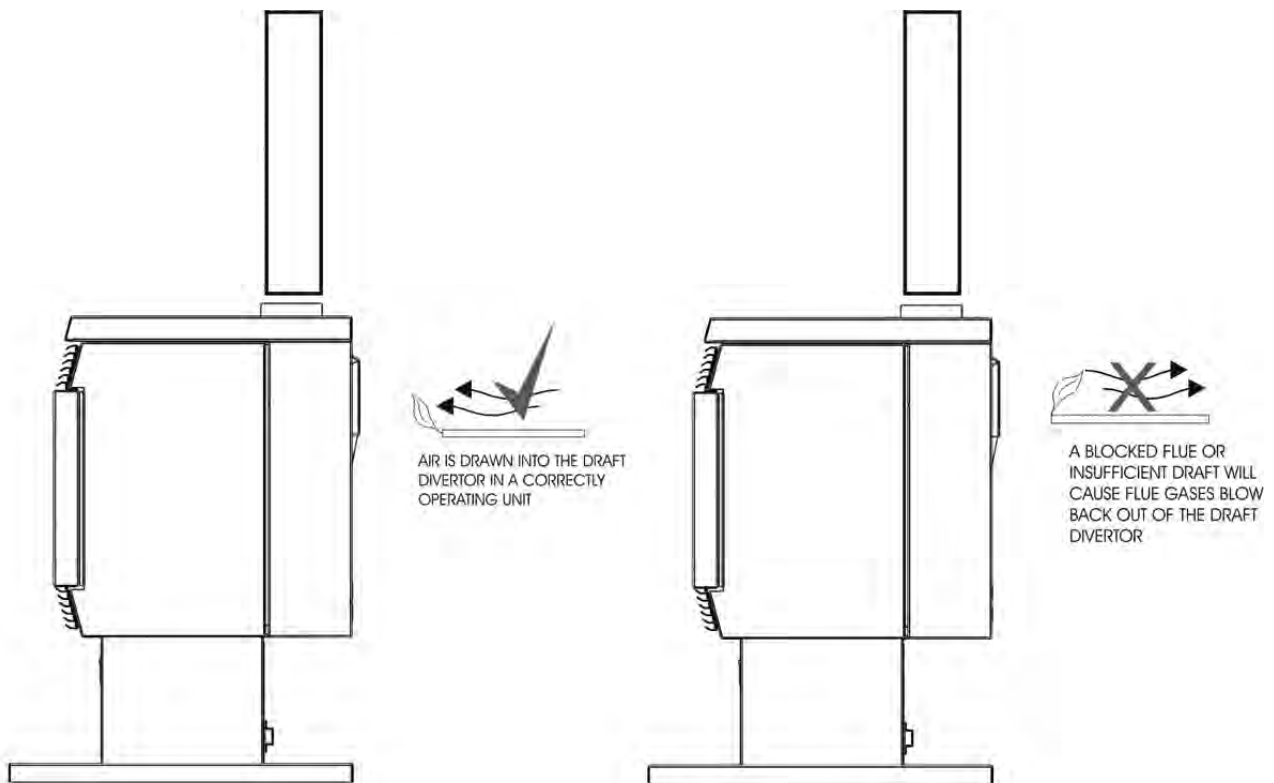
TO TEST FOR SPILLAGE, THE HEATER SHOULD BE LIT AND SET TO HIGH.

WAIT 10 MINUTES, THEN TEST FOR DRAFT AT THE BASE OF THE DRAFT DIVERTER WITH A SMOKE MATCH, CIGARETTE OR SIMILAR.

A CORRECTLY OPERATING UNIT WILL DRAW THE SMOKE FROM THE MATCH INTO THE DRAFT DIVERTER. (SEE BELOW)

IF THE FLUE IS BLOCKED OR NOT PRODUCING SUFFICIENT DRAW, THE HEATER MUST NOT BE USED UNTIL THE PROBLEM IS RECTIFIED.

Fumes or smoke exiting from the draft diverter indicates a blocked flue.



Value & Quality In Gas Log Fires

MAINTENANCE

ANNUAL SERVICE SHOULD BE PERFORMED ONLY BY AN AUTHORISED ILLUSION INSTALLER OR GAS FITTER.

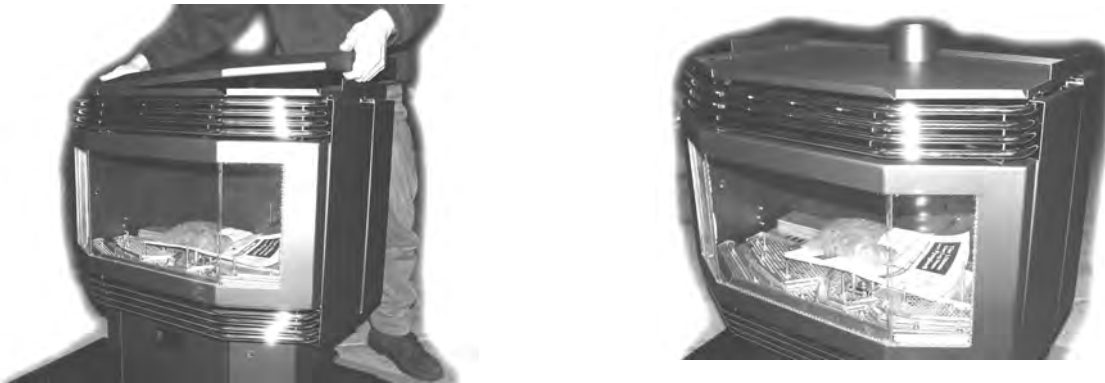
- 1) Clean the burner and control compartment of lint and house dust by brushing and Vacuuming at least once a year. When cleaning the logs, use a soft clean brush as the logs are fragile and easily damaged.
During the annual service the burners should be removed from the burner tray and cleaned.
- 2) When unit is cold, clean glass, louvres, and door with a damp cloth. Do not use abrasive cleaners.
This heater is painted with a heat resistant paint. To retouch, refer to paint supplied by manufacturer.
- 3) Check the flames periodically. The flames should be steady and not lifting off the burner holes. If there is a problem, call an authorized person or your local dealer.
- 4) The appliance and flue system must be inspected by an authorized person before using and at least annually. During this operation burner should be inspected and cleaned if required.
- 5) Keep the area near the appliance clear and free from combustible materials, gasoline aerosols, and other flammable vapours and liquids

Replacing Logs

The unit should never be used with broken logs. Always turn the gas valve off. And allow the unit to cool before opening door. Remove logs carefully. Logs should only be replaced by an Authorised Illusion representative.

Note: Improper positioning of logs may create soot build up and carbon monoxide, which will affect performance. Improper positioning or altering the position of logs will void your warranty.

DOOR REMOVAL PROCEDURE



REMOVE TOP PANEL OF HEATER AS SHOWN ABOVE



SWING BOTH LEFT AND RIGHT HAND SIDE PANELS OPEN. WHILST PRESSING THE DOOR FORWARD, PULL FOUR TOGGLE CLAMP LEVERS TOWARDS THE FRONT OF HEATER AND UNCLIP AS SHOWN



REMOVE THE HEATER DOOR
(HEATER SHOWN IS FOR ILLUSTRATIVE PURPOSES ONLY)

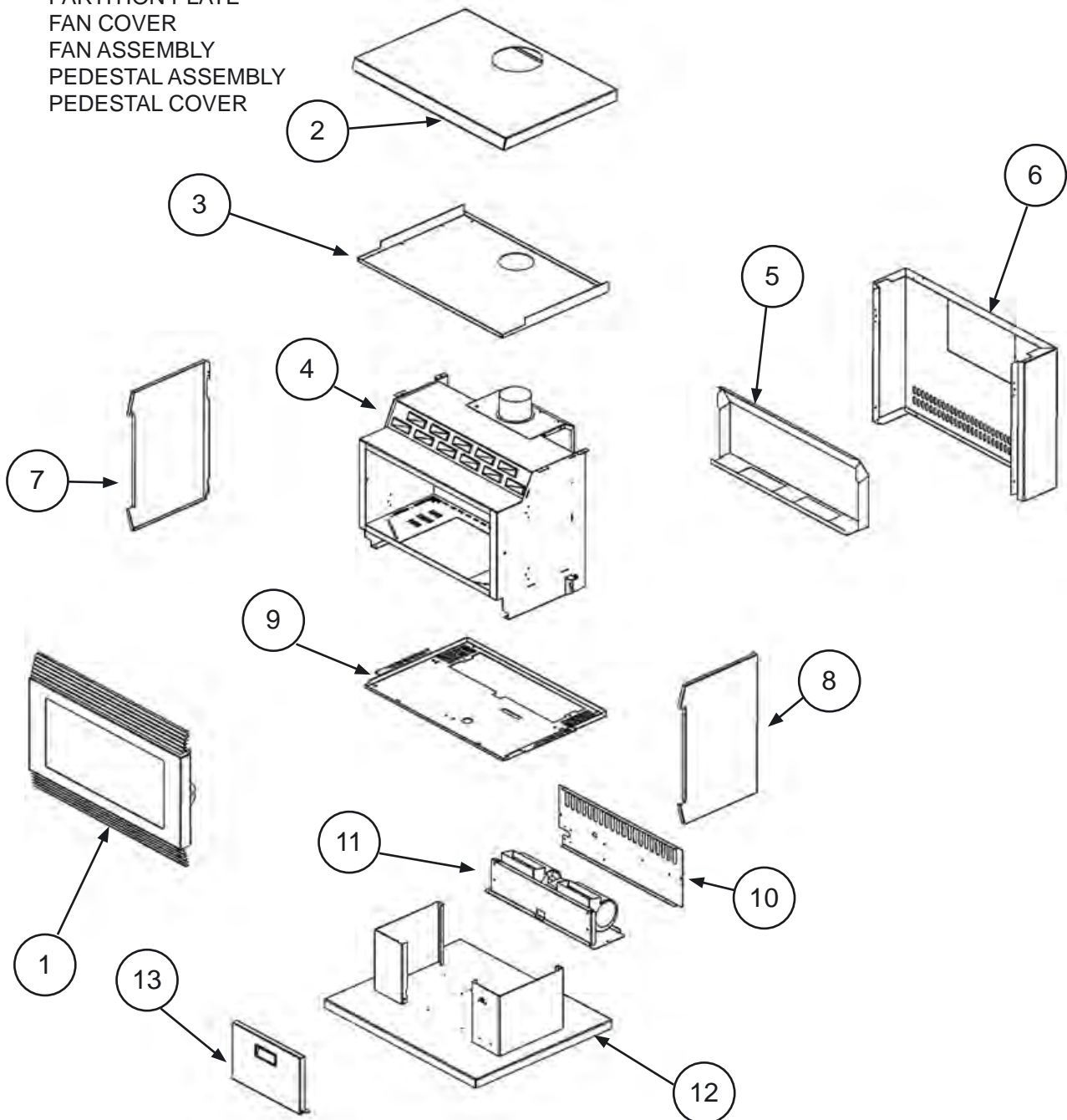
Value & Quality In Gas Log Fires

PARTS ASSEMBLY EXPLODED VIEW

1. DOOR ASSEMBLY
2. TOP PANEL
3. TOP MOUNTING PANEL
4. FIREBOX
5. FAN AIR DUCT
6. BACK PANEL
7. LHS COVER
8. RHS COVER
9. PARTITION PLATE
10. FAN COVER
11. FAN ASSEMBLY
12. PEDESTAL ASSEMBLY
13. PEDESTAL COVER

Spare Parts

Spare parts are available from your supplier. Refer to rear of this manual for contact details.



THERMOSTATICALLY CONTROLLED FAN

Your new Illusion Gas Space Heater is fitted with a THERMOSTATICALLY CONTROLLED fan.

EXPLANATION

What this means is that other than initially setting the fan to the desired position, ie: Low High or Boost, it will no longer be necessary to turn the fan on or off whilst the unit is operating.

STARTUP

The new thermo switch will automatically turn the fan on when the heater has reached a predetermined temperature. This will usually be 10 to 15 minutes after the heater is turned on. It is important to let the customer know that there is nothing wrong with the heater, in fact it is much more convenient and energy saving method of operating the fan.

SHUT DOWN

It will also shut down the fan 10 to 15 minutes after the heater is turned off, once the firebox has cooled sufficiently.

REMOTE CONTROLLER OPTION

The above features apply even if the unit is fitted with a new **OPTIONAL** remote controller. If the remote control is used to turn the appliance on, the fan will only startup if the fan speed is set to LOW, HIGH OR BOOST, in which case the fan will turn on when the unit reaches temperature (10 to 15 minutes). If the remote controller is used to turn the heater off, the fan will shut down when the heater has cooled. (10 to 15 minutes). If the remote control is set to turn off the appliance at a specified time, the fan will continue to operate until the firebox has cooled, again usually 10 to 15 minutes. The fans speeds can still be adjusted manually whilst the unit is operating.

Value & Quality In Gas Log Fires

ILLUSION ESPRIT REMOTE CONTROL UNIT INSTRUCTIONS

OPTIONAL RADIO FREQUENCY PROGRAMMABLE REMOTE CONTROL

Illusions OPTIONAL thermostatically controlled remote controller can be operated from anywhere in the house and does not require line of sight. It is a fully featured programmable unit which can be wall mounted in the supplied cradle. No need for a separate wall thermostat. The remote can be programmed for each day of the week to turn on and off when needed. It also features a countdown timer which will turn the heater off after a set period. CAN BE RETRO FITTED TO EXISTING MILLENIUM, ESPRIT AND OPEN GAS FIRES. **NOT SUITABLE FOR ALLURE.**



MODE BUTTON

PRESS ONCE TO SWITCH ON. PRESS AGAIN TO ACTIVATE THERMOSTAT. PRESS AGAIN TO PROGRAM.

TIMER MODE BUTTON

PRESS THE TIMER TIME BUTTON FOR 2 SECONDS THEN USE THE UP OR DOWN BUTTONS TO ADJUST THE TIME BEFORE THE HEATER WILL SHUT DOWN

SHUTDOWN

PRESS THE MODE BUTTON TO SWITCH THE HEATER OFF.

RE ENERGISING THE REMOTE RECEIVER

Sometimes, if the pilot flame has been off, it may be necessary to "RE-ENERGISE" the valve so that the main flame will start. This is done by lighting the pilot as per LIGHTING INSTRUCTIONS (See Contents) then pressing and holding down the energise button on the remote control receiver box. This should be pressed down for about 60 seconds. Once this is done it should be possible to light the main burner with the remote control.

BATTERIES

THIS REMOTE HAND UNIT USES 2 'AAA' BATTERIES THAT CAN BE CHANGED BY REMOVING THE REAR ACCESS COVER.

Value & Quality In Gas Log Fires

ABNORMAL OPERATION

THE FOLLOWING INDICATES SITUATIONS OF ABNORMAL OPERATION OF THE APPLIANCE.

WHEN THE HEATER IS OPERATING :

1. THE FLAMES APPEAR EXCESSIVELY LARGE AND SOOTING OCCURS ON THE LOGS AND/OR DOOR GLASS.
2. YOU CAN SMELL GAS.
3. THE FLAME PATTERN IS INCONSISTENT AND APPEARS TO BE LIFTING OFF THE BURNER.
4. YOU CAN SMELL THE PRODUCTS OF THE FLUE WITHIN THE ROOM IN WHICH THE APPLIANCE IS INSTALLED. (MAY BE AN INDICATION OF A BLOCKED FLUE)

IF ANY OF THESE SITUATIONS OCCUR, TURN THE APPLIANCE OFF, AND CONTACT YOUR SUPPLIER OR INSTALLER IMMEDIATELY. IF YOU CAN SMELL GAS, TURN THE GAS OFF AT THE MAINS.

Value & Quality In Gas Log Fires

TROUBLESHOOTING

SYMPTOM.

POSSIBLE CAUSE.

- The pilot flame goes out.
- First check that the gas is on, usually with another appliance such as a gas stove.
- The pilot sensor (Thermocouple) may be faulty.
- Contact your Dealer.

SOLUTION.

SYMPTOM.

POSSIBLE CAUSE.

- The main burner flame goes out, but the pilot flame stays on
- If the unit has a remote control, check that the timer countdown function is not active
- The gas valve sensor (Thermopile) may be faulty.
- ***Sometimes, fitting of other new appliances such as Instantaneous hot water systems, (**after the heater has been installed**) can affect the performance of the heater, particularly if the mains piping is undersized. In this case it may be necessary to have the mains piping re-sized. Contact your Dealer if you suspect this may be the case.

SOLUTION

- Turn off the timer function if active. Relight the fire. If symptoms persist contact your Dealer.

SYMPTOM.

POSSIBLE CAUSE.

SOLUTION

- The heater turns off after about 30 minutes
- Check that the timer function is not active
- The gas valve sensor (Thermopile) may be faulty. Contact your Dealer.

SYMPTOM.

POSSIBLE CAUSE.

SOLUTION

- The logs have a build up of black soot in some areas.
- Usually indicates incorrect positioning of logs if the unit has just been installed. If the unit has been installed for some time, the inspirator may require cleaning. Contact your Dealer.
- Re-position the logs as per instructions (See Contents)

SYMPTOM.

POSSIBLE CAUSE.

SOLUTION

- The unit rattles when the fan is on.
- Fan may need cleaning. Fan may be unbalanced.
- If more than 12 months old general maintenance may be required, contact your Dealer

SYMPTOM.

POSSIBLE CAUSE.

SOLUTION

- There is a strong odour and some smoke coming from the unit when on.
- This usually only happens when the unit is lit for the first time.
- Refer to PAINT CURING . (See Contents)

SYMPTOM.

POSSIBLE CAUSE.

SOLUTION

- The unit will not light beyond pilot flame.
 - (A)The pilot, on-off button is not in position.
 - (B)The remote control is not switched to ON
 - (C)The batteries in the remote control are flat.
 - (D)The pilot flame is not reaching the thermopile. Gas pressure may be too low
- SOLUTION**
- (A) Make sure the on off button on the unit is turning to HIGH.
 - (B) Press the ON button on the remote control
 - (C) Replace the batteries in the remote control.
 - (D) (See above***)

Value & Quality In Gas Log Fires

Illusion Gas Log Fires State Dealer Contact List

Head Office

145 Sth. Gippsland Hwy.. Dandenong Victoria Australia 3175
Phone. 61 3 9793 7520



www.Illusionfires.com.au
service@Illusionfires.com.au

Illusion
Gas Log Fires

Value & Quality In Gas Log Fires

Manufactured by Illusion Australia Pty. Ltd
Head Office 145 Sth. Gippsland Hwy. Dandenong Sth. Victoria Australia 3175
Telephone: (03) 9793 7520
Email: service@illusionfires.com.au
WEB: www.illusionfires.com.au

Illusion Australia Pty. Ltd. reserves the right to alter specifications contained in this publication without notice.
Illusion Australia Pty. Ltd. admits no responsibility for printing errors or omissions within this publication.
Copyright Illusion Australia Pty. Ltd. 2014