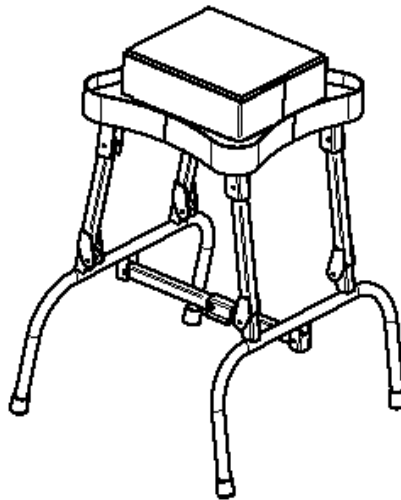




OWNER'S MANUAL



WARNING: Read carefully and understand all **ASSEMBLY AND OPERATION INSTRUCTIONS** before using this product. Failure to follow the safety rules and other basic safety precautions may result in serious property damage and / or personal injury. Recommended for individuals age 16 and over.

READ & SAVE THESE INSTRUCTIONS!

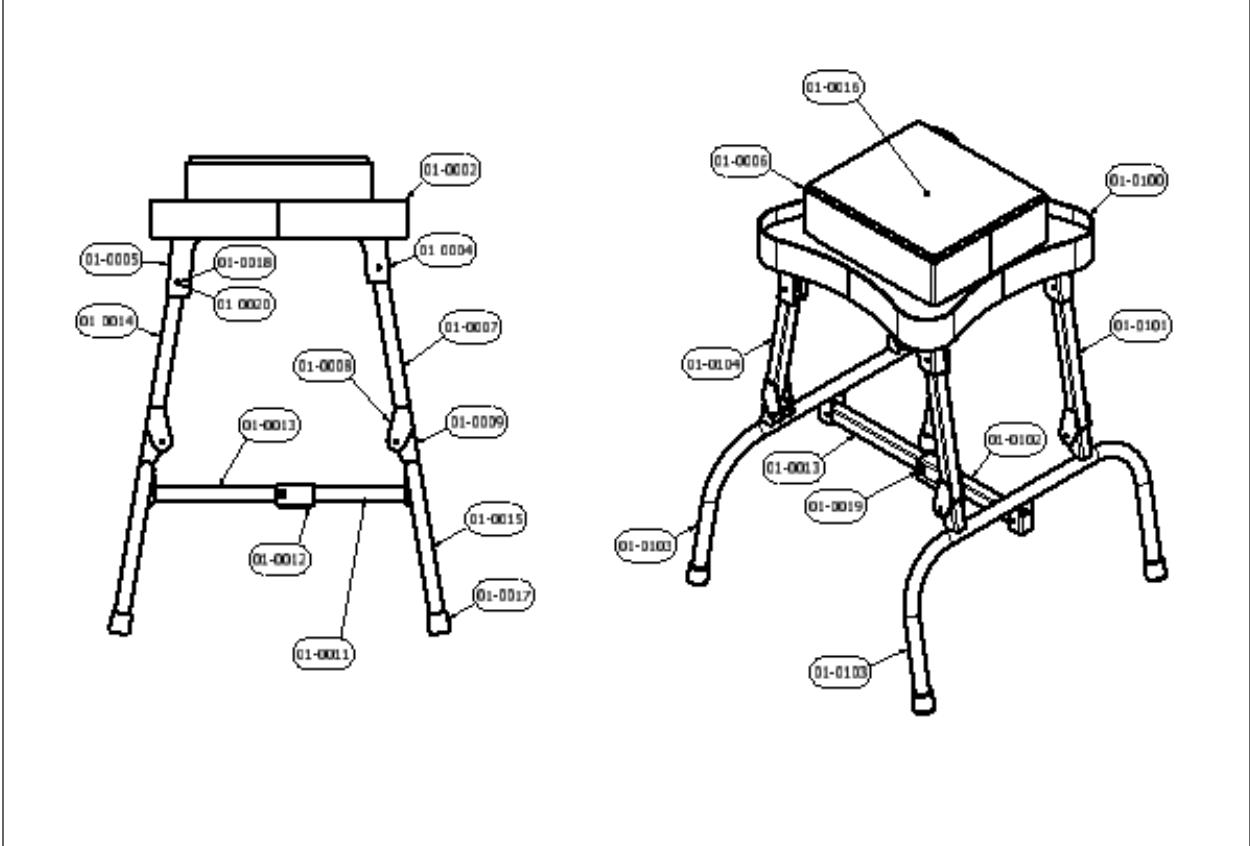
Copyright© 2021 Eichenfeld LLC. All rights reserved. No portion of this manual or any of the artwork contained herein may be reproduced in any form without the expressed written consent of Eichenfeld LLC. Images shown in this manual are representative of the product but may vary slightly due to continuous design improvements. For technical questions or replacement parts, email us at support@knoggle.net or visit our website at www.knoggle.net.



- The warnings, cautions, and instructions in this manual cannot cover all possible conditions or situations that could occur. Exercise common sense and caution when using this product. Always be aware of the environment and ensure that the product is used in a safe and responsible manner.
- Do not allow persons to use this product until they have read this manual and have developed a thorough understanding of how it works.
- **Improper use.** This base assembly and accessories included are for the playing of Knöggle only. The base assembly is NOT intended to be used as a workbench, sawhorse, step stool, work support, table, chair or for any other use other than what is described in these instructions. The nail striker included is specifically designed for Knöggle only. It is NOT a tool and should not be used for performing work. Do not use it for anything other than as described within this manual.
- **Use authentic Knöggle accessories.** When using this product, do not attempt to use anything other than authentic Knöggle parts and accessories. There are certain accessories for which this product was designed. It will perform better and more safely at the rate for which it was intended. Do not modify this product and do not use it for a purpose for which it was not intended.

PROPERTY	SPECIFICATION
Materials	Carbon Steel, Engineered Wood
Unit Weight	42.5 lb
Folded Size	22" x 17.50" x 10.50"
Open Size	32" x 23.50" x 23.50"

PARTS LISTS



PARTS LISTS

PARTS LIST		
STOCK NUM	QTY	TITLE
01-0001	1	BASE CENTER
01-0002	4	BASE EDGE
01-0003	1	BASE CENTERING RING
01-0004	2	LEG SUPPORT SHORT
01-0005	2	LEG SUPPORT LONG
01-0006	2	BLOCK HOLDER
01-0007	2	LONG LEG
01-0008	8	HINGE A
01-0009	4	HINGE B
01-0010	2	HINGE BRACE
01-0011	1	BRACE A
01-0012	1	BRACE LATCH
01-0013	1	BRACE B
01-0014	2	SHORT LEG
01-0015	2	ROUND TUBE LEG
01-0016	1	WOOD BLOCK
01-0017	4	RUBBER FOOT
01-0018	10	1/4-20 X 1.750 PAN HEAD SCREW
01-0019	1	DOUBLE SIDED SPRING PIN
01-0020	10	1/4-20 NYLOCK NUT
01-0021	1	NAIL STRIKER
01-0022	1	10d NAIL PACK
01-1000	1	MAIN ASSEMBLY
01-0100	1	BASE ASSEMBLY
01-0101	2	LONG LEG ASSEMBLY
01-0102	1	BRACE ASSEMBLY
01-0103	2	ROUND TUBE LEG ASSEMBLY
01-0104	2	SHORT LEG ASSEMBLY
01-0023	20	NYLON WASHER
01-0025	4	RUBBER BUTTON

REPLACEMENT PARTS

- For replacement parts and technical questions, send e-mails to support@knoggle.net.
- Not all product components are available for replacement. The illustrations provided are a convenient reference to the location and position of parts in the assembly sequence.
- When ordering parts, the following information will be required: stock number, quantity and title of the part.
- The distributor / manufacturer reserves the rights to make design changes and improvements to product lines and manuals without notice.

WOOD BLOCK (sn 01-0016)

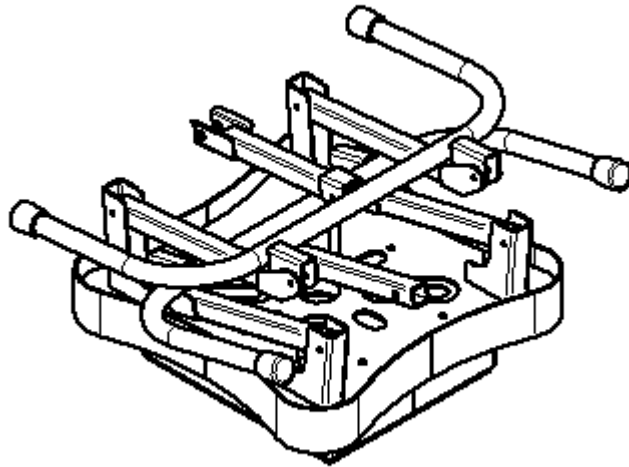
- **Note:** The wood block is considered a consumable item and will eventually need to be replaced.
- If any of the following conditions are met, it may be time to replace the wood block:
 - After extended usage there will be no room remaining for additional nails to be added to the block.
 - As the wood block is filled with nails, stress is added to the wood block and cracking may occur.
- If cracks develop in the wood block, immediately stop using Knöggle. Order replacement wood blocks at support@knoggle.net or visit www.knoggle.net for ordering details.



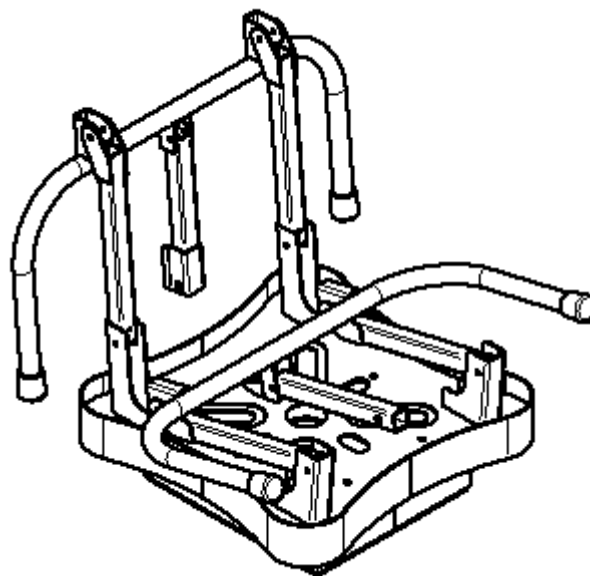
- When using this product, basic safety precautions should always be followed to reduce the risk of personal injury and damage to equipment.
- Do not modify this product in any way. Unauthorized modification may impair the function and/or safety and could affect the life of the product. There are specific instructions of use for which this product was designed. Use only authentic Knöggle replacement parts.
- NEVER sit or stand on the playing surface. It could tip or collapse causing injury.
- Always follow proper operating procedures as defined in this manual even if you are familiar with the use of this product.
- Do not use the Base Assembly as a work bench or table.
- Avoid the pinch points between the legs and top on the base assembly.
- Do not stand or climb on the base assembly. It could tip over, causing serious injury.
- Make sure the legs are opened fully and locked in place before using the base assembly.
- The supplier cannot be held responsible for any accident, injury or damage incurred while using this product.
- Materials used to produce this product may contain chemicals known to the State of California to cause cancer, birth defects or other reproductive harm (Proposition 65).

ASSEMBLY

Step 1: Remove folded unit from packaging. Place the unit face down on a flat surface.

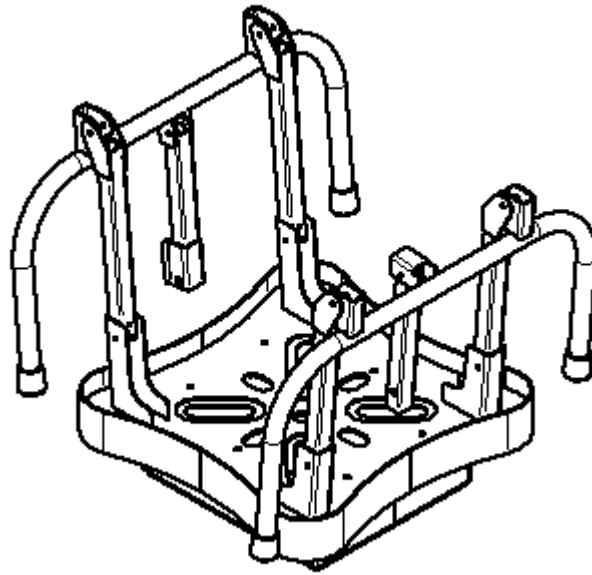


Step 2: Unfold one leg assembly.

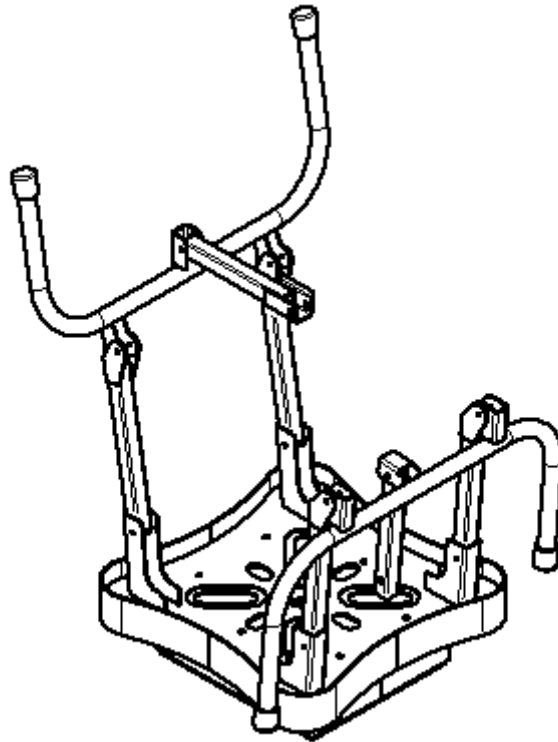


ASSEMBLY

Step 3: Unfold the other leg assembly.

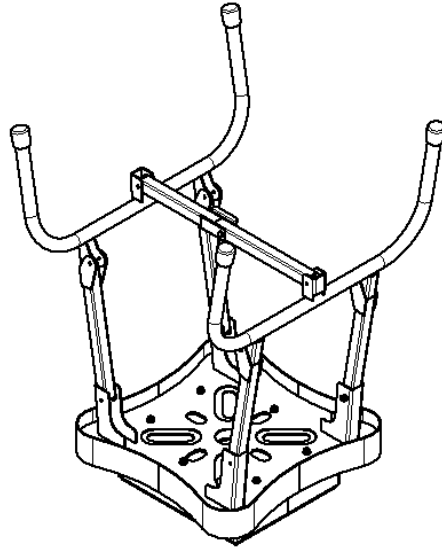


Step 4: Rotate one set of round tube legs upward.

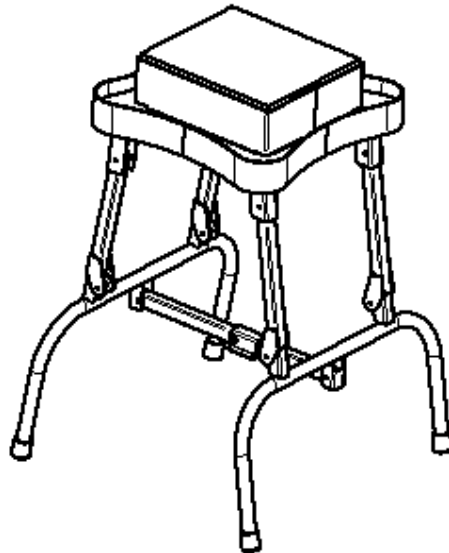


ASSEMBLY

Step 5: Rotate the other set of round tube legs upward. Attach the center braces together. The push button should click into the hole.

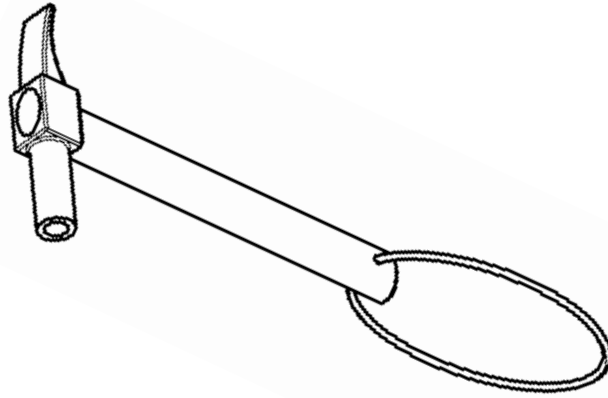


Step 6: Flip the base upright, placing the base onto the unfolded legs.



Step 7: You are now ready for Knöggle!!

NAIL STRIKER



- The nail striker provided is for the sole purpose of playing Knöggle. It is not intended to be used for anything other than as described in this manual.
- Do not use any other hammer or striking device to drive nails into the wood block.
- Use only 10d common nails (3" long) with this product. Other size nails may cause damage to the wood block and base.
- Never strike a hammer or any striking tool against another tool or hardened object.
- If the nail striker shows signs of wear, chipping or damage, discard immediately.
- If the nail striker head becomes loose from the handle, discard immediately.



Important Safety Notes:

- **Dress properly.** Do not wear loose clothing or jewelry. Protective, non-skid footwear is recommended when playing. Wear restrictive hair covering to contain long hair.
- **Use eye protection.** Always wear ANSI approved impact safety eye protection while playing Knöggle. Anyone in the vicinity of the product while playing should always wear ANSI approved impact safety eye protection.
- **Keep Knöggle area clean.** When playing make sure the area is free of any tripping hazards or items laying around on the ground. The play area should be approximately 15 feet in diameter. The Knöggle area should be free of large obstacles such as rocks, stumps, vehicles, furniture, walls, fences...
- **Observe your Knöggle area conditions.** Do not use in damp or wet locations. Don't expose base assembly to rain. Always keep your Knöggle area well lighted. Use on flat, level, dry, hard surface.
- **Keep children away.** Children under the age of 16 must never be allowed in the Knöggle play area. Children under 16 are not allowed to play Knöggle.
- **Store Idle Base Assembly.** When not in use, the Base Assembly, Nail Striker and nails must be stored in a dry location to inhibit rust and weather damage. Always keep out of the reach of children when not in use.
- **Do not overreach.** Never attempt to play Knöggle while sitting. Keep proper footing and balance at all times. Be careful of pinching fingers when working with the Foldable Base legs.
- **Stay alert.** Watch what you are doing, use common sense. Do not play Knöggle when you are tired. Do not place hands, fingers or any other objects on the playing surface while playing.
- **Check for damaged parts.** Before each use, look for any part that appears damaged. Check for any broken parts or mounts and any other condition that may affect proper operation. Inspect unit for loose or missing parts, cracked table top, bent legs... Any part that is damaged should be properly repaired or replaced by a qualified technician.
- **Replacement parts and accessories.** When servicing, use only authentic Knöggle replacement parts. Use of any other parts will void the warranty. Only use accessories intended for use with this product. Authentic Knöggle parts and accessories are available from www.knoggle.net.
- **Stay Sober.** Do not use this product if under the influence of alcohol or drugs. Read warning labels on prescriptions to determine if your judgment or reflexes are impaired while taking drugs. If there is any doubt, do not play Knöggle.

HOW TO PLAY

- **Equipment**
 - Base Assembly
 - Nail Striker
 - 10d (3 inch) Common Nails
 - Coin
 - Driver's License
- **The Object**
 - The team who drives all of their nails into the wood block first wins the match.
- **Preparation**
 - Follow the set-up and safety instructions listed in the Owner's Manual section.
- **Number of Players**
 - 2 to 10
- **Age of Players**
 - 16 and up
- **How to Play**
 - Divide into two teams (Team A and Team B). Each team must have an equal amount of players. Each player receives one nail.
 - Team A and Team B position themselves on opposite sides of the base assembly.
 - Each team member drives their nail into the block until it is 2-1/2" from the top of the block to the top of the nail. This can be measured by using either the pipe side or peen side of the striker head (See Figure 1). The nails can be placed anywhere on their team's side of the block. The nails cannot be placed in the no-play areas. The no-play areas are the center logo and the outer edges of the wood block.
 - **Note:** Once the nail is set to the 2-1/2" depth, check to see that the nail is firmly held in the wood block. If the nail is loose, hit the nail completely into the wood block and drive in a new nail as described above. If at any time during the match a nail is observed to be loose, tap the nail until it is firmly secured in the block (there will be no loss of turn by a player for "tightening up" a loose nail). **NEVER play with a loose nail!!**
 - Before the start of the match, a hitting order is established and announced to the other team. This order must be followed throughout the match (see foul section).
 - The team that starts play is determined by a coin toss. The winning team gets to hit first. The side of the striker used by the winning team is the side that must be used throughout the entire match.
 - Once the starting team makes their first attempt at hitting one of their team's nails, the striker is passed to the opposing team and they make an attempt at hitting one of their team's nails. This repeats in order, alternating between teams until one side has all of their nails driven into the wood block.

HOW TO PLAY (Continued)

- **Winning the Match**
 - The team who hits all of their nails into the wood block first is the winner. To verify that all the nails are driven into the wood block completely, scrape a driver's license across the top of the nails. If none of the nail heads catch, there is a winner!

- **Fouls**
 - **Striker Talk:** If you are caught at any time during a match talking with the striker in your hand, your team loses a turn.
 - **Hitting Out of Order:** If you catch the other team hitting out of order, you add a nail to your team's side of the wood block.
 - **Striker Violation:** Any one of the following will result in a loss of turn for your team.
 - Using the wrong side of the striker.
 - Raising the striker above your shoulder.
 - Hitting the block / nail more than once per turn.
 - "Balking" during a swing attempt.
 - Not wearing the wrist strap.
 - Tossing, swinging, gesturing... the striker at another player.

- **Proper Striking of the Nail**
 - Wrist strap must be around your wrist and both feet on the ground.
 - Using one hand, line up your hit.
 - Prior to beginning your swing, the face of the striker must be touching the base assembly.
 - The swing attempt must be completed in one continuous motion, otherwise resulting in a balk and a loss of your turn.
 - In the event that a nail becomes bent, straighten the nail. If the nail is loose after straightening, tap in the nail until it is firmly held in the wood block. If the nail is too bent over to be straightened, tap in the nail completely and start a new nail. Tap in the new nail to approximately the same depth of the nail you are replacing before it was bent.
 - **NEVER strike a loose nail!!!**

- **Match Modifications for Beginners**
 - Start with nails at 1-1/4" from the wood block surface (See figure 2).
 - Use two hands on the striker.
 - Use only 1 nail per team.
 - No restrictions on which face of the striker is used.
 - Note: These modifications can apply to a single player or an entire team. Use of any or all of these rule modifications must be decided upon prior to the start of each match.

- **Alternate Match Play**
 - When playing, only hit your own nail.
 - When it's your turn, if you make contact with your nail, continue hitting your nail until you miss.

FIGURE 1

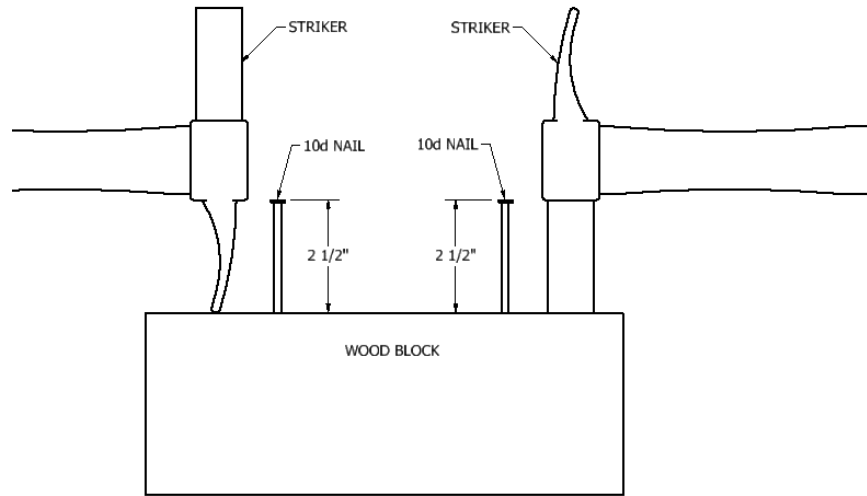
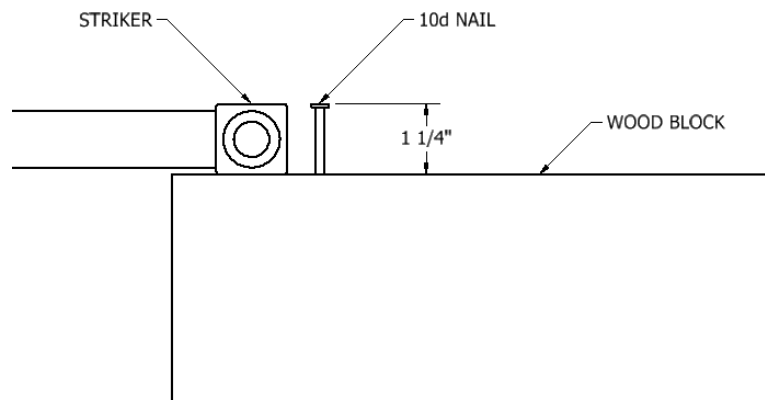


FIGURE 2



WARRANTEE

LIMITED 90 DAY WARRANTY

Thank you for purchasing this Eichenfeld LLC. product! We manufacture our products with the highest quality standards. This is warranted to the original purchaser that this product is free from defects in materials and workmanship for the period of 90 days from the date of purchase. This warranty does not apply to damage due directly or indirectly, to misuse, abuse, neglect, negligence or accidents, repairs or alterations outside our facilities, criminal activity, improper installation, normal wear and tear, or to lack of maintenance. We shall in no event be liable for death, injuries to persons or property, or for incidental, contingent, special or consequential damages arising from the use of our product. Some states do not allow the exclusion or limitation of incidental or consequential damages, so the above limitation of exclusion may not apply to all. This warranty is in lieu of all other warranties, expressed or implied, including the warranties of merchantability and fitness.

To take advantage of this warranty, the product, accessory or part must be returned to us with transportation charges prepaid. Proof of purchase date and an explanation of the complaint must accompany the merchandise. If our inspection verifies the defect, we will either repair or replace the product at our discretion. We will return repaired products at our expense, but if we determine there is no defect, or that the issue resulted from causes not within the scope of our warranty, then you must bear the cost of returning the product.

This limited warranty does not cover: (a) normal wear and tear; (b) damage through abuse, neglect, misuse, or as a result of any accident or in any other manner; (c) damage from misapplication; (d) failure to read and comply with the owner's manual; (d) improper maintenance and repair; and (e) product alteration in any manner by anyone other than Eichenfeld LLC. or an approved entity, with the sole exception of alterations made pursuant to product instructions and in a proper workmanlike manner. As the owner of this product, YOU acknowledge and agree that any use of the product for any purpose other than the specified use stated in the product instructions is at YOUR own risk. This warranty does not cover consumable items such as wood blocks and nails. This product is intended for private use only and not intended for commercial use. This warranty does not cover required service and part replacement resulting from normal wear and tear, including accessory wear. This warranty gives you specific legal rights and you may also have other rights which vary from state to state.

Eichenfeld LLC.
P.O Box 211
Oakfield, NY 14125
support@knoggle.net