


GHS-730

LED USER MANUAL

Installation and Operating Instructions



**PLEASE READ
THESE INSTRUCTIONS
BEFORE USING
THE PRODUCT**

INTRODUCTIONS:

Introducing the New GHS-730, this sturdy commercial-grade light is designed and built for use in commercial horticultural facilities. The GHS-730 delivers one of the highest light outputs in the industry at 730W with excellent thermal management. Its sleek linear design eliminates unwanted shadows and makes it ideal for supplemental lighting in greenhouses. As an added benefit this fixture is also compatible with our CPS (Central Power Solution).



		Specifications			
Item	Model	GHS-730			
Light Source		LED			
Spectrum		GC-3K Full Phase			
PPF		1800 umol/s			
Input Power		730W			
Efficacy		2.6 umol/J			
Fixture Dimension (L*W*H)		45.5"L x 5.2"W x 4.4"H / 115.5cm x 13.1cm x 11.2cm			
Fixture Weight		28lbs / 12kg			
Mounting Height		Minimum 36" above canopy			
Thermal Management		Passive			
Dimming		0-10V			
Light Distribution		120°			
Maximum Ambient		104°F / 40°C			
Power Factor		>90%			
Certifications		IP65, UL8800, UL1598, DLC			
Lifetime		L90: >54,000 hrs			
Warranty		5 Years Standard Warranty			

Model	Voltage	120V	208V	240V	277V
GHS-730		6.6A	4.6A	3.6A	2.9A

* PPF calculations completed using our in-house integrating sphere measurements and typical spectroradiometric data for each LED to determine the fixture performance. Actual photometric results may vary within the LED's manufacturer's bin tolerance.

* Wattage values are typical expected values. TSL Horti Tech maintains a tolerance of +/- 10% range on flux and power consumption. Target light level can vary from projected levels depending on ambient temperature, room reflections values, and other conditions.





SAFETY WARNINGS:

The GHS-730 is a passively cooled system with no moving components. Do not try to open or disassemble the fixture, it contains no service parts inside. Doing so May cause harm to the fixture and void warranty.

- Always adhere to the local rules and regulations when installing or using the fixture.
- Wearing protective gloves and glasses is recommended during installation.
- Always disconnect from power source before performing any maintenance to the fixture.
- The fixture will get hot during operation. Do not touch while the light is on. Keep this product away from children.
- Always allow at least 10 minutes for the fixture to cool down before handling.
- Do not touch the LED diodes.
- Keep the power cord away from hot surfaces.
- Do not plug this system into a supply voltage other than what is instructed on the fixture.
- Do not use the fixture when the power cord is damaged.
- Do not use the fixtures if the unit has been dropped, and there is damage to the enclosure or bars.
- Only for damp location



WARNING

Risk of electrical shock. To reduce the possibility of serious injury, always take the proper precautions and unplug the fixture before moving or cleaning.



CAUTION

To reduce the risk of overheating or fire, never place operating fixtures face down on a flush surface. Always allow for adequate ventilation of fixtures and power supplies.

CAUTION

LED and heat sink surfaces may be hot. Allow sufficient cooling time before handling.

CAUTION

To prevent eye damage, avoid looking directly at the unshielded LEDs.

CAUTION – RISK OF PERSONAL INJURY

Disconnect power before servicing or installing fixture. Lighted fixture may be hot. To reduce risk of injury, turn off or disconnect power and allow to cool before handling. Fixture must be grounded in accordance with appropriate codes. Failure to do so may result in serious injury or death. Be sure all power is off prior to installing fixture.

WARNING - POSSIBLE RISK OF INJURY TO EYES AND SKIN

- Hazardous optical radiation may be emitted from the light source. Do not stare at operating lamp. May be harmful to the eyes.
- UV may be emitted from the light source. Eye or skin irritation may result from exposure. Use appropriate shielding.
- IR may be emitted from the light source. Do not stare at operating lamp.

AVERTISSEMENT - RISQUE POSSIBLE DE BLESSURE AUX YEUX ET À LA PEAU

- Un rayonnement optique dangereux peut être émis par la source lumineuse. Ne regardez pas la lampe opératoire. Peut être nocif pour les yeux.
- Des UV peuvent être émis par la source lumineuse. Une irritation des yeux ou de la peau peut résulter de l'exposition. Utilisez un blindage approprié.
- Des infrarouges peuvent être émis par la source lumineuse. Ne regardez pas la lampe opératoire



CONTENTS:

- GHS-730
- GHS-730 Driver
- 240/120 adapter
- Metal Hangers
- Power Cord

Not Included:

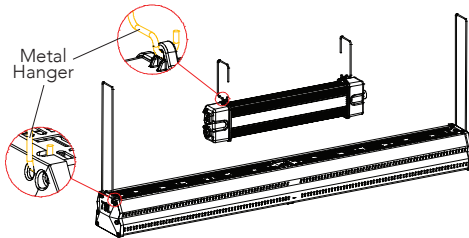
- Lighting Controller
- Chains
- Carabiner hangers
- RJ14 Cord

INSTALLATION:



- Remove your GHS-730 from its packaging.
⚠ (Do not remove the diode strip protective plastic until the installation process is finished.)

- Place the included metal hangers on the desired beam. After this insert it into the mounting holes at both ends of the unit.

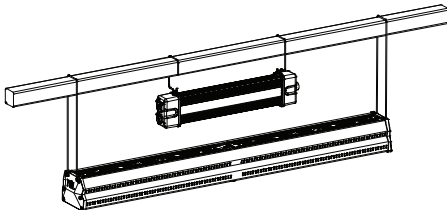


- Next mount the driver using the S shaped metal hangers provided on the same beam.

- After the beam installation plug in the power cord with M25 adapter at each end and plug them from your unit to its driver.

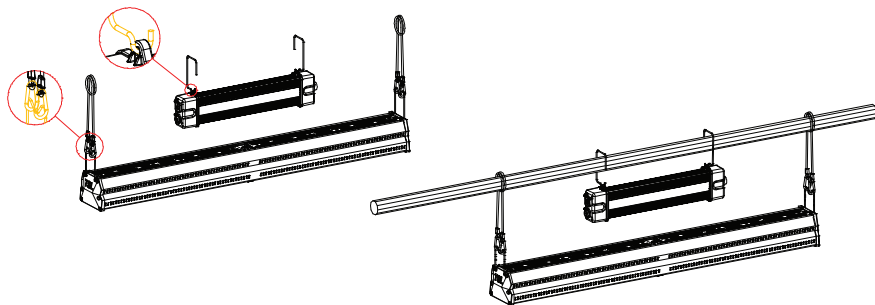
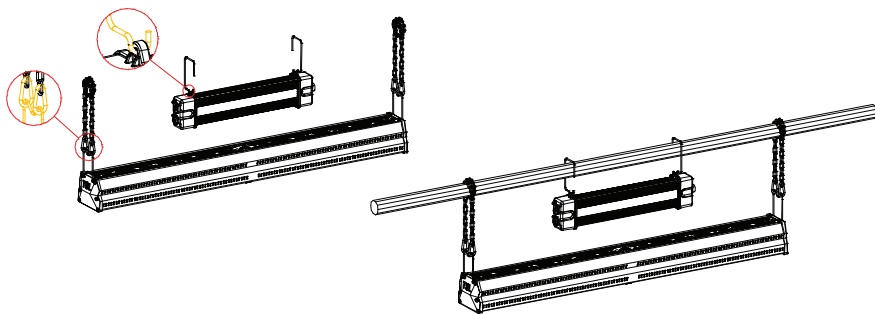
- Then take your power cord with and plug in the M25 adapter into the driver.

- Lastly remove the protective plastic from the diode strip.



Other Installation Options

For other installation methods refer to the provided charts. Mounting/hanging gear not included.



CONTROLLABILITY:


The GHS-730 are fully controllable with a controller or through a Central Power System (CPS). If using a controller you will need RJ14 data cords.





WARRANTY:

TSL Horti Tech and Grower's Choice warrants the mechanical and electronic components of their product to be free from defects in material and workmanship if used under normal operation conditions for a period of 1 year from the original date of purchase. If the product shows any defects within this period and that defect is not due to user error or improper use, TSL Horti Tech and Grower's Choice shall, at its direction, either replace or repair the product using suitable new or reconditioned products or parts. TSL Horti Tech and Grower's Choice warranty liability extends only to the replacement cost of the product. In case TSL Horti Tech and Grower's Choice decides to replace the entire product, the limited warranty shall apply to the replacement product for the remaining initial warranty period.



TSL Horti Tech and Growers Choice shall not be held responsible for any damage caused by the operation of the unit, be it incidental or consequential or any type including, without limitation, damage or injury caused to other products or machinery or buildings. Nor will responsibility be accepted for loss of time or profit, or for any inconvenience caused in any way whatsoever.



Tel: (909) 972-8419

E-mail: info@growersc.com

Website: www.growersc.com

Address: 2510 E Merrill Ave. Ontario CA 91762



GHS-730 LED System Instructions revised - April 08, 2022