



# GHS-730



Full Phase Spectrum



UL 8800  
CERTIFIED



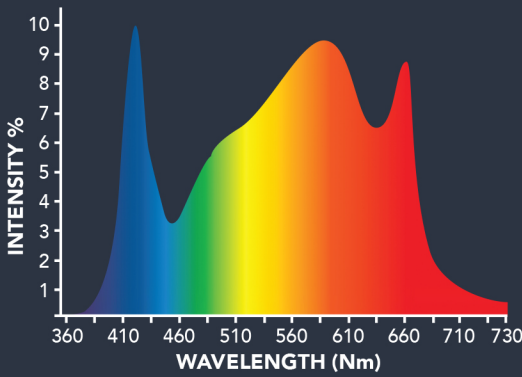
Controller Compatible



CPS Compatible



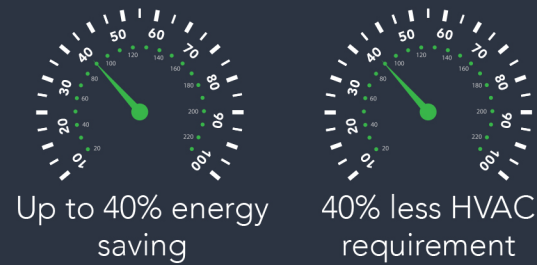
Introducing the new GHS-730, this sturdy commercial-grade light is designed and built for use in commercial horticultural facilities. The GHS-730 delivers one of the highest light outputs in the industry at 730W with excellent thermal management. Its sleek linear design eliminates unwanted shadows and makes it ideal for supplemental lighting in greenhouses. As an added benefit this fixture is also compatible with out CPS (Central Power Solution).



## High Performance:



## Energy Saving and Easy HVAC :

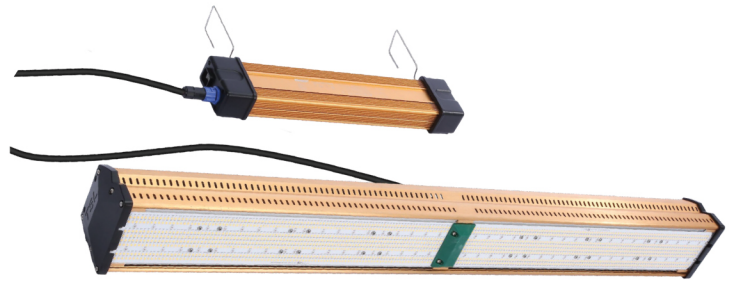


## Total Control:

The GHS-730 is controllable with Grower's Choice Master Controllers and is compatible with all quality master controllers. Cultivators can set the fixture to turn off and on at desired times, program sunrise/sunset settings, program dimming options and set protective fail safes to dim or turn off fixtures in the event of excessive room temperatures, such as in the event of HVAC failure, potential saving gardens from heat damage.



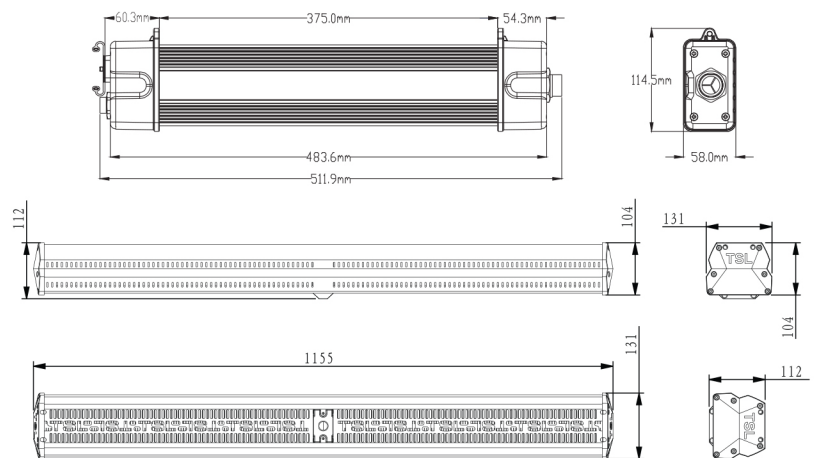
Compatible with  
Grower's Choice Master Controller



SPECIFICATIONS	
Model Number	GHS-730
Light Source	LED
Spectrum	GC-3K Full Phase
PPF	1800 $\mu\text{mol/s}$
Input Power	730W
Efficacy	2.6 $\mu\text{mol/J}$
Fixture Dimension/Weight	45.5" L x 5.2" W x 4.4" H / 28lbs 115.5cm L x 13.1cm W x 11.2cm H / 12kg
Mounting Height	min 36" above canopy
Thermal Management	Passive
Max. Ambient Temperature	104°F / 40°C
Dimming	0-10V
Light Distribution	120°
Lifetime	L90: >54,000 hrs
Power Factor	>90%
Certifications	IP65, UL 8800, UL1598, DLC
Warranty	5 Years Standard Warranty

### AMPERAGE BY VOLTAGE SERVICE @ 730W

VOLTAGE	120V	208V	240V	277V
AMPERAGE	6.6A	4.6A	3.6A	2.9A



\* PPF calculations completed using our in-house integrating sphere measurements and typical spectroradiometric data for each LED to determine the fixture performance. Actual photometric results may vary within the LED's manufacturer's bin tolerance.

\* Wattage values are typical expected values. TSL Horti Tech maintains a tolerance of +/- 10% range on flux and power consumption. Target light level can vary from projected levels depending on ambient temperature, room reflections values, and other conditions.