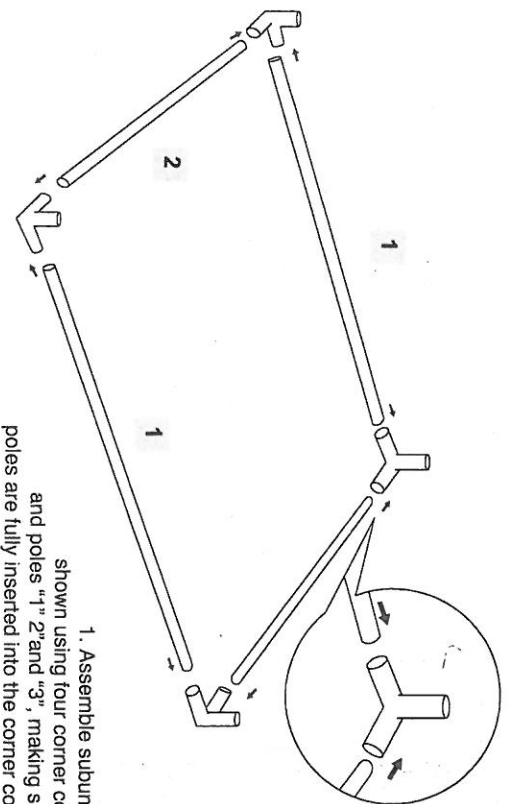
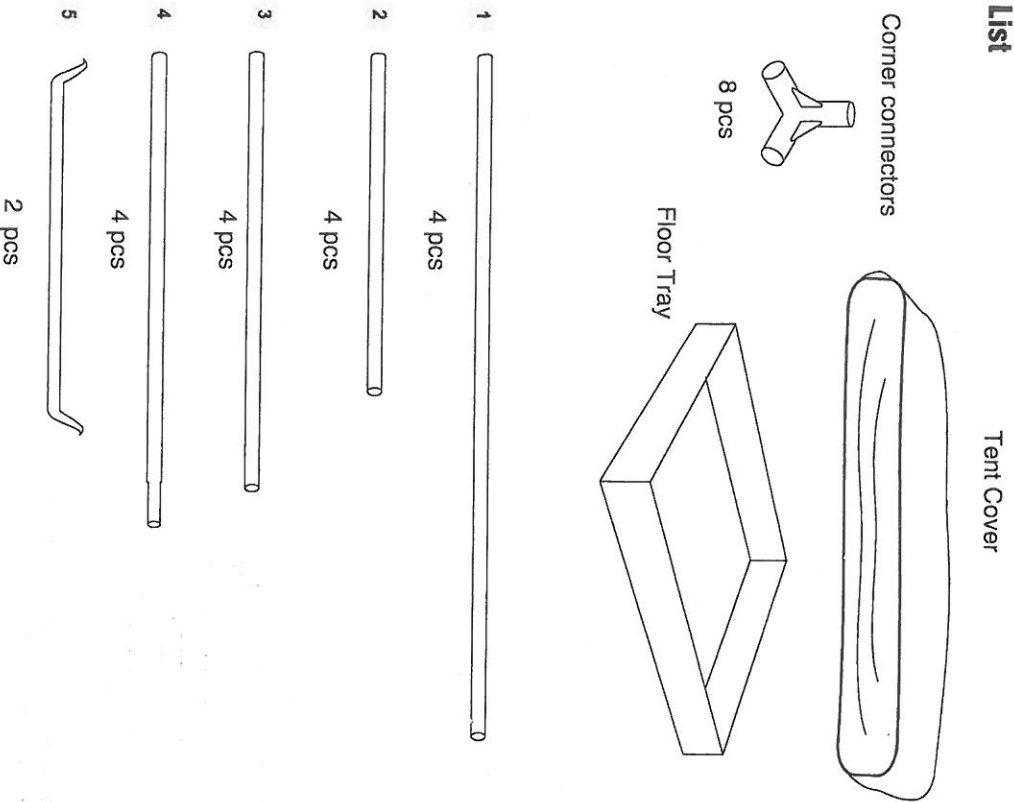


ROW TENT ASSEMBLY INSTRUCTIONS

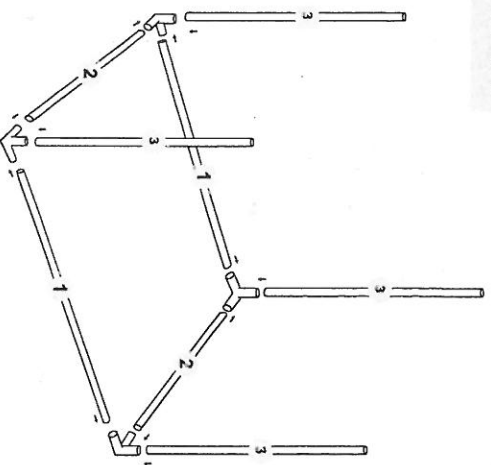
For Tent Size (cm): 70- 140x50-70x120-200

Parts List

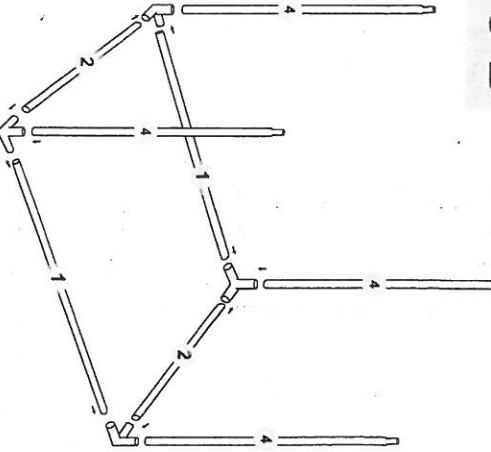


1. Assemble subunit S-A as shown using four corner connectors and poles "1" "2" and "3", making sure that the poles are fully inserted into the corner connectors.

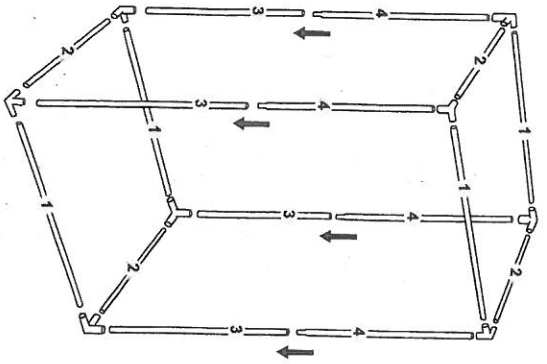
S-A



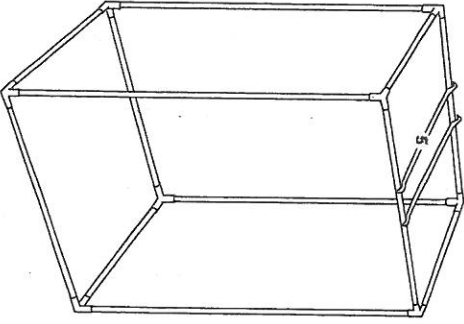
S-B



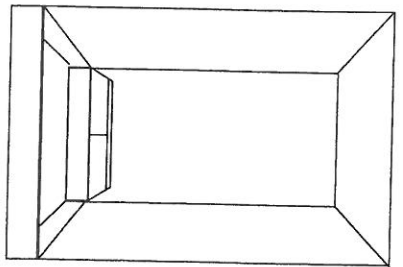
2. Repeat using poles "1" "2" and "4" to assemble subunit S-B.



3. Connect open ends of subunits S-A and S-B to form the complete frame. Once the frame is assembled, make sure that all poles are fully inserted into their respective connectors (i.e. put frame on the floor and apply force from the top, pushing down at the corners, then rotate and repeat as necessary).

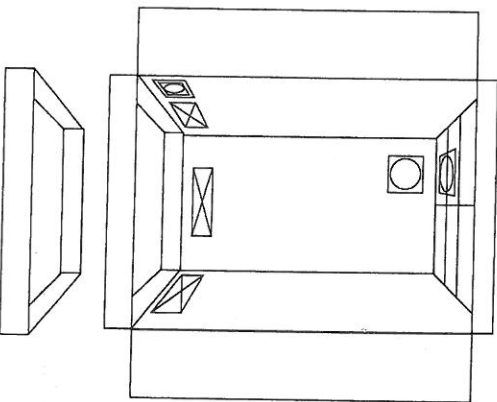


4. Place hanging poles "5" on the top of the frame.

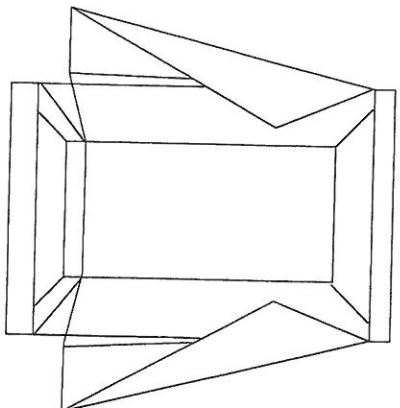


5. Unzip all zippers of the tent cover all the way.

6. Put frame upright on the base of the tent, making sure that all four corners are inside the base.



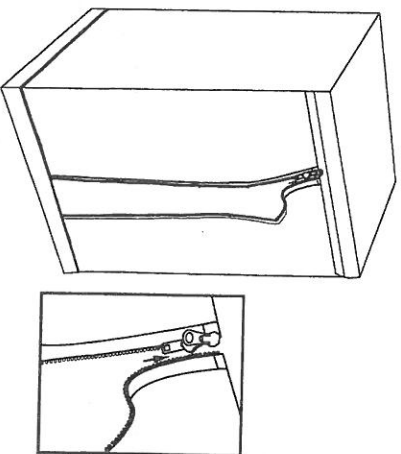
10. Place floor tray/liner inside the tent floor and secure to Velcro pieces of the tent cover.



7. Gently pull up the back of the tent cover such that the two upper back corners of the cover are squarely in place. Note that having a helper makes this process easier.

8. Gently pull the "roof" of the tent to cover the two upper front corners.

9. Gently wriggle/adjust all eight corners until cover is square against the frame.



11. Close all zippers.

All parts have been assembled