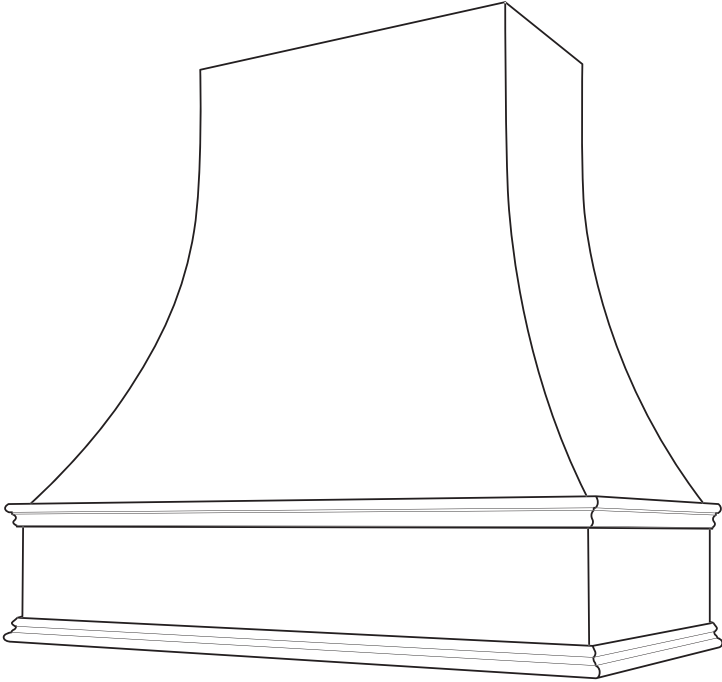


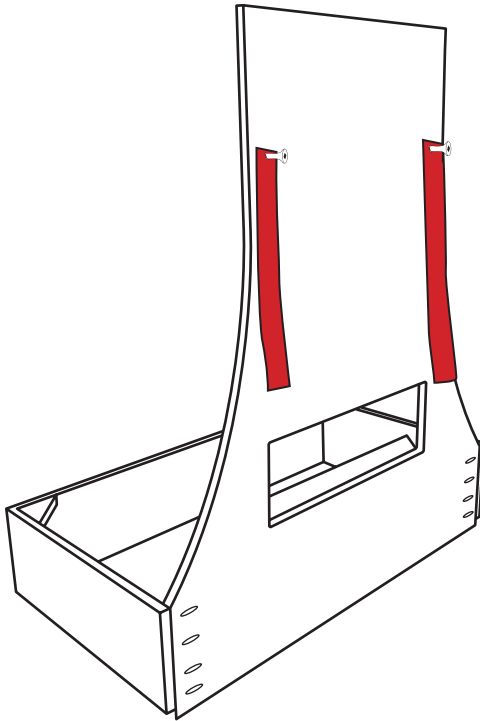
RILEY & HIGGS

Wood Range Hood Installation Manual





Before You Begin



Please remove the two packing screws from the back of the hood. These screws are marked with red flagging tape and are only used for shipping purposes.

Installation Manual

It would be best to choose a licensed electrician, HVAC Contractor, and a cabinet installation professional to assist with the installation. Above all, ensure you are meeting all building codes in your area. While this installation is not complicated, you must have electrical, ventilation, and finish carpentry skills. To complete the installation, you may need to cut, sand, chisel, and other essential woodworking functions. You, as the installer, are responsible for making sure you leave appropriate clearances above your range hood and below.

We are not responsible for the installation or the lack of comprehension of the installation process. The installation instructions below and on the next page are general guidelines. Your structure may be different, may or may not require adhesive, and may not require pin nailing.

- Thoroughly inspect all products for any damage or defects before starting installation.
- It's the responsibility of the property owner to acquire any local municipal permits.



Installation

We recommend installing the ventilation before hanging the apron portion on your wall. Installing the ventilation after the apron portion is on the wall will increase installation difficulty.





Installation

Please follow the instructions for the ventilation you purchased to duct and wire the ventilation properly.

We highly recommend hiring a licensed professional contractor with electrical, cabinet, carpentry, and HVAC experience. While this installation is not complicated, electrical, ventilation, and finish carpentry skills are required. In addition, you may need to cut, sand, alter and perform other woodworking functions to complete the installation. We are not responsible for failure to meet local code requirements, faulty installation methods, or other mistakes that may result from a lack of understanding of the skills necessary for completing the installation process.



Recommended Tools & Materials

The tools and materials are a recommended list for the basic installation of the wood range hood. In addition, other tools and materials may be required, such as specialty power tools, sandpaper, and miscellaneous woodworking tools.



Brad Nailer



Vent Blower Unit



Level



1 1/4" Brad Nails
23 Gauge Pin Nails



Tape Measure



Power Screwdriver



Cabinet Screws

We highly recommend using cabinet screws (also known as washer-head or button-head screws). Typically these screws are fabricated with case hardened steel and have high tensile, torque, and shear strength explicitly designed for wood-to-wood fastening, especially for heavy, concentrated loads. DO NOT use 'sheet rock' screws.

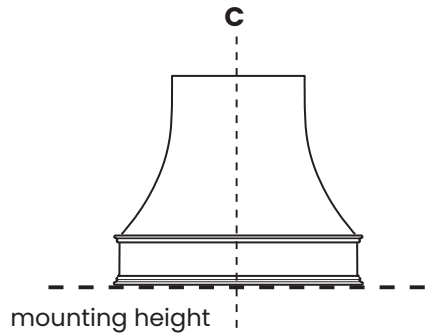


Construction Adhesive or Silicone

Depending on the local municipal code, adhesive/silicon may not be required. Construction adhesive (such as Liquid Nails®) may be necessary, per code. If able, use silicone since it can be removed and re-applied if future ventilation or fan blower unit maintenance is needed.

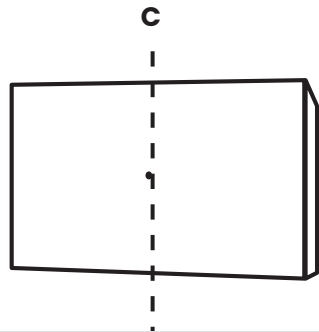
Note: The above list only applies to installing the wood range hood and does not include tools and electrical and ventilation work materials. The installer's responsibility is to have the tools, materials, knowledge, and skill to install electrical and ventilation properly. Please refer to and follow the individual manufacturer's instructions for installing the fan/blower unit, electrical connections, and ventilation components.

1 Identify the center point of the hood and the mounting height. For the mounting height, mark a level line (on the wall) where the bottom of the hood will be. Hood should be 1/2" to 3/4" below ceiling.



2 Locate and mark at least two studs in the wall for mounting.

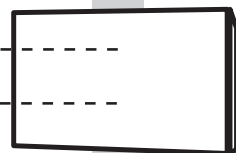
3 Identify and mark the center of the mounting cleat on your Hoodsly Hood. You will have to remove this piece from your hood before hanging on the wall.



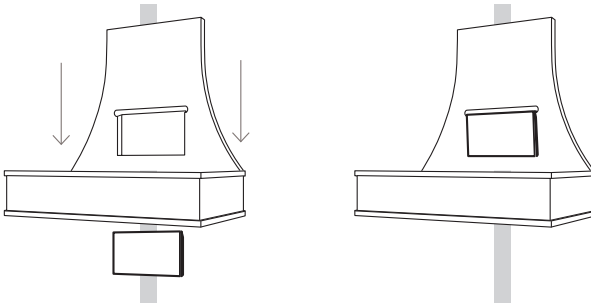
Note: Use of the mounting cleat is not required.

4 Mount cleat using screws no less than 2 1/2" into available studs.

x2

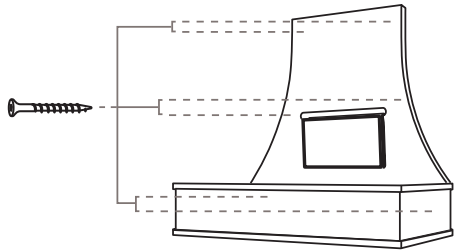


- 5 Hang hood apron onto cleat, adjust the center, and ensure a leveled positioning, see below. Mount cleat on a horizontal line into stud(s).



Note: We suggest installing ventilation into the hood apron before mounting to the wall.

- 6 Always fasten the apron back using more screws (2 1/2"+) to two studs.



- 7 Make ventilation connections before moving onto step 8.

- 8 If needed, apply adhesive as shown in bold. Then, install chimney and fasten using 23 gauge nails for positioning as shown on the right.

