

# TAP-10

## RECESSED CONTACTS

.37"(9.5mm) Recessed Type



Contact Size: .37"×1.26"(9.5mm×32mm)

Standard Magnet Size: .37"×1.26"(9.5mm×32mm)



Standard Gap: .6"(15mm)

Colors: White, Brown



12"(305mm) 22 AWG Leads Standard

Longer leads available.

### Specifications

Part Number	Gap Inch(mm)	Loop Open/Closed	Reed Form	Max. Contact Rating(W)	Max. Initial Contact Resistance(mΩ)	Max. Switching Voltage (V)	Max. Switching Current (A)
TAP-10	.6"(15)	CLOSED	Normally Open	10	100	AC110/DC100	0.5
TAP-11B	.6"(15)	OPEN	Normally Closed	3	100	AC30/DC30	0.2
TAP-10 WG	1.26"(32)	CLOSED	Normally Open	10	100	AC110/DC100	0.5
TAP-10 W/ MINI MAG	.6"(15)	CLOSED	Normally Open	10	100	AC110/DC100	0.5
* TAP-10 FM Special Order	.6"(15)	CLOSED	Normally Open	10	100	AC110/DC100	0.5
* TAP-11B FM Special Order	.6"(15)	OPEN	Normally Closed	3	100	AC30/DC30	0.2
TAP-12C	.6"(15)	SPDT	SPDT	3	100	AC30/DC30	0.2

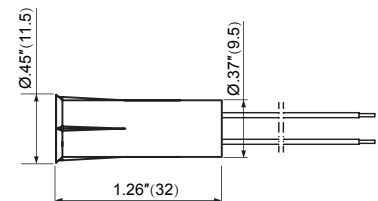
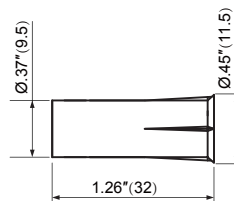
OPERATING TEMPERATURE:-40°C to +60°C

\*SPECIAL ORDER - Call for Min. Order Qty. - Leadtime - Pricing

### Outline Dimensions

Unit: inch(mm)

#### TAP-10/TAP-11B



*"We Contact The World"®*

The Best Guarantee Since 1984 : \$50-1

## TANE ALARM PRODUCTS

906 JERICHO TURNPIKE, NEW HYDE PARK, NY 11040

Tel: 800-852-5050 • 516-328-3351 • Fax: 516-326-9125

www.tanealarm.com • E-MAIL: info@tanealarm.com

# TAP-10

# RECESSED CONTACTS

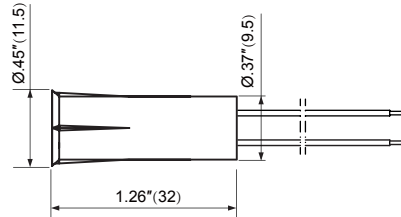
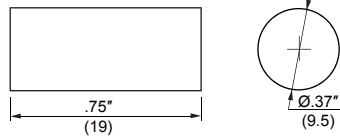
## Outline Dimensions

Unit: inch(mm)

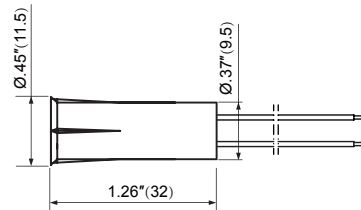
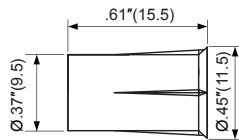
### TAP-10 WG



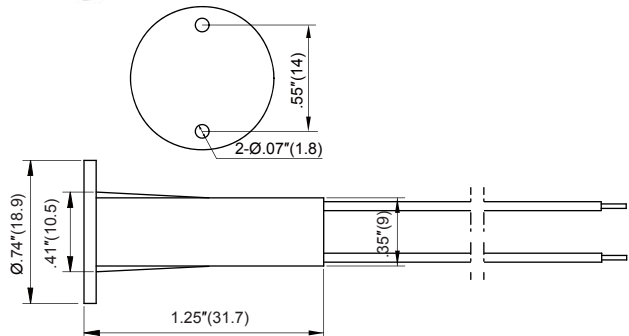
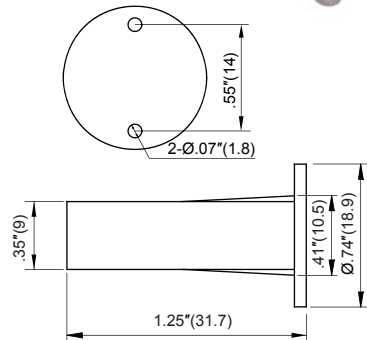
Bare Rare Earth  
(BT 3/8"×3/4")



### TAP-10 W/MINI MAG



### TAP-10 FM/TAP-11B FM



The Best Guarantee Since 1984 : \$50-1

## TANE ALARM PRODUCTS

906 JERICHO TURNPIKE, NEW HYDE PARK, NY 11040

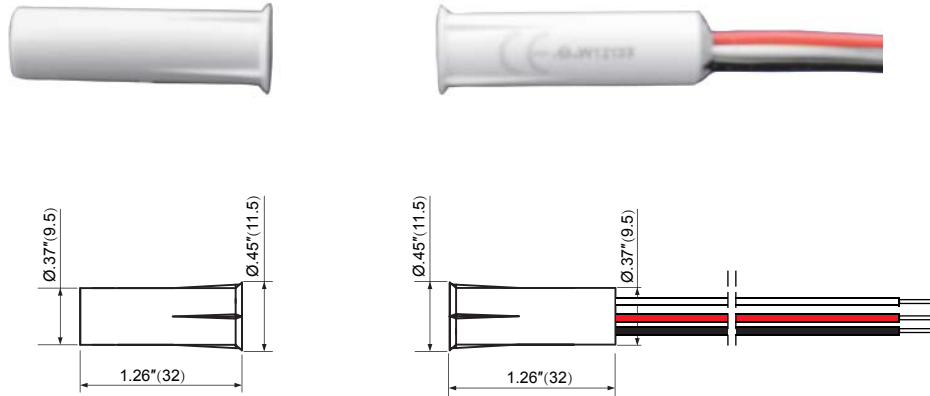
Tel: 800-852-5050 • 516-328-3351 • Fax: 516-326-9125

www.tanealarm.com • E-MAIL: info@tanealarm.com

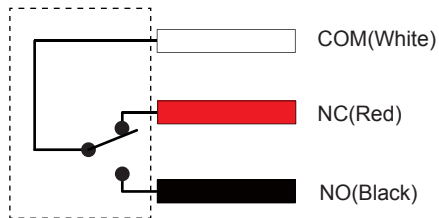
### Outline Dimensions

Unit: inch(mm)

#### TAP-12C



#### TAP-12C Wiring Diagram



The Best Guarantee Since 1984 : \$50-1

## TANE ALARM PRODUCTS

906 JERICO TURNPIKE, NEW HYDE PARK, NY 11040

Tel: 800-852-5050 • 516-328-3351 • Fax: 516-326-9125

www.tanealarm.com • E-MAIL: info@tanealarm.com