

# TANE-66 WG OVERHEAD DOOR CONTACTS

\*\*TANE-68 WG-WP18 (Water Resistant - SPDT)

Track Mount Overhead Door Commercial Type



Contact Size: 2.76"Lx3.15"Wx1.57"H

(70mmx80mmx40mm)

Standard Magnet Size: 3.54"Lx3.1"Wx1.69"H

(90mmx78.8mmx43mm)

Standard Gap: 2.5"(64mm)

Colors: Aluminum

18"(458mm) Armor Leads Standard

36"(915mm) Armor Leads Available

## Specifications

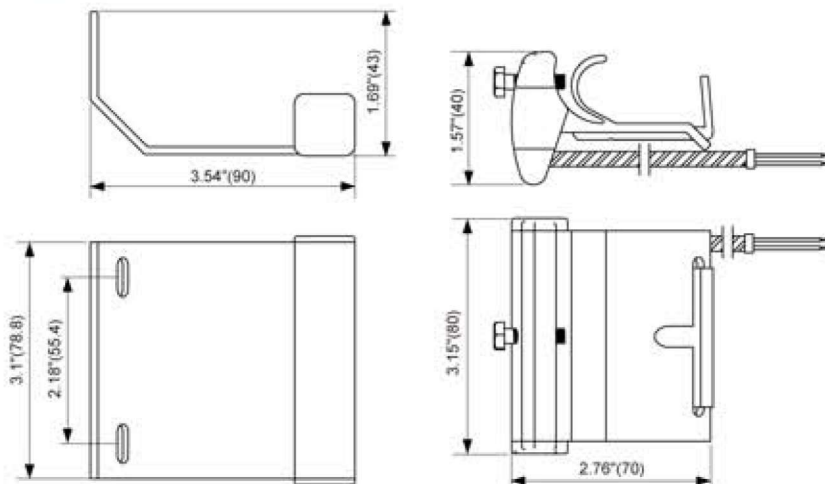
Part Number	Gap Inch(mm)	Loop Open/Closed	Reed Form	Max. Contact Rating (W)	Max. Initial Contact Resistance (mΩ)	Max. Switching Voltage (V)	Max. Switching Current (A)
TANE-66 WG	2.5"(64)	CLOSED	Normally Open	10	100	AC110/DC100	0.5
TANE-67 WG	2.2"(55)	OPEN	Normally Closed	3	100	AC30/DC30	0.2
TANE-68 WG	2.2"(55)	SPDT	SPDT	3	100	AC30/DC30	0.2
**TANE-68 WG -WP18	2.2"(55)	SPDT	SPDT	3	100	AC30/DC30	0.2

OPERATING TEMPERATURE: -40°C to +60°C

## Outline Dimensions

Unit: inch(mm)

### TANE-66 WG/TANE-67 WG



The Best Product Guarantee since 1984®

## TANE ALARM PRODUCTS

906 JERICHO TURNPIKE, NEW HYDE PARK, NY 11040

Tel: 800-852-5050 • 516-328-3351 • Fax: 516-326-9125

www.tanealarm.com • E-MAIL: info@tanealarm.com

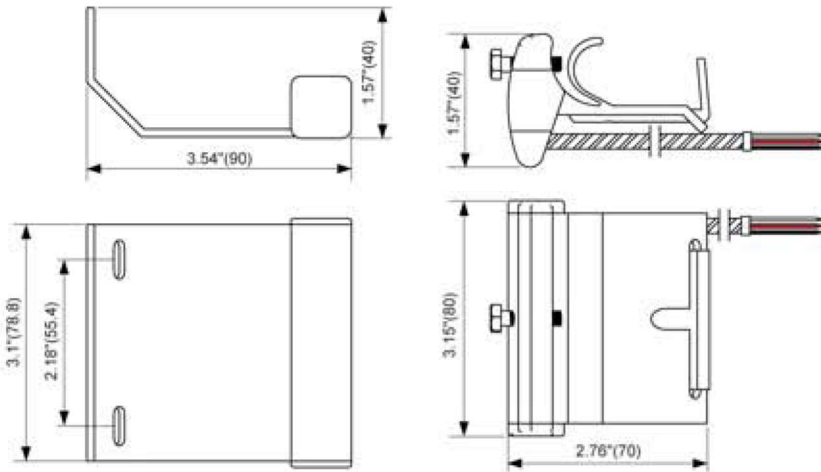
*"We Contact The World"*

# TANE-66 WG OVERHEAD DOOR CONTACTS

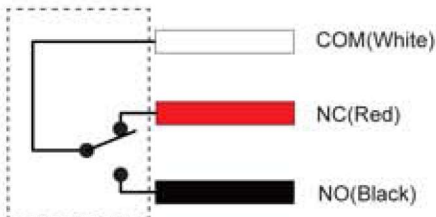
## Outline Dimensions

Unit: inch(mm)

TANE-68 WG  
TANE-68WG WP18



TANE-68 WG Wiring Diagram  
TANE-68WG WP18 Wiring Diagram



The Best Product Guarantee since 1984®

**TANE ALARM PRODUCTS**

906 JERICHO TURNPIKE, NEW HYDE PARK, NY 11040

Tel: 800-852-5050 • 516-328-3351 • Fax: 516-326-9125

www.tanealarm.com • E-MAIL: info@tanealarm.com

*"We Contact The World™"*