

Weather Resistant Electromagnetic Lock



The Lockwood Padde Series Weather Resistant Electromagnetic Lock operates with holding forces from 250kg up to 580kg. Covering a range of applications these are ideal where magnets are exposed to the weather. With fixing options including wood, aluminium and steel constructions as well as glass door applications, the range caters to most external needs. The electromagnets are available in monitored models using hall-effect monitoring. These electromagnetic locks are CSIRO approved for use on fire doors and are characterised by their high quality and proven reliability in both fire and security applications. The “smart electronics” have zero residual magnetism meaning instantaneous release when required. An additional advantage is the ability to select either 12V or 24V DC application on site.

Key Features

- Fail-safe: unlocks when power is removed
- Easy installation: suitable for both new and retrofit usage
- Self-alignment: armature plate pivots to accommodate door drop
- Silent operation: no humming or buzzing
- Dual voltage: site selectable 12 or 24 Vdc
- Monitored versions: hall-effect status monitoring available
- 5 Year Tricare Warranty (Padde Series)

Monitoring

Hall / Bond Monitoring

Hall-effect position sensors are non-contact devices that convert energy from a magnetic field into an electrical signal. This indicates that the lock is powered and that the armature plate is in position and magnetically bonded (it monitors if the magnet is locked).


Applications

- Outdoor / exposed doors
- Doors located in coastal areas

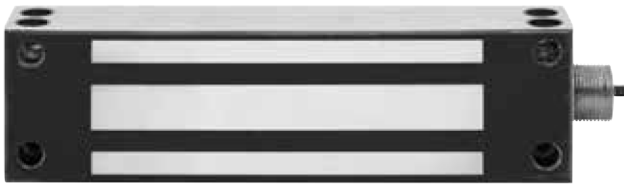
Product Details

Z8 Weather Resistant Electromagnet	
Holding Force	550kg-580kg
Dimensions	(L)230 x (H)67 x (D)43 mm
Voltage	12Vdc/ 24Vdc ±10%
Current	512mA @ (12Vdc) 256mA @ (24Vdc)
Monitoring	Hall-Effect
Operating Temperature	-25 to 55 Degrees
Operating Humidity	0-95%

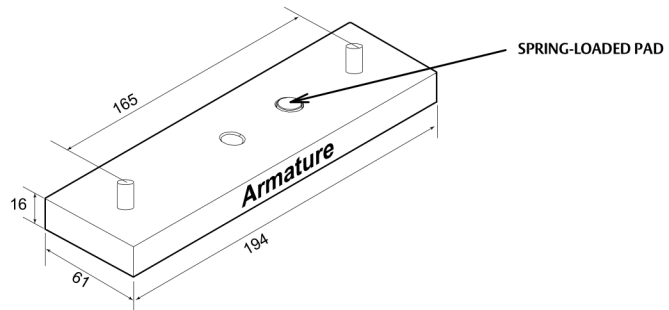
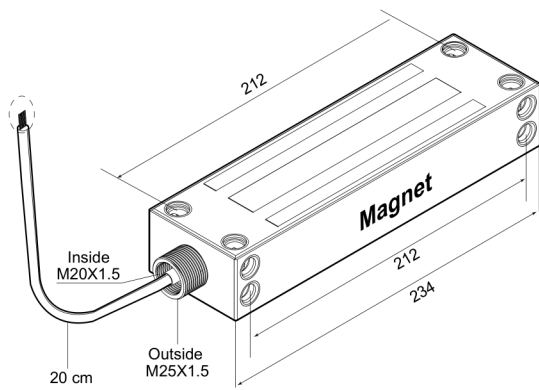
Standards and Compliance

	CE Approved
	C-Tick Certified

Weather Resistant Electromagnetic Lock



Z8 Weather Resistant Electromagnetic Lock - Monitored



Ordering Information

Part Number	Product Description
EMZ8-WSM	EMZ8 E/Magnet Weather Res 12/24Vdc Single Monitored

Specification Statement

The Weather Resistant Electromagnetic Lock should be constructed in an aluminium case with heavy duty electromagnet. The range only operates in fail safe mode and relies on a secondary lock or battery backup system. In some cases the magnet armature plate pivots to accommodate door drop.