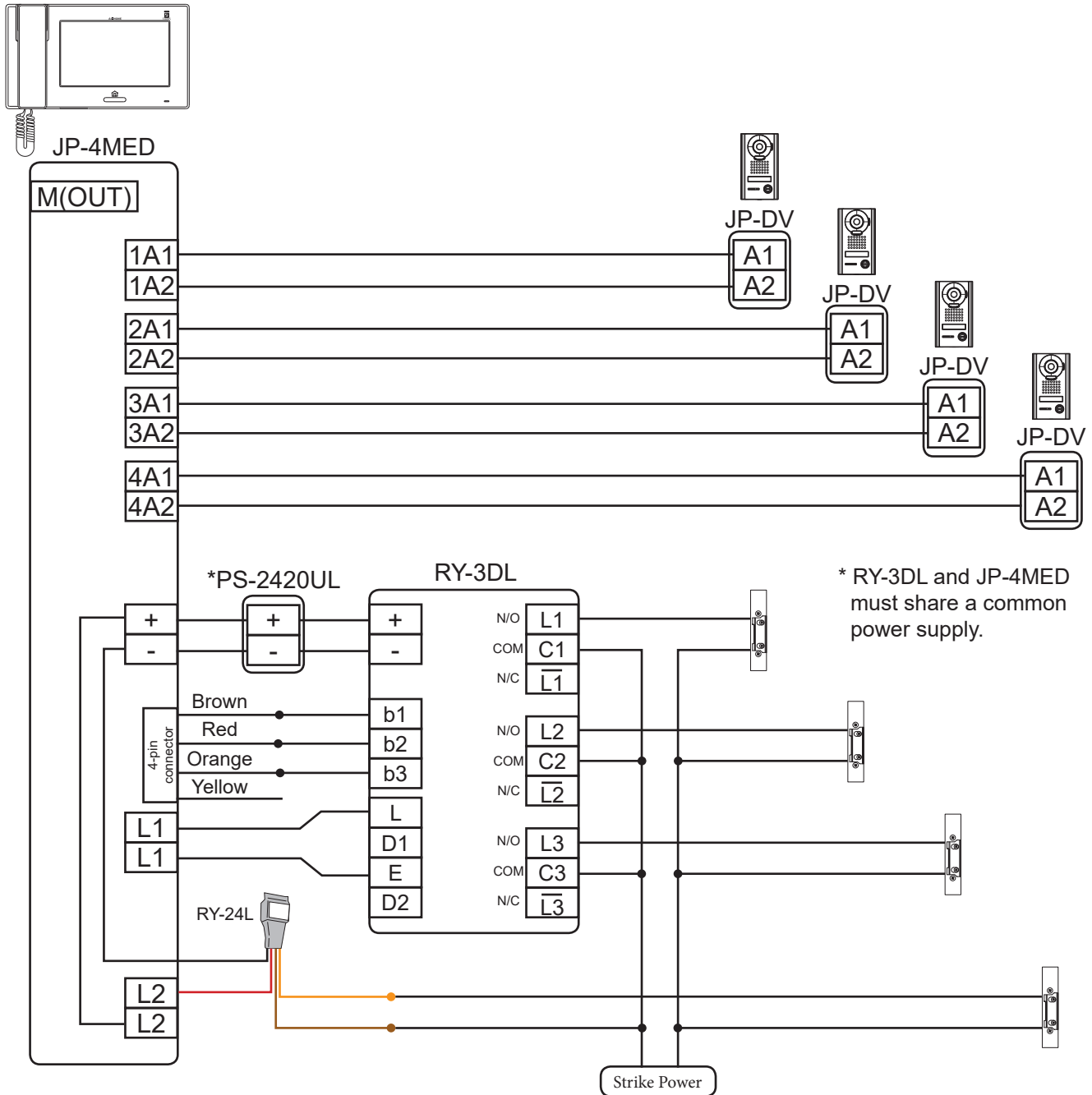


JP-4MED with RY-3DL

The JP-4MED can release up to 4 doors when using one RY-3DL and one RY-24L. The first 3 doors will be triggered by the RY-3DL using door release output 1. The 4th door will be triggered by the RY-24L using door release output 2.

Wiring



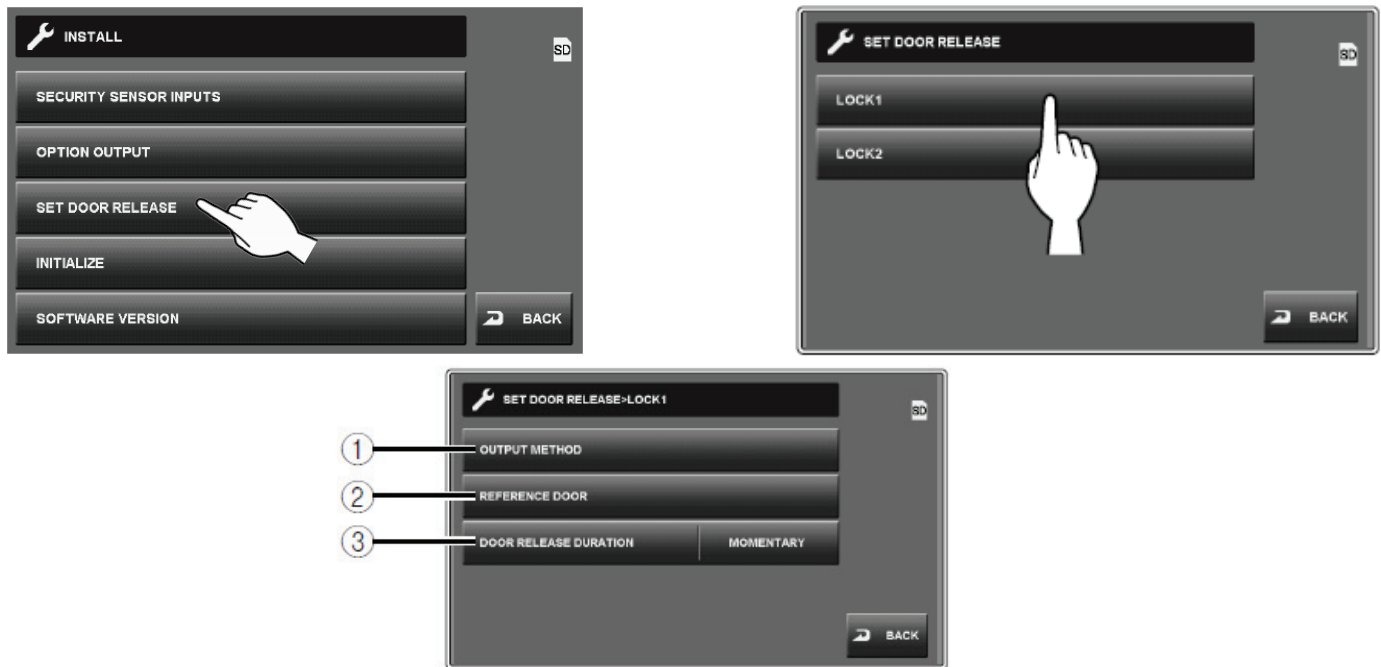
JP-4MED Setup

The door release buttons on the JP-4MED master will need to be programmed so that release button 1 will be selectable while doors 1, 2, and 3 are active and release button 2 will be selectable while door 4 is active.

Enter the Install Menu. Press and hold the **Home** button and then tap **SETTINGS**, then **INSTALL**. A warning message will show on the screen. Tap **ENTER** to enter the install menu.



From the Install Menu, tap **SET DOOR RELEASE**. Tap **LOCK1** to change the settings for relay 1.



- ① Tap **OUTPUT METHOD** and select if relay 1 will be a N/O or N/C contact.
Set to N/O when using the RY-3DL.
- ② Tap **REFERENCE DOOR** and choose to “Show” or “Hide” the door release 1 icon for each door station.
For the drawing on page 1, door release 1 icon should be shown for doors 1, 2, and 3 and hidden for door 4.
- ③ Tap **DOOR RELEASE DURATION** to set the door release time for contact L1. The default “momentary” setting will be used when connecting to the RY-3DL.

When done, tap the **BACK** button to return to the **SET DOOR RELEASE** page.

Repeat the process for **LOCK2**. When referencing doors, hide doors 1, 2, and 3 and show door 4 for door release icon 2.