

# Wiring PIRS

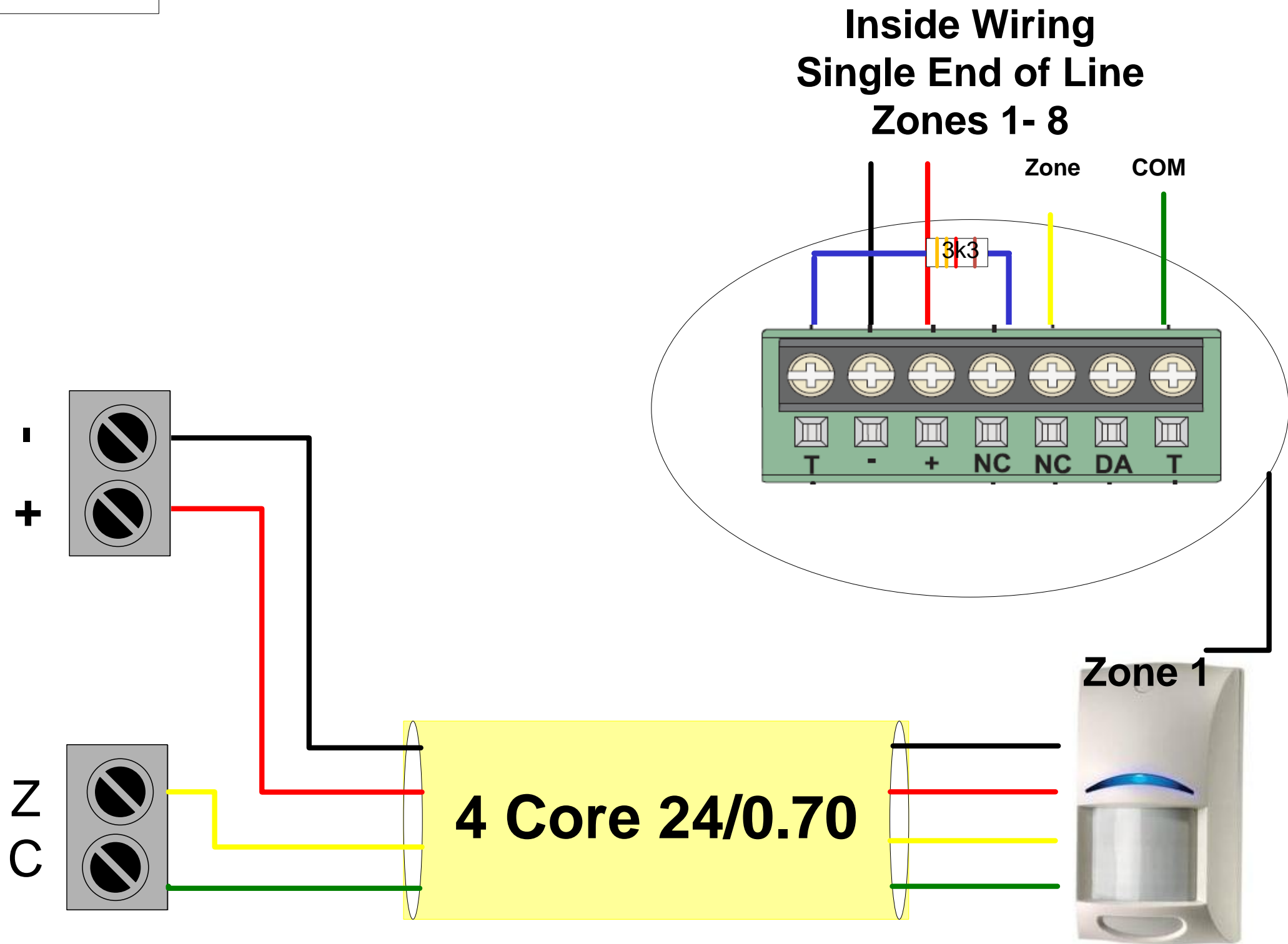
Wiring up Passive infra- red and other Detectors, always ensure polarity is correct on the power input prior to connecting to the panel.

Ensure that all end of lines are installed at the detection device.


Always wire the resistor across the one side of the tamper contact and between the normally closed.

The common wire will wire to the common input of the panel and the zone side of the alarm will wire to the other part of the tamper terminal.

The Power from the panel will give the electronics of the detection device the ability to open and close the contacts on the alarm input of the detection device. Depending on the state of the alarm will depend on whether it will go into alarm if tripped.



Invented for life  **BOSCH**

 <a href="http://www.ctccommunications.com.au">http://www.ctccommunications.com.au</a>	Contact	Drawing	Scale	Drawn	
	Phone: 1300552282 Fax: 0247255155	Wiring PIR Bosch	1:100	GH	
	Or 13000BOSCH	Project	Date	Drawing No.	Revisions
		Wiring PIRS	12/05/2009	BLP1	A
		Project No. 1200			