

# FUTURO IP

SECURITY INTERCOM



**2ND GENERATION**  
IP VIDEO INTERCOM SYSTEMS &  
IP OVER-2-WIRE VIDEO INTERCOM SYSTEMS

# SPECIAL FEATURES

## OF THE IP VIDEO INTERCOM SYSTEM



### **IP** VIDEO INTERCOM

#### EXCELLENT IMAGE QUALITY

- Fisheye camera, 2 MP, WDR, Night Vision

#### EASY CONTROLS & MULTIPLE APPLICATIONS

- Mobile control / Access control / Elevator control / Dual lock control
- Public password / Duress password / Message / Do not disturb / Custom ringtone / More

#### FLEXIBLE COMBINATIONS

- Expansion-ready with various modules
- Multiple installation frames

#### ELEGANT UTILITARIAN DESIGN

- Artistic industrial design
- Reddot Award winner (indoor station)
- Designed for accessibility

### **IP OVER-2-WIRE** VIDEO INTERCOM

#### EXCELLENT IMAGE QUALITY

- Fisheye camera, 2 MP, WDR, Night Vision

#### EASY CONTROLS & MULTIPLE APPLICATIONS

- Mobile control / Access control / Dual lock control
- Public password / Duress password / Message / Do not disturb / Custom ringtone

#### EASY INSTALLATIONS

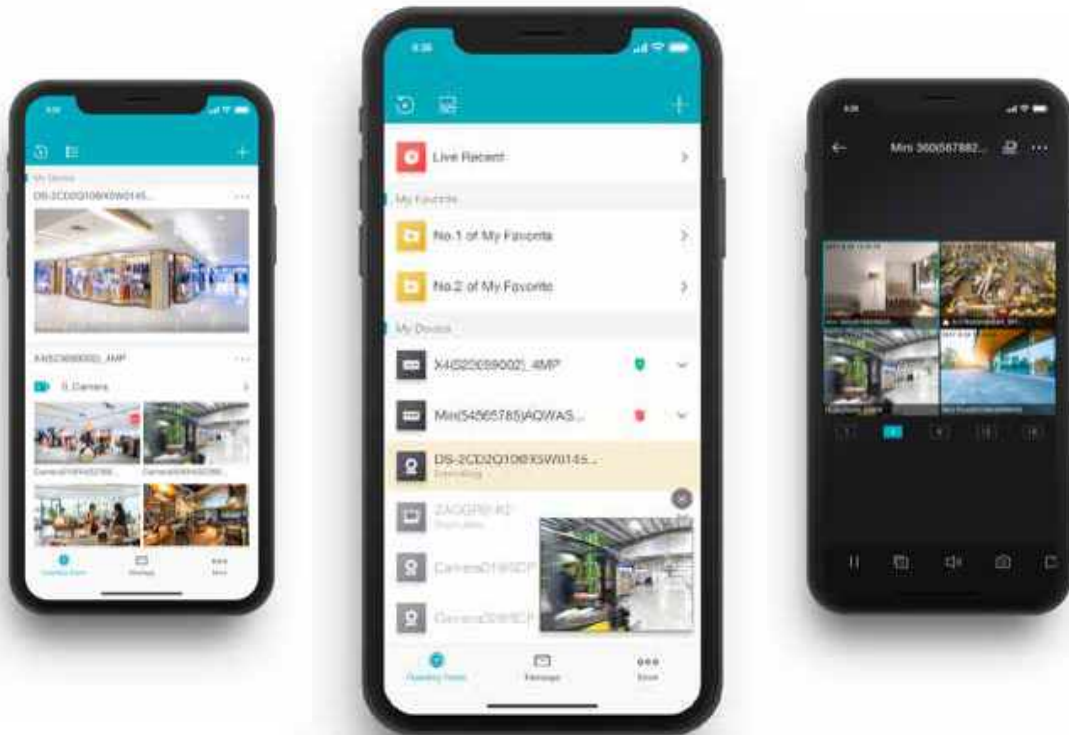
- Can work with existing wiring
- Long-distance transmission

#### USER FRIENDLY DESIGN

- Touch screen, call-log status, image capture
- Expansion-ready with various modules

# EASY MANAGEMENT

THROUGH A MOBILE APP OR SOFTWARE



## APPLICATIONS



### Guarding Vision

#### Key Benefits

- Control your door remotely with the use of the [Guarding Vision Mobile App](#)
- Check and play back video of visitors while away
- Maintain and adjust basic functions using the [Guarding Vision Mobile App](#)
- Share the account with family members

## CENTRAL MANAGEMENT SOFTWARE



### Guarding Vision

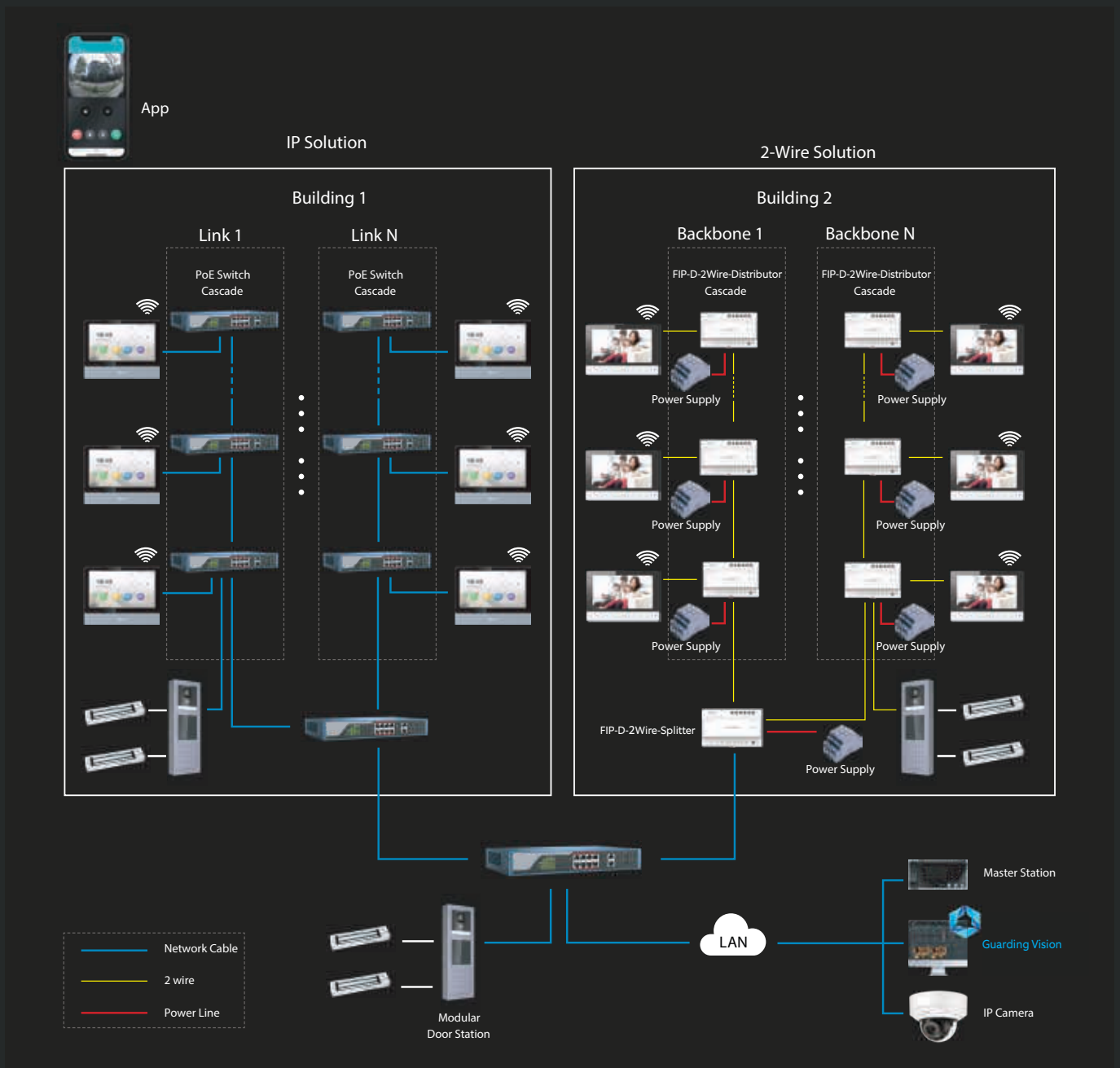
#### Key Benefits

- FREE application to manage all devices
- Modular System to select application features you need
- Community notifications to keep the tenants informed

# HIGH-RISE APARTMENT SOLUTION

## BASED ON SIMPLE & CONVENIENT DESIGN

**FUTURO IP** offers apartment solutions based on different technologies for various needs. For new apartments, IP solution based on standard PoE design is simple and convenient. For older buildings that lack proper network infrastructure, the 2-wire solution enables the re-usage of existing wiring. Multiple door stations can be installed for one building and residents can unlock them using card or password. Integration with an elevator control system makes the entire system even more secure. FUTURO IP Video Intercom Apartment Solution is a top choice for intercom and security system in buildings.





# MODULAR DOOR STATION

## FLEXIBLE EXPANSION CAPABILITIES

FUTURO IP's modular intercom products excel at convenient installation and flexible expansion capabilities. The complete package features a main module with several extension modules ranging from the traditional nametag and keypad module to card readers and display modules, providing an abundance of functionality to customers.



Standard PoE  
(IP Version)



2 MP Camera with 180° Wide  
Angle and WDR



Driveway and Door Access  
Control



2-wire Version



Backlight function



Bigger Nametag



Sleek Designs

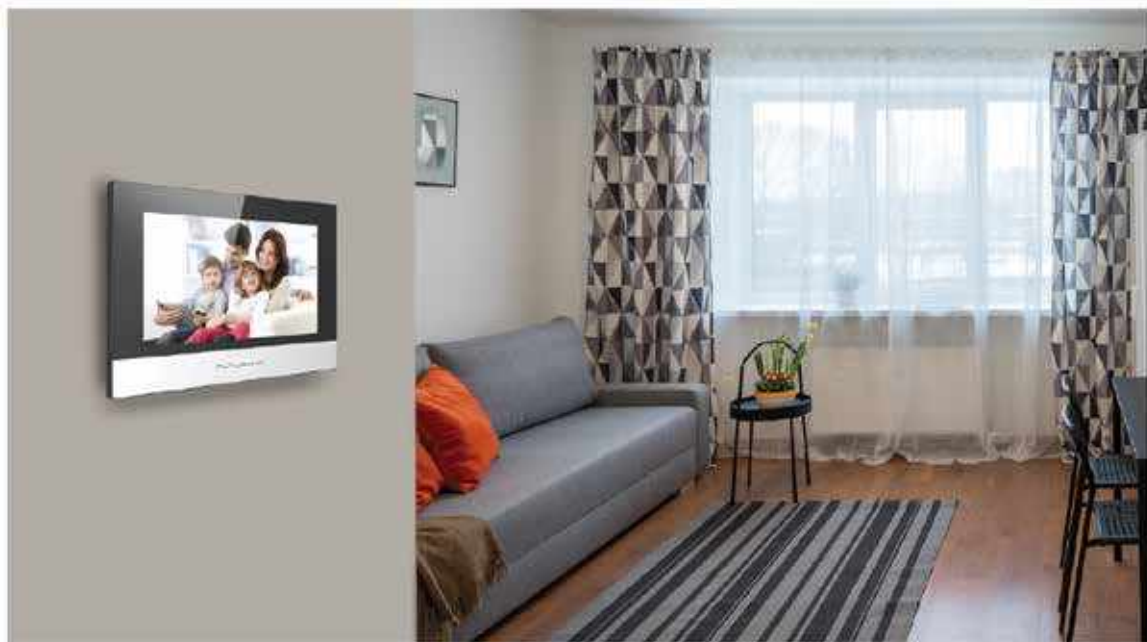


Extensive Modularity

# INDOOR STATION

## EXCELLENT INTERACTIVE EXPERIENCE

These indoor stations received great comments for their clean and simple designs and for an excellent interactive experience. The 7-inch Ultra Series Indoor Station won the Reddot Award in 2017. The indoor stations support standard PoE (IP Version), 2-wire technology, and wall-mounted installation. The wireless connectivity makes installation and configuration quick and easy.



2-wire Version



Standard PoE  
(IP Version)



Link with Alarm Sensors



32 GB SD Card



User-friendly Interface



Touch Screen  
with 1024 \* 600 Resolution

### IP INTERCOM SYSTEMS



**FIP-L-Camera-IP**

**IP MODULAR DOOR STATION - MAIN MODULE**

- 2MP Fish-eye Camera
- IR supplement
- IP65
- 12V DC or Standard PoE



**FIP-M-8WiFi-Black**

**7" TOUCH-SCREEN STANDARD POE INDOOR STATION**

- 7 inch Colourful TFT LCD
- Display resolution: 1024 x 600 pixels
- 10 / 100 Mbps Ethernet, Wi-Fi 802.11b/g/n
- Standard PoE (IEEE802.3af) / 12V DC
- TF card, max 32GB
- 8ch alarm input, 2 x alarm relays, 1 x 485



**FIP-M-8WiFi-White**

**7" TOUCH-SCREEN STANDARD POE INDOOR STATION**

- 7 inch Colourful TFT LCD
- Display resolution: 1024 x 600 pixels
- 10 / 100 Mbps Ethernet, Wi-Fi 802.11b/g/n
- Standard PoE (IEEE802.3af) / 12V DC
- TF card, max 32GB
- 8ch alarm input, 2 x alarm relays, 1 x 485

### IP OVER-2-WIRE INTERCOM SYSTEMS



**FIP-L-Camera-2Wire**

**2-WIRE MODULAR DOOR STATION - MAIN MODULE**

- 2MP HD Colourful Camera
- Fish eye (Horizontal: 180°, Vertical: 96°)
- IR Supplement
- Module connection with RS-485
- 4ch alarm input
- 2-Wire interface, IP65



**FIP-M-8WiFi-2Wire-Black**

**7" TOUCH-SCREEN 2-WIRE IP INDOOR STATION**

- 7 inch Colourful TFT LCD,
- Display resolution: 1024 x 600 pixels
- Wi-Fi Connection
- 2-Wire interface.
- TF card, max 32G
- 8ch Alarm input, 2x Alarm output



**FIP-M-8WiFi-2Wire-White**

**7" TOUCH-SCREEN 2-WIRE IP INDOOR STATION**

- 7 inch Colourful TFT LCD,
- Display resolution: 1024 x 600 pixels
- Wi-Fi Connection
- 2-Wire interface.
- TF card, max 32G
- 8ch Alarm input, 2x Alarm output



**FIP-D-2Wire-Splitter**

**AGGREGATION 2-WIRE IP SPLITTER**

- 6x 2-Wire cascade interfaces not including power supply
- 6x Interface indicators, 1x RJ-45 Interface, 1x Reset button
- Din rail mounting, 24VDC



**FIP-D-2Wire-Distributor**

**2-WIRE IP DISTRIBUTOR**

- 6x 2-Wire cascade interfaces including power supply
- 2x Cascade interfaces for FIP-D-2Wire-Distributor / FIP-D-2Wire-Splitter
- 8x Interface indicators, 1x RJ-45 Interface, 1x Reset button
- Din rail mounting, 24V DC



## MODULAR DOOR STATIONS



### FIP-L-Keypad

#### KEYPAD MODULE -IP65

- Supports unlocking the door via entering password
- Supports call the resident via entering room number
- Backlight function



### FIP-L-Blank

#### BLANK MODULE -IP65

- Aesthetically designed to integrate for a seamless look
- Designed to fill a blank grid during installation
- Easily replaced with other functional modules



### FIP-L-Reader-Mifare

#### CARD READER MODULE (MIFARE) -IP65

- Supports unlocking the door via swiping cards
- Supports issuing cards
- Backlight function



### FIP-L-Name

#### NAME-TAG MODULE -IP65

- 6x Call Buttons
- Dial the resident at one touch
- Backlight function



### FIP-L-Display

#### DISPLAY MODULE -IP65

- 3.5" LCD screen with resolution 320 x 480 pixels
- Unlocks door by PIN code with keypad module
- Dial numbers and call indoor station with keypad module
- Up to 500 contacts can be added to the device
- Backlight function



### FIP-L-Info

#### INFORMATION MODULE -IP65

- Indicates the device status: Calling/Opening Door
- Two-way audio
- Backlight function

## MISCELLANEOUS ITEMS



### FIP-G-Master

#### VIDEO INTERCOM MASTER STATION

- Supports video intercom
- Supports live view of door stations and IP camera
- Noise suppression and echo cancellation
- Alarm processing function
- Supports remote unlocking door function
- (Optional) Suitable for wall mounting



### FIP-L-Door-IP

#### IP RESIDENTIAL OUTDOOR STATION - IP65

- CMOS 2MP HD Colourful Camera
- 1-CH Indoor station access
- Standard PoE/ 12 VDC
- Mifare card reading module
- 10M/100M Self-adaptive Ethernet
- 4-ch alarm input, 1 relay for door lock control



### FIP-L-Door-WiFi-1B

#### SINGLE BUTTON VILLA DOOR STATION -IP65

- 2MP HD Camera
- Noise suppression & echo cancellation
- Standard PoE
- Tamper-proof
- 2.4GHz WiFi
- Impact Protection Rating: IK08



### FIP-C-Lift-Master

#### MASTER LIFT CONTROLLER (REQ SLAVE)

- Connects up to 2 Wiegand or RS-485 card readers
- Connects up to 3 groups. Each group connects up to 8 distributed controllers (FIP-C-Lift-Slave)
- 3 relay types: Button, Call Elevator & Auto Relay
- Up to 128 floor permissions can be controlled
- Can add 20,000 normal cards and save 50,000 events
- Watchdog and Tamper-proof function

[Download datasheet for more details](#)



### FIP-C-Lift-Slave

#### SLAVE LIFT CONTROLLER - 16 FLOORS

- RS-485 communication with the master controller
- Connects up to 16 relays - supports 3 relay types: Button Relay, Call Elevator Relay & Auto Button Relay
- DIP switch settings for device address and relay types
- Up to 8 distributed lift controllers can be linked to the master lift controller (FIP-C-Lift-Master)
- Master lift controller sends report to the system

[Download datasheet for more details](#)



### FIP-M-Table8

#### TABLE BRACKET

- Material: SUS430
- Table stand brackets for :
  - FIP-M-8WiFi-Black
  - FIP-M-8WiFi-White
  - FIP-M-8WiFi-2Wire-Black
  - FIP-M-8WiFi-2Wire-White
- Dimensions (LxHxD): 122mm x 86mm x 64mm
- Working Temperature: -10°C to +55°C (14°F to 131°F)

## MOUNTING ACCESSORIES



### FIP-L-Surface1

#### ONE-MODULE SURFACE MOUNT BRACKET

- Contains installation frame, cover, screws, lines, etc.
- Made from die-cast Aviation Aluminum
- Cover Dimensions: 117 x 107 x 4 mm
- Frame Dimensions: 117 x 107 x 32.7 mm
- Weight: 381g (in packaging), 220g (no packaging)



### FIP-L-Surface2

#### TWO-MODULE SURFACE MOUNT BRACKET

- Contains installation frame, cover, screws, lines, etc.
- Made from die-cast Aviation Aluminum
- Cover Dimensions: 219 x 107 x 4 mm
- Frame Dimensions: 219 x 107 x 32.7 mm
- Weight: 660g (in packaging), 420g (no packaging)



### FIP-L-Surface3

#### THREE-MODULE SURFACE MOUNT BRACKET

- Contains installation frame, cover, screws, lines, etc.
- Made from die-cast Aviation Aluminum
- Cover Dimensions: 320.8 x 107 x 4 mm
- Frame Dimensions: 320.8 x 107 x 32.7 mm
- Weight: 779g (in packaging), 500g (no packaging)



### FIP-L-Flush1

#### ONE-MODULE FLUSH MOUNT BRACKET

- Contains gang box, cover, screws, lines, etc.
- Cover Dimensions (LxWxD): 134 x 124 x 4 mm
- Gang Box Dimensions (LxWxD): 134 x 135 x 56 mm
- Weight: 366g (in packaging), 195g (no packaging)



### FIP-L-Flush2

#### TWO-MODULE FLUSH MOUNT BRACKET

- Contains gang box, cover, screws, lines, etc.
- Cover Dimensions (LxWxD): 236 x 124 x 4 mm
- Gang Box Dimensions (LxWxD): 237 x 134 x 56 mm
- Weight: 588g (in packaging), 290g (no packaging)



### FIP-L-Flush3

#### THREE-MODULE FLUSH MOUNT BRACKET

- Contains gang box, cover, screws, lines, etc.
- Cover Dimensions (LxWxD): 337.8 x 124 x 4 mm
- Gang Box Dimensions (LxWxD): 338.8 x 134 x 56 mm
- Weight: 784g (in packaging), 420g (no packaging)



### FIP-L-Hood1

#### SURFACE MOUNT SINGLE MODULE RAIN COVER

- Adapts to one-module (see modular door stations)
- Surface Mounted Protective Shield.
- Material: SECC
- Working temperature: -40°C to +60°C (-40°F to 140°F)
- Working humidity: 10% to 95%
- Dimension (LxWxD): 122 x 116.4 x 58 mm
- Weight: 298.9 g



### FIP-L-Hood2

#### SURFACE MOUNT TWO MODULE RAIN COVER

- Adapts to two-modules (see modular door stations)
- Surface Mounted Protective Shield.
- Material: SECC
- Working temperature: -40°C to +60°C (-40°F to 140°F)
- Working humidity: 10% to 95%
- Dimension (LxWxD): 224 x 116.4 x 58 mm
- Weight: 500g

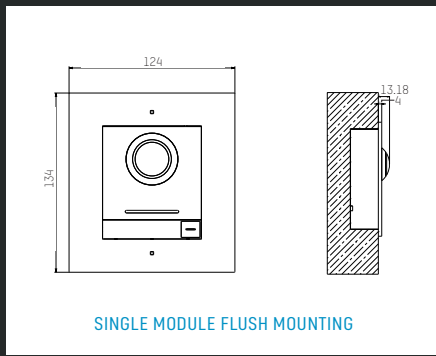


### FIP-L-Hood3

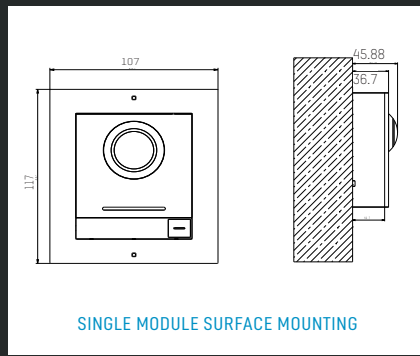
#### SURFACE MOUNT THREE MODULE RAIN COVER

- Adapts to three-modules (see modular door stations)
- Surface Mounted Protective Shield.
- Material: SECC
- Working temperature: -40°C to +60°C (-40°F to 140°F)
- Working humidity: 10% to 95%
- Dimension (LxWxD): 325.8 x 116.4 x 58 mm
- Weight: 702.3g

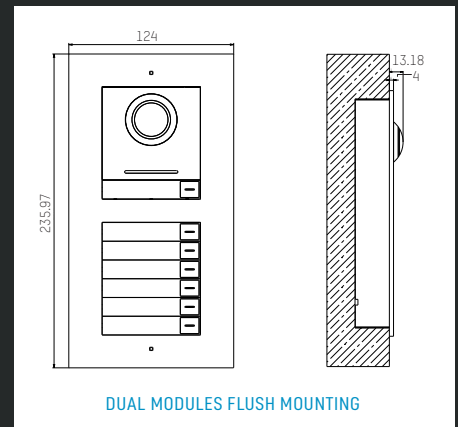
# DIMENSIONAL REFERENCE FOR INSTALLATION



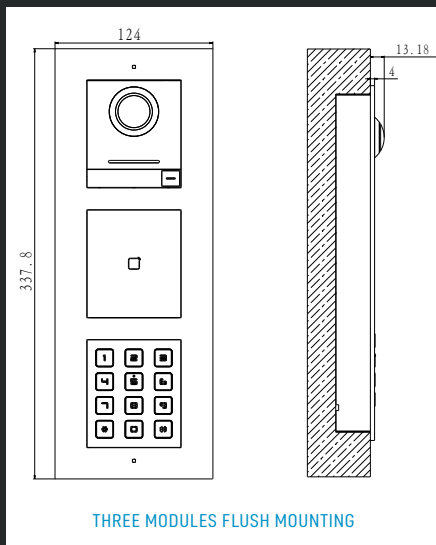
SINGLE MODULE FLUSH MOUNTING



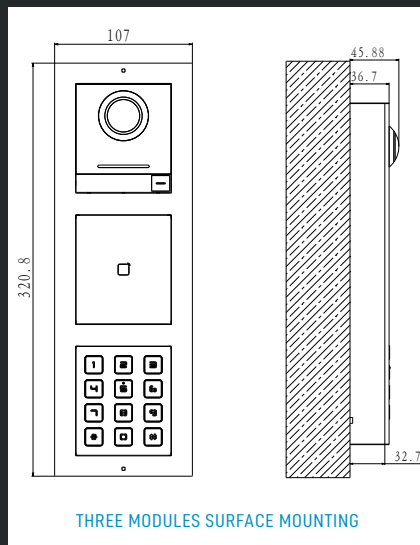
SINGLE MODULE SURFACE MOUNTING



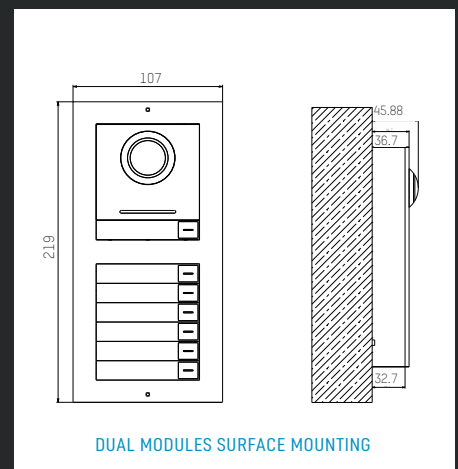
DUAL MODULES FLUSH MOUNTING



THREE MODULES FLUSH MOUNTING



THREE MODULES SURFACE MOUNTING



DUAL MODULES SURFACE MOUNTING

## TRANSMISSION DISTANCES

### POWER LINE CABLE DISTANCE

WHEN MODULAR DOOR STATION & INDOOR STATION ARE POWERED BY A STANDALONE POWER SUPPLY, THE POWER LINE CABLE DISTANCE IS:

Cable Specification	18 AWG (0.8 mm <sup>2</sup> )	20 AWG (0.5 mm <sup>2</sup> )	24 AWG (0.2 mm <sup>2</sup> )
FIP-M-8WiFi Indoor Stations	50m	30m	15m
1 Main Unit + 8 Extension Modules	35m	25m	8m

### TRANSMISSION DISTANCE

WHEN MODULAR DOOR STATION & INDOOR STATION ARE POWERED BY STANDARD PoE SWITCH, THE TRANSMISSION DISTANCE IS:

Cable Specification	CAT5e	CAT6
FIP-M-8WiFi Indoor Stations	100m	100m
1 Main Unit + 8 Extension Modules	80m	100m

### LONG TRANSMISSION DISTANCE

THE LONG TRANSMISSION DISTANCE IS:

Cable Specification	24 AWG (0.2 mm <sup>2</sup> )	20 AWG (0.5 mm <sup>2</sup> )	18 AWG (0.5 mm <sup>2</sup> )	24 AWG (0.2 mm <sup>2</sup> )
	TWISTED PAIR WIRE	TWISTED PAIR WIRE	TWISTED PAIR WIRE	& ABOVE PARALLEL WIRE
FIP-D-2Wire-D	≤ 60m	≤ 60m	≤ 60m	≤ 35m
FIP-D-2Wire-S	≤ 60m	≤ 60m	≤ 60m	≤ 35m
FIP-D-2Wire-D	≤ 35m	≤ 60m	≤ 60m	≤ 35m
FIP-L-Camera-2W	≤ 35m	≤ 60m	≤ 60m	≤ 35m

# FUTURO IP



**EOS AUSTRALIA**

[www.eos.com.au](http://www.eos.com.au)

**NSW**  
**02 9749 5888**  
[nsw@eos.com.au](mailto:nsw@eos.com.au)

**VIC**  
**03 9544 5633**  
[vic@eos.com.au](mailto:vic@eos.com.au)

**QLD**  
**07 3252 9272**  
[qld@eos.com.au](mailto:qld@eos.com.au)

**WA**  
**08 9249 5911**  
[wa@eos.com.au](mailto:wa@eos.com.au)

© 2020 EOS AUSTRALIA PTY LTD.

All rights reserved. Other trademarks and trade names may be used in this document to refer to either the entities claiming the marks and names or their products.  
EOS AUSTRALIA PTY LTD disclaims proprietary interest in the marks and names of others. This document is for informational purposes only.  
EOS AUSTRALIA PTY LTD reserves the right to make changes without further notice to any products herein. The content provided is as is and without express or implied warranties of any kind.