

The RFRC-STR-2 is the new receiver that replaces the RF3212E type receiver.

This receiver can be used on any panels that previously used the RF3212E.

1

- Using a small screwdriver turn to unlock and take receiver apart



2

You will see this terminal block:

- Wire from **R** to a +12v source at the panel
- Wire from **B** to a GND source at the panel
- Wire from **Y** to the IN or DATA connections at the panel
- G** is NOT USED



4

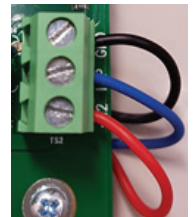
- For the receiver to be correctly recognised by the panel it must be set to **3**



3

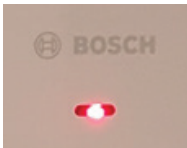
At the panel:

- Solution 6000/64/16 Plus/16 ICON use **IN connection**
- Solution Ultima CC486/CC488/ICP-CC488 use **12V/GND and I/P connections**
- In the system programming you need to enable the receiver as you did for the RF3212E



5

- If correctly wired and configured the receiver **LED** will become **SOLID ON**.



6

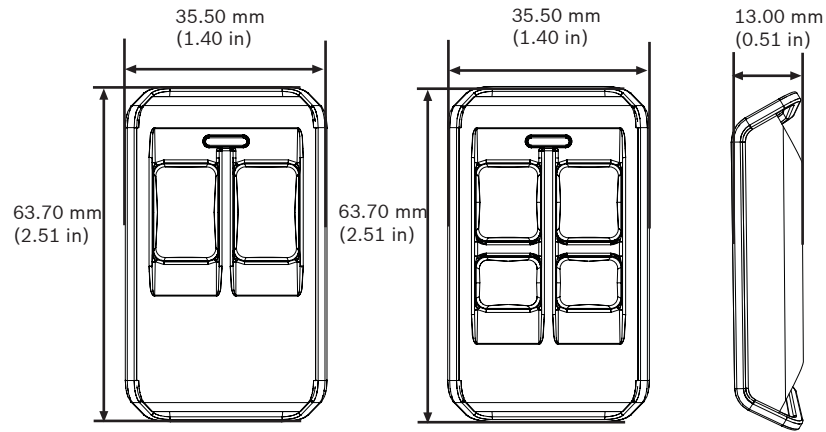
- Your system is now ready to learn in PIRs, reeds, or keyfobs as before.

RADION keyfob

RFKF-FB/RFKF-TB
RFKF-FB-A/RFKF-TB-A



Installation Guide



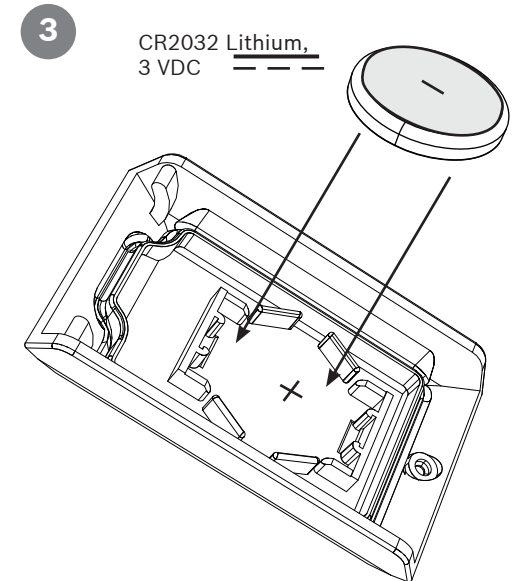
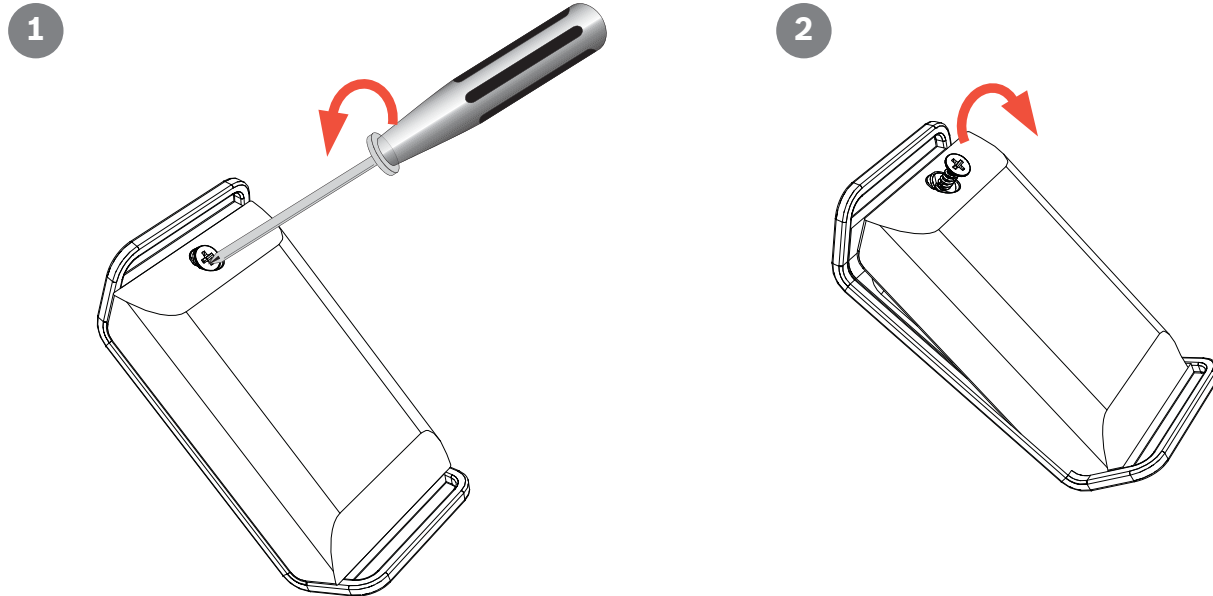
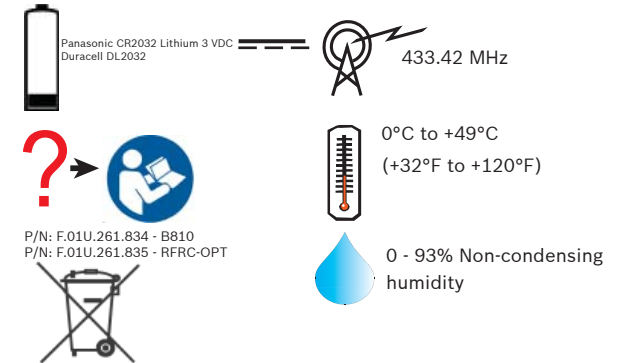
UL - only model RFKF-TB-A is evaluated by UL. RFKF-TB-A is intended for indoor use only.

UL1023: Standard for Household Burglar Alarm System Units

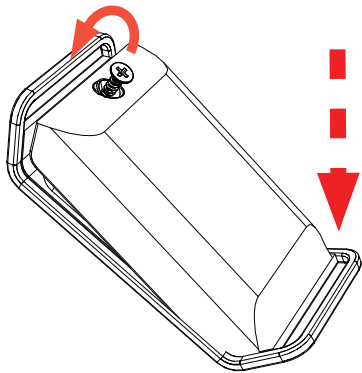
Classified to ANSI/SIA CP01-2010 as it pertains to B5512 and GV4 Series control panels. See respective control panel documentation for further information.

FCC, Part 15

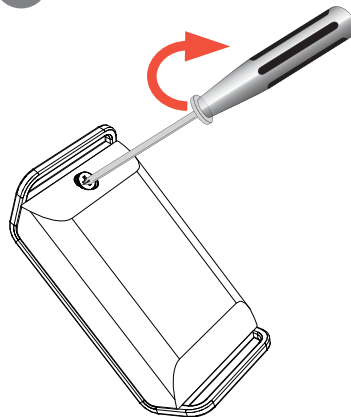
Industry Canada (IC)



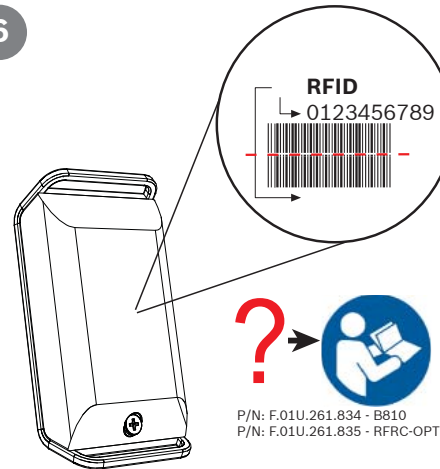
4



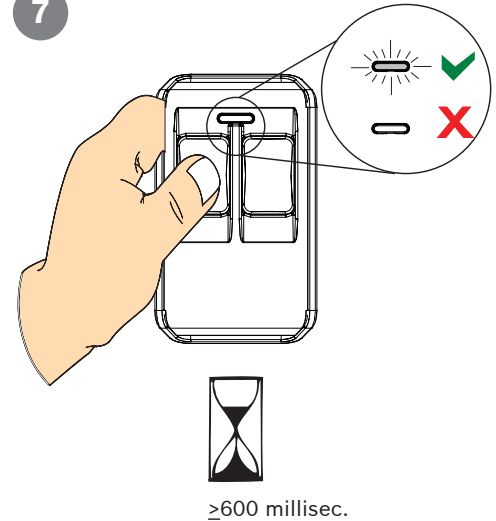
5



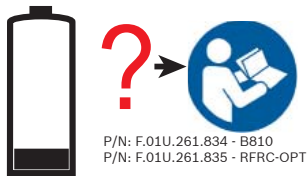
6



7



8



English
Hereby, Bosch Security Systems, declares that this intrusion detector is in compliance with the essential requirements and other relevant provisions of Directive 1999/5/EC.

Finnish
Bosch Security Systems vakuuttaa täten että rikosilmoitin tyyppinen laite on direktiivin 1999/5/EY oleellisten vaatimusten ja sitä koskevien direktiivin muiden ehtojen mukainen.

Dutch
Hierbij verklaart Bosch Security Systems dat het toestel inbraakdetector in overeenstemming is met de essentiële eisen en de andere relevante bepalingen van richtlijn 1999/5/EG. Bij deze verklaart Bosch Security Systems dat deze inbraakdetector voldoet aan de essentiële eisen en aan de overige relevante bepalingen van Richtlijn 1999/5/EC.

French
Par la présente Bosch Security Systems déclare que l'appareil détecteur d'intrusion est conforme aux exigences essentielles et aux autres dispositions pertinentes de la directive 1999/5/CE. Par la présente, Bosch Security Systems déclare que ce détecteur d'intrusion est conforme aux exigences essentielles et aux autres dispositions de la directive 1999/5/CE qui lui sont applicables.

Swedish
Härmed intygar Bosch Säkerhetssystem att denna inbrottsdetektor står i överensstämmelse med de väsentliga egenskapskrav och övriga relevanta bestämmelser som framgår av direktiv 1999/5/EG.

Danish
Undertegnede Bosch sikkerhedssystemer erklærer herved, at følgende udstyr Indbrudsdetektor overholder de væsentlige krav og øvrige relevante krav i direktiv 1999/5/EF.

German
Hiermit erklärt Bosch Sicherheitssysteme, dass sich dieser/ diese/dieses Einbruchmelder in Übereinstimmung mit den grundlegenden Anforderungen und den anderen relevanten Vorschriften der Richtlinie 1999/5/EG befindet*. (BMWV). Hiermit erklärt Bosch Sicherheitssysteme die Übereinstimmung des Gerätes Einbruchmelder mit den grundlegenden Anforderungen und den anderen relevanten Festlegungen der Richtlinie 1999/5/EG. (Wien).

Greek
ΜΕ ΤΗΝ ΠΑΡΟΥΣΑ Συστήματα ασφαλείας Bosch ΔΗΛΩΝΕΙ ΟΤΙ Αντικειμενικά εμβολής ΣΥΜΜΟΡΦΩΝΕΤΑΙ ΠΡΟΣ ΤΙΣ ΟΥΣΙΩΔΕΙΣ ΑΠΑΙΤΗΣΕΙΣ ΚΑΙ ΤΙΣ ΛΟΙΠΕΣ ΣΧΕΤΙΚΕΣ ΔΙΑΤΑΞΕΙΣ ΤΗΣ ΟΔΗΓΙΑΣ 1999/5/ΕΚ.

Italian
Con la presente Bosch Security Systems dichiara che questo rilevatore antintrusione è conforme ai requisiti essenziali ed alle altre disposizioni pertinenti stabilite dalla direttiva 1999/5/CE.

Spanish
Por medio de la presente Bosch Security Systems declara que el detector de intrusión cumple con los requisitos esenciales y cualesquiera otras disposiciones aplicables o exigibles de la Directiva 1999/5/CE.

Portuguese
Bosch Security Systems declara que este detector de intrusão está conforme com os requisitos essenciais e outras disposições da Directiva 1999/5/CE.

Copyright
This document is the intellectual property of Bosch Security Systems, Inc. and is protected by copyright. All rights reserved.

Trademarks
All hardware and software product names used in this document are likely to be registered trademarks and must be treated accordingly.

Determine Bosch Security Systems, Inc. Product Manufacturing Dates
Use the serial number located on the product label and refer to the Bosch Security Systems, Inc web site at: <http://www.boschsecurity.com/datecodes/>

