

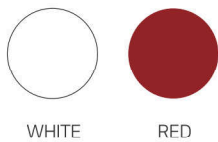
2 WIRE NON-POLARITY VIDEOPHONE MONITOR

KCV-352·D352

- 3.5" Color digital LCD monitor
- Easy to operate using OSD menu and icon button
- Communication between Door camera and Multi entry video panel
- Connection up to 1 Door camera and 2 Monitors



COLOR



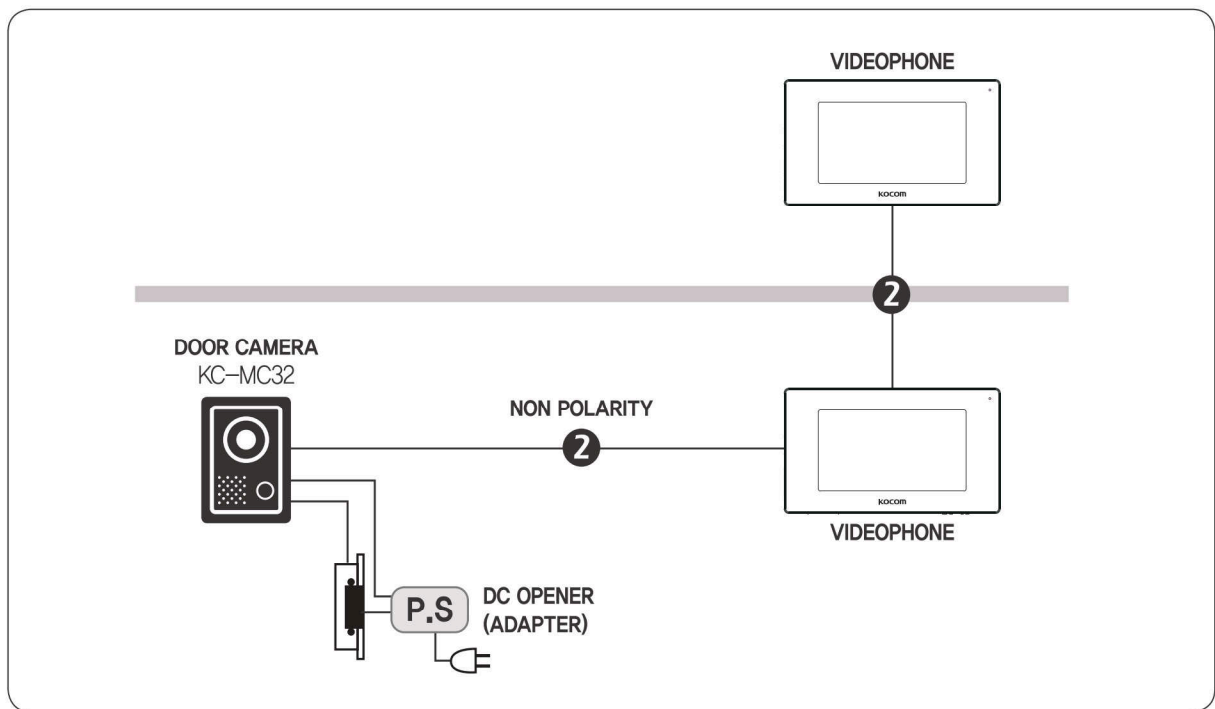
WHITE

RED

SPECIFICATIONS

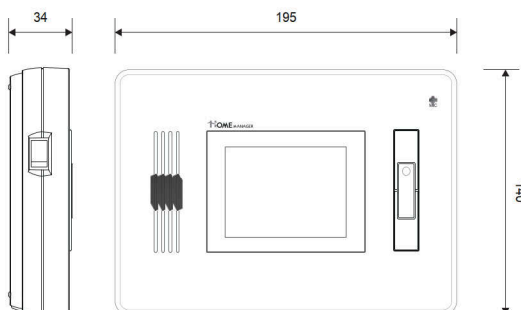
Model No.	KCV-352	KCV-D352
Power Source	AC 127V 60HZ	DC 12V±3V
Power Consumption	0.7W(Stand by), 10.5W(In load)	0.7W(Stand by), 10.5W(In load)
LCD	3.5" Digital LCD (NTSC / PAL Auto switching)	
Communication System	Hands-free Type	
Operating Temperature	0°C ~ +40°C	
Mount Type	Surface mount	
Dimesion	195(W) x 140(H) x 34(D) mm	

WIRING DIAGRAM



PRODUCT DIMENSION

(Unit: mm)



CONNECTABLE PRODUCT



DOOR CAMERA
KC-MC32



DOOR CAMERA
KC-MC22



DOOR CAMERA
KC-MC11



DOOR CAMERA
KC-C62



MULTI PANEL
KVL-C20X