



New Cost-Effective Form Factor Cameras

# New IDIS Lite Series

Made in KOREA | NDAA Compliant



Introducing the new IDIS Lite Protocol that extends ONVIF compatibility and cameras which benefit from an aluminum body, vandal proof glass, and a patented design that eliminates IR reflection without a bubble

- Essential and easy-to-use features
- Ideal for small to medium applications
- Robust, vandal resistant, and weatherproof
- Made in South Korea with the assurance of NDAA compliance
- Compatible with IDIS NVRs and IDIS Solution Suite VMS



# IDIS Lite Series

Packed with essential, easy-to-use, and high-performance features, the IDIS Lite Series features 4-64 channel network recorders and a choice of network cameras. The IDIS Lite Protocol provides high-resolution image quality using SONY Starvis sensors and seamless streaming technology for real-time surveillance and recording.



## IDIS Lite Protocol



**DC-D2511WER**

H.265, 2.8mm, TWDR, IR 20m, IP67, IK10



**DC-D2531WER**

H.265, 2.7-13.5mm MFZ, TWDR, IR 30m, IP67, IK10

## Essential and Easy-To-Use Features



IDIS Lite Protocol



Click-and-Play



Aluminum Alloy Body (Dome)



Alarm, Audio In/Out (MFZ)



Reliability with SD Card



NDAA-Compliant Made in South Korea

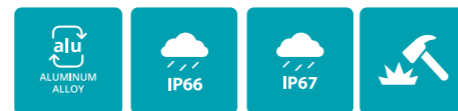
## New IDIS Lite Protocol enhances compatibility with IDIS's recording solutions

**IDIS Lite Protocol**

Using IDIS NVRs, customers can benefit from fast and cost-effective installation and an optimized user-friendly interface. The IDIS Lite Protocol enables easy and rapid installation for installers, and benefits end users with the rich connectivity of IDIS products. This affordable IDIS offering uses an innovative approach to surveillance – one that is truly click-and-play, single-source, and extends ONVIF compatibility - comprising a robust and high-performance range of cameras with associated brackets and NVRs.



## Robust aluminum alloy body, vandal resistant, and weatherproof



The IDIS Lite Camera series consists of an aluminum alloy body, vandal proof glass including dome cameras that benefit from a patented design that eliminates IR reflection without bubbles. Certified for the highest levels of durability, the IDIS Lite dome cameras provide reliable surveillance even in the harshest environments.



## Powerful IR illumination provides night visibility



IR illumination is automatically focused to ensure the field of view is consistently illuminated, ensuring a clear view of up to 20-30 meters. IDIS Lite Cameras use SONY Starvis CMOS image sensors to ensure clarity at night and deliver crisp Full-HD resolution even in complete darkness.



## High-Definition H.265 Images

High resolution quality is guaranteed to cover large areas in detail. A 12 or 5 megapixel image sensor enables clear identification right from center to edge of every scene to ensure crisp and clear image capture.

## Korean-Made Video Tech That Users Can Trust



IDIS Lite Series of click-and-play video surveillance products come with the assurance of Korean-made high-performance and robust technology that is NDAA-compliant.



## Rapid installation in varied environments

The IDIS Lite Camera Series has a 3-axis design allowing for easy pan, tilt, and horizontal adjustment in various locations and environments including wall mounting. With the aluminum alloy body, vandal proof glass form factor, and a choice of mounts, brackets and junction boxes, the cameras are ideal for wide-area and high-definition coverage in a range of small to medium sized applications.



Wall Mount Bracket  
DA-WM2500



Junction Box  
DA-JB2500

## New 5MP IR Turret Network Camera

# DC-D2511WER

- 1/2.8" SONY IMX 335 Starvis CMOS Sensor
- 5MP Resolution
- Triple Streaming
- Fixed lens : 2.8mm (F=1.6)
- Non-reflection Structure
- Heat-radiation Structure
- 2 High Power LED
- Micro SDHC/SDXC Support
- H.265(Main profile), H.264 (High, MainBase line profile), MJPEG
- POE (IEEE 802.3af)
- ONVIF Support

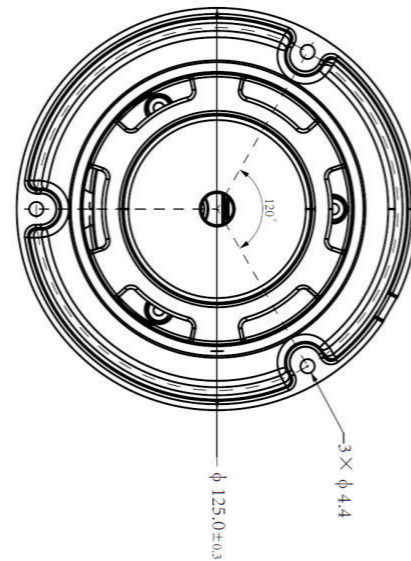
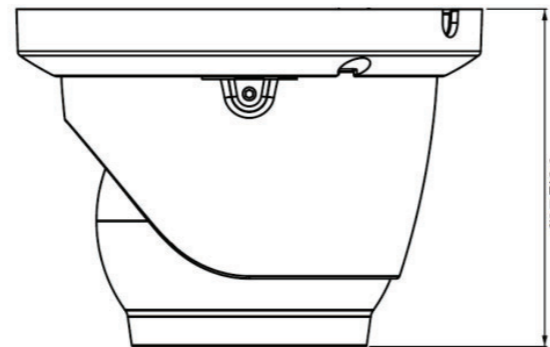


### SPECIFICATIONS

VIDEO	
Image Sensor	1/2.8" SONY IMX 335 Starvis CMOS Sensor
Total Number of Pixels	2704 x 2104
Scanning Mode	Progressive Scan
Lens Type	Fixed Lens
Focal Length	f=2.8mm
F No.	F=1.6
Iris Control	Fixed
Field of View	127.9°(D), 106.9°(H), 56.9°(V)
Shutter Speed Control	Min. 1/100,000 sec ~ Max. 1/2 sec
Day and Night Mode	Auto/Day(Color)/Night(BW)/External
Infrared Distance	20m
Auto White Balance Mode	Automatic, Manual
Noise Reduction	2DNR/3DNR
Backlight Correction	WDR
NETWORK	
Video Compression	H.265 Main profile, H.264 (High, Main, Base line profile), MJPEG
SDK Support	API, ONVIF Profile S/T Compliant
Video Frame Rate	Up to 30fps@2192 x 1944p
Video Resolution	2592 x 1944, 2560 x 1920, 2048 x 1536, 1920 x 1440, 1600 x 1200, 1280 x 960, 640 x 480, 480 x 360
Video Streaming (3 Streaming)	Simultaneously H.265 and MJPEG (Multi Streaming) or Simultaneously H.264 and MJPEG (Multi Streaming) Independent Frame Rate and Bandwidth Control, VBR/CBR Mode
Protocols	TCP/IP, UDP, IPv4/v6, HTTP, HTTPS, FTP, UPnP, RTP, RTSP, RTCP, DHCP, ARP, Zeroconf
Security	Multi User Authority, IP Filtering, HTTPS
Ethernet	RJ45 (10/100BASE-T)
Edge Storage	Micro SDHC/SDXC
Alarm/Event	
Event In	On boot/Trigger/Network Loss/Tampering/Motion
Event Out Notification	E-mail, FTP
Audio	-
Alarm Control	-
General	
Vandal Proof Casing	IK10
Outdoor Ready	IP67
Operation Temperature	-10°C ~ +50°C
Operation Humidity	0% ~ 95%
ELECTRICAL	
Power Source	DC 12V, PoE (IEEE 802.3af Class 2)
Power Consumption	3.82W
Approval	KC, CE, FCC
Mechanical	
Dimension	Ø125.0 x 90.2 (H)mm

### DIMENSIONS

(Unit - mm)



## New 5MP IR Turret Network Camera

# DC-D2531WER

- 1/2.8" SONY IMX 335 Starvis CMOS Sensor
- 5MP Resolution
- Triple Streaming
- Lens: 2.7-13.5mm MFZ Lens(F=1.6-3.3±10%)
- Non-reflection Structure
- Heat-radiation Structure
- 2 High Power LED
- H.265(Main profile), H.264 (High, MainBase line profile), MJPEG
- Alarm In/Out Support
- Audio In/Out Support
- Micro SDHC/SDXC Support
- POE (IEEE 802.3af)
- ONVIF Support

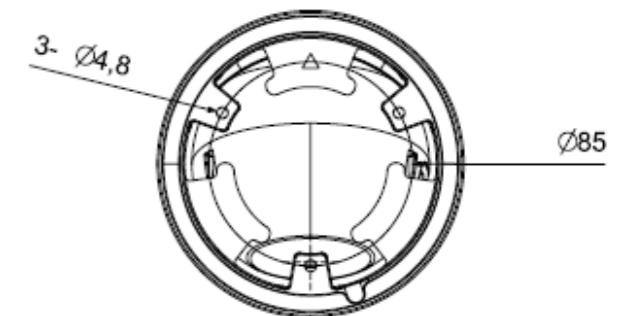
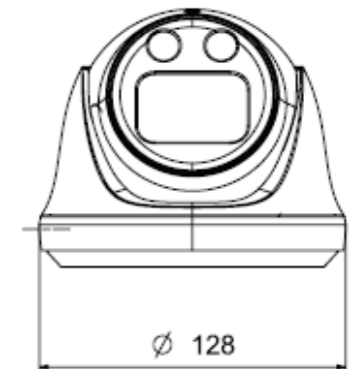
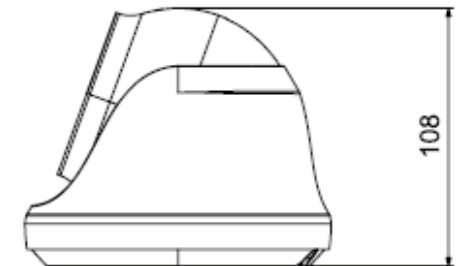


### SPECIFICATIONS

VIDEO	
Image Sensor	1/2.8" SONY IMX 335 Starvis CMOS Sensor
Total Number of Pixels	2704 x 2104
Scanning Mode	Progressive Scan
Lens Type	MFZ Lens
Focal Length	f=2.7-13.5mm
F No.	F=1.6-3.3±10%
Iris Control	Fixed
Field of View	130.9°(D), 108.1°(H), 56.3°(V)
Shutter Speed Control	Min. 1/100,000 sec ~ Max. 1/2 sec
Day and Night Mode	Auto / Day(Color) / Night(BW) / External
Infrared Distance	25m
Auto White Balance Mode	Automatic, Manual
Noise Reduction	2DNR/3DNR
Backlight Correction	WDR
NETWORK	
Video Compression	H.265 Main profile, H.264 (High, Main, Base line profile), MJPEG
SDK Support	API, ONVIF Profile S/T Compliant
Video Frame Rate	Up to 30fps@2592 x 1944p
Video Resolution	2592 x 1944, 2560 x 1920, 2048 x 1536, 1920 x 1440, 1600 x 1200, 1280 x 960, 640 x 480, 480 x 360
Video Streaming (3 Streaming)	Simultaneously H.265 and MJPEG (Multi Streaming) or Simultaneously H.264 and MJPEG (Multi Streaming) Independent Frame Rate and Bandwidth Control, VBR/CBR Mode
Protocols	TCP/IP, UDP, IPv4/v6, HTTP, HTTPS, FTP, UPnP, RTP, RTSP, RTCP, DHCP, ARP, Zeroconf
Security	Multi User Authority, IP Filtering, HTTPS
Ethernet	RJ45 (10/100BASE-T)
Edge Storage	Micro SDHC/SDXC
Alarm/Event	
Event In	Onboot/Trigger/Network Loss/Tampering/Motion
Event Out Notification	E-mail, FTP
Audio	Line-In / Line-Out
Alarm Control	Alarm-In 1 / Alarm-Out 1
General	
Vandal Proof Casing	IK10
Outdoor Ready	IP67
Operation Temperature	-10°C ~ +60°C
Operation Humidity	0% ~ 95%
ELECTRICAL	
Power Source	DC 12V, PoE (IEEE 802.3af Class 2)
Power Consumption	6.1W
Approval	KC, CE, FCC
Mechanical	
Dimension	Ø128 x 108 (H)mm

### DIMENSIONS

(Unit - mm)





## New Cost-Effective Form Factor Cameras

# New IDIS Lite Series



IDIS Lite  
Protocol



### IDIS HQ

IDIS Tower, 344 Pangyo-ro  
Bundang-gu, Seongnam-si  
Gyeonggi-do, 13493  
Republic of Korea

T +82 (0)31 723 5400  
F +82 (0)31 723 5100  
E sales@idisglobal.com

### IDIS America

801 Hammond Street  
Suite 200  
Coppell, TX 75019  
U.S.A.

T +1 469 444 6538  
F +1 469 464 4449  
E sales\_america@idisglobal.com

### IDIS Europe

1000 Great West Road  
Brentford, Middlesex  
TW8 9HH  
United Kingdom

T +44 (0)203 657 5678  
F +44 (0)203 697 9360  
E uksales@idisglobal.com

### IDIS Middle East

P.O. Box 341037  
D-308, DSO HQ Bldg  
Dubai Silicon Oasis  
Dubai, U.A.E.

T +971 4 501 5434  
F +971 4 501 5436  
E sales\_mena@idisglobal.com

### Türkiye Liaison Office

T +90 533 696 7780  
E sales\_mena@idisglobal.com

### IDIS Netherlands

De Slof 9  
5107 RH  
Dongen  
The Netherlands

EU Distribution Center  
T +31 (0)162 387 217  
E sales\_eu@idisglobal.com

### IDIS Benelux

T +31 (0)162 387 247  
F +31 (0)162 311 915  
E sales@bnl.idisglobal.com

### TRUNG LOI CO., LTD.

638/10 Le Hong Phong, Ward 10  
Dist.10, Ho Chi Minh City, Vietnam

T 84 90 840 9463  
E quocanh@trungloi.com

IDIS and identifying product names and numbers herein are registered trademarks of IDIS Co., Ltd. All non-IDIS brands and product names are trademarks or registered trademarks of their respective companies. Product appearance, build status, and/or specifications are subject to change without notice. Copyright © IDIS Co., Ltd. All rights reserved.

\* Product specifications in this brochure can change. Please confirm details on our website.