

S7 Series IP Dome camera



OVERVIEW

The TruVision Series 7 IP outdoor dome cameras with smart event capabilities available in 4, 8 and 12MP resolution deliver high-quality images thanks to their extreme low light sensitivity and enhanced image processing. The rich set of features make these cameras the ideal choice for demanding security, surveillance and monitoring applications.

The cameras support up to 10 configurable video streams which allow users to optimize the camera's remote live view capabilities while controlling the bandwidth usage. The motorized varifocal lens with P-iris technology allows users to remotely adjust the zoom level and focus to get crisp images anytime anywhere. In addition to the compatibility with other TruVision products and 3rd party VMS software, the cameras also support NAS recording or local MicroSD card recording to protect data in the event of network disruptions.

The enhanced embedded video intelligence capabilities go above and beyond standard event detection allowing operators to receive realtime event notifications and reduce the time needed for post-incident investigation.

DETAILS

- Resolution options 4, 8, 12MPx
- H.265, H.264 and MJPEG compression
- 10 independent configurable video streams
- Motorized zoom 2.8 to 12 mm and 8 to 32 mm options
- P-iris lens
- ONVIF Profiles S, G and T
- Rich video intelligence (VCA)
- Up to 100 m IR illumination
- Up to 140 dB Wide Dynamic Range
- Edge recording up to 256 GB with optional SD card

Technical Specifications

	TVD-5717	TVD-5718	TVD-5719	TVD-5720	TVD-5721	
General	Technology	IP				
	Video standard	PAL				
	Image settings	De-Fog, Electronic Image Stabilization, Hallway View, Mirror				
	Privacy masking	8 zones				
	Video output	BNC (for installation only)				
	Software compatibility	Milestone XProtect, OnGuard, TruVision Navigator, TVRmobile, Web Browser				
Camera	Sensor size	1/1.8"			1/1.7"	
	Max. resolution	4 MP	8 MP (4K)		12 MP	
	Sensor scan	Progressive				
	Sensor type	CMOS				
	Shutter time	1 to 1/100,000 s				
Lighting performance	WDR type	True WDR			Digital WDR	
	WDR	140 dB	120 dB		DWDR	
	Digital noise reduction	3D DNR				
	Day/night	True Day/Night				
	Motorized IR cut filter	Yes				
	Color sensitivity	Color: 0.002 Lux @ (F1.2, AGC ON), 0.005 Lux @ (F1.8, AGC ON), 0 Lux with IR		Color: 0.007 Lux @ (F1.2, AGC ON), 0.016 Lux @ (F1.8, AGC ON), 0 Lux with IR		Color: 0.008 Lux @ (F1.2, AGC ON), 0 Lux with IR
	B/W trigger	Auto/Schedule/Triggered by alarm in				
	Infrared (IR)	Yes				
	IR range	Up to 30 m	Up to 50 m	Up to 30 m	up to 50 m	Up to 30 m
Encoding	Video streams	10				
	Main stream compression	H.264, H.265				
	Sub stream compression	H.264, H.265, MJPEG				
	Third stream compression	H.264, H.265, MJPEG				
	Video bit rate	32 to 16 Mbps				
	Main stream resolutions	1280 x 720 (XVGA), 1600 x 1200 (UXGA), 1920 x 1080 (1080p), 2560 x 1440				
	Sub stream resolutions	640 x 480 (VGA), 704 x 576 (4CIF)				
	Third stream resolutions	1280 x 720 (XVGA), 1280 x 960 (720p), 1920 x 1080 (1080p), 640 x 480 (VGA), 704 x 576 (4CIF)				
	Max. resolution @ fps	2560 x 1440 @ 25/30 fps		3840 x 2160 @ 25/30 fps		4000 x 3000 @ 20 fps
	4th to 10th stream compression	H.265, H.264, MJPEG				
	4th stream resolutions	1920 x 1080 (1080p), 1280 x 720 (XVGA), 704 x 576 (4CIF), 640 x 480 (VGA)				
	5th stream resolutions	704 x 576 (4CIF), 640 x 480 (VGA)				
6th to 10th stream resolutions	1920 x 1080 (1080p), 1280 x 720 (XVGA), 704 x 576 (4CIF), 640 x 480 (VGA)					
Lens	Lens type	Varifocal motorized				
	Focal length	2.8 to 12 mm, Horizontal FoV 109.2° to 38.9°, Vertical FoV 56.2° to 21.9°, Diagonal FoV 134.5° to 45°	8 to 32 mm, Horizontal FoV 39° to 15.6°, Vertical FoV 21.8° to 8.9°, Diagonal FoV 45° to 17.8°	2.8 to 12 mm, Horizontal FoV 112.4° to 41°, Vertical FoV 58° to 23°, Diagonal FoV 137° to 47°	8 to 32mm, Horizontal FoV 39° to 15.6°, Vertical FoV 21.8° to 8.9°, Diagonal FoV 45° to 17.8°	2.8 to 12 mm, Horizontal FoV 101° to 36.1°, Vertical FoV 72° to 27.2°, Diagonal FoV 130° to 45.2°
	Auto iris	Yes				
	Auto focus	Yes				
	Motorized zoom	Yes				

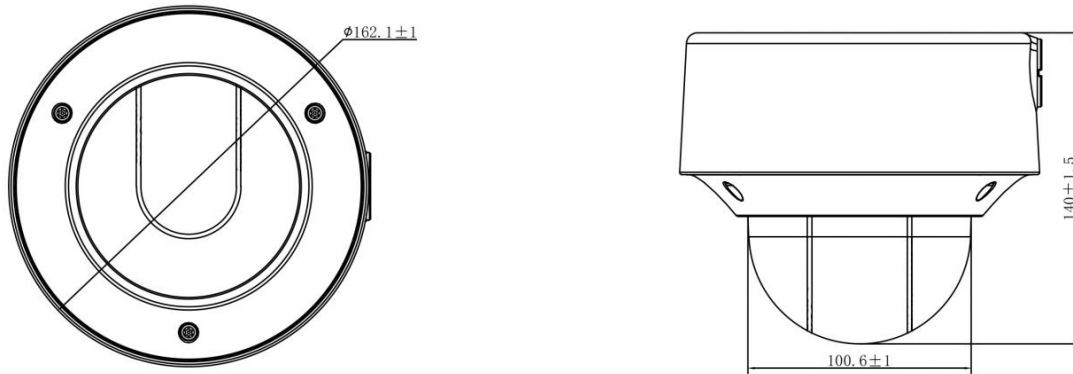
Technical Specifications cont ...

		TVD-5717	TVD-5718	TVD-5719	TVD-5720	TVD-5721
Network	Network interface	RJ-45 10/100 Mbps self-adaptive Ethernet interface				
	Integration	CGI, ISAPI, ONVIF Profile G, ONVIF Profile S, ONVIF Profile T				
	Supported network protocols	802.1x, Bonjour, DDNS, DHCP, DNS, FTP, HTTP, HTTPS, ICMP, IGMP, IPv4, IPv6, NTP, PPPoE, QoS, RTCP, RTP, RTSP, SMTP, SNMP, TCP/IP, UPnP				
	Security	Password protection, HTTPS encryption, 802.1x authentication (EAP-TLS, EAP-LEAP, EAP-MD5), watermark, IP address filter, basic and digest authentication for HTTP/HTTPS, WSSE and digest authentication for ONVIF, RTP/RTSP over HTTPS, control timeout settings, security audit log, TLS 1.2				
Audio	Audio compression	G.711alaw, G.711ulaw, G.722.1, G.726, MP2L2, MP3, PCM				
	Audio in	1 line in/mic.in				
	Audio out	1 line out				
Alarm I/O	Alarm inputs	1				
	Alarm outputs	1 output (24 VAC/VDC, 1A max)				
	Alarm I/O connection	Terminal block				
Storage	Local storage support	Yes				
	Local storage type	Built-in Micro SD/SDHC/SDXC card slot				
	Max. storage capacity	256 GB				
	Additional storage options	NAS (NFS,SMB/CIFS)				
Video intelligence	Alarm trigger	HDD error, HDD full, Invalid login, IP address conflict, Network disconnected				
	ROI	Up to 4 fixed regions for one of 5 the first streams Dynamic region for face tracking				
	Video analytics	Advanced motion detection, Audio exception detection, Defocus, Face detection, Intrusion detection, Line crossing detection, Object removal detection, Region entrance detection, Region exiting detection, Scene change detection, Unattended baggage detection				
Electrical	Operating voltage	12 VDC \pm 20%, three-core terminal block, reverse polarity protection / PoE (802.3at, class 4)				
	Power consumption	12 VDC, 1.13 A, max. 13.5 W; PoE (802.3at, 42.5 V to 57 V), 0.42 A to 0.32 A, max. 18 W With external load connected to camera power output: 12 VDC, 1.33 A, max. 15.9 W; PoE (802.3at, 42.5 V to 57 V), 0.50 A to 0.37 A, max. 21.2 W				
Physical	Physical dimensions	Φ 162 x 140 mm				
	Net weight	1400 g				
	Colour	Grey				
	Form Factor	Dome				
Environmental	Impact rating	IK10				
	Environment	Outdoor				
	Operating temperature	-40 to +65°C				
	Relative humidity	< 95% (non-condensing)				
	IP rating	IP67				
Regulatory	Compliancy	CE, FCC, REACH, RoHS, UL, WEEE, RCM				

S7 Series Dome Camera

National Sales Enquiries
10 Ferntree Place
Notting Hill, Victoria 3168
Phone: 1300 361 479
Outside Australia: +61 3 9239 1200

Dimensional Diagram



Ordering Information

TVD-5717	TruVision IP Outdoor Dome Camera, H.265, 4MP, 2.8-12mm Motorized lens, Super Low Light, WDR, true D/N, 30m IR, Audio, Alarm, BNC, micro SD/SHDC slot, Intelligence, PoE+ (802.3-at)
TVD-5718	TruVision IP Outdoor Dome Camera, H.265, 4MP, 8-32mm Motorized lens, Super Low Light, WDR, true D/N, 50m IR, Audio, Alarm, BNC, micro SD/SHDC slot, Intelligence, PoE+ (802.3-at)
TVD-5719	TruVision IP Outdoor Dome Camera, H.265, 8MP/4K, 2.8-12mm Motorized lens, Super Low Light, WDR, true D/N, 30m IR, Audio, Alarm, BNC, micro SD/SHDC slot, Intelligence, PoE+
TVD-5720	TruVision IP Outdoor Dome Camera, H.265, 8MP/4K, 8-32mm Motorized lens, Super Low Light, WDR, true D/N, 50m IR, Audio, Alarm, BNC, micro SD/SHDC slot, Intelligence, PoE+
TVD-5721	TruVision IP Outdoor Dome Camera, H.265, 12MP, 2.8-12mm Motorized lens, Super Low Light, DWDR, true D/N, 30m IR, Audio, Alarm, BNC, micro SD/SHDC slot, Intelligence, PoE+

Accessories

TVD-CB9	TruVision Cup Base for S7 outdoor dome camera
TVB-PM	TruVision transparent spare bubble for S7 outdoor dome



Specifications subject to change without notice.
Carrier Fire & Security Australia Pty Ltd.
© 2021 Carrier. All rights reserved. All trademarks are the property of their respective owners.



S7_IPDomeCamera-DS-210209-1