

MODERN
FORMS
SMART
FANS

Ultra

Germicidal* Smart Fan

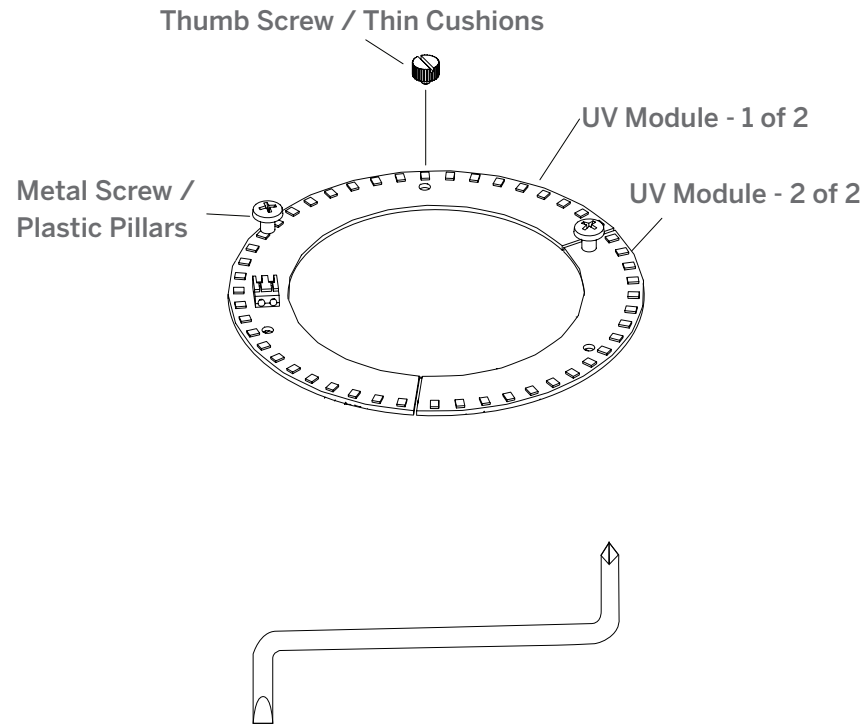
UV Module Replacement



*Reduces the SARS COV-2 viruses and other airborne pathogens.

Package Contents

1. UV Module x 2
2. Thumb Screws / Thin Cushions x 3
3. Metal Screws / Plastic Pillars x 3
4. Tool x 1



Replacing the UV Module (UVF7IN-120V-R1-MOD)

For further operation, maintenance, and troubleshooting information, visit <http://modernforms.com/fan-support/> or contact fansupport@modernforms.com

Your UV Module has an approximate 1 year lifespan which you can monitor on the mobile app. When there are approximately 80 hours remaining in the module's life - the light will flash when turned on indicating you should replace the module. Once this occurs, please refer the following instructions:



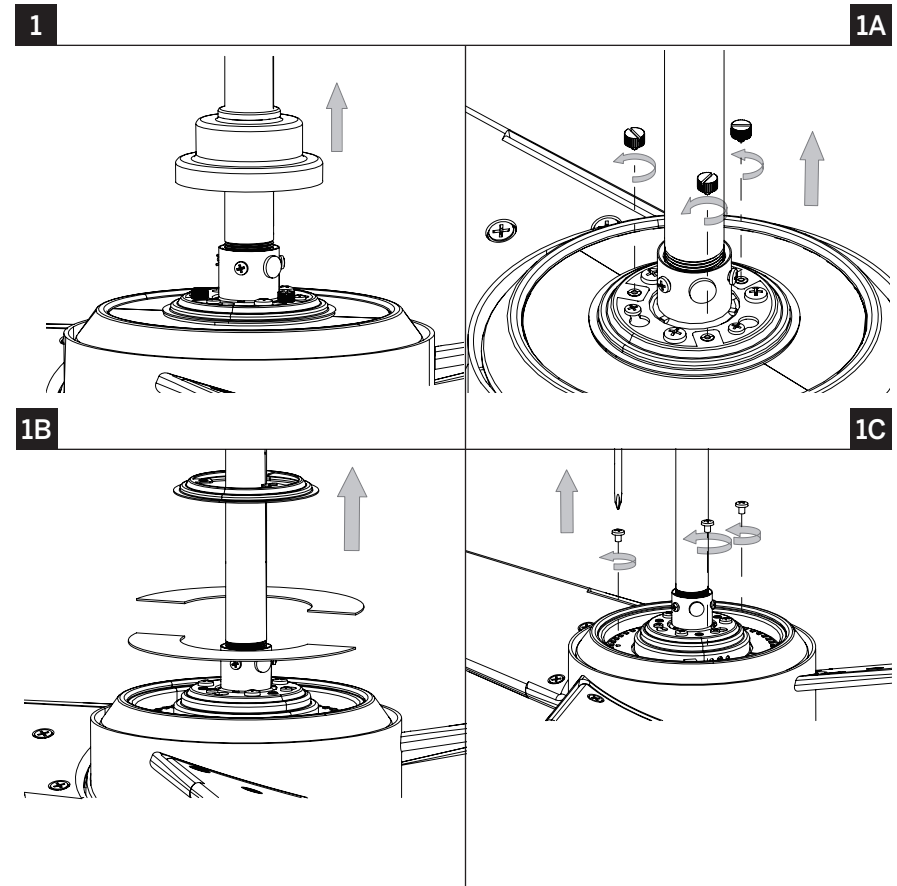
⚠ WARNING: This product emits ultraviolet (UV) radiation. Exposure to UV radiation can cause serious personal injuries, including damage to eyes and skin. Avoid direct exposure to the UV light. For more safety instructions, please refer to page 5 of this instruction manual ("UV Safety Rules").

⚠ WARNING: Ultraviolet (UV) Radiation Hazard. The lamp in this unit produces UV light. Skin or eye damage may result from direct exposure to UV light. Avoid direct exposure to UV light. Always turn off and disconnect power before servicing the lamp or the unit. See Instructions for UV Safety Rules.



⚠ WARNING: This product should be installed by a licensed electrician. This product should be mounted to an outlet box UL-listed marked "Acceptable for fan support" of 15.9 kg (35 lbs) or less and should use mounting screws provided with the outlet box and/or support directly from building structure. Most outlet boxes commonly used for the support of luminaires are not acceptable for fan support. Consult a licensed electrician.

NOTE: You may take down the entire fan to replace the module, but it is not required.

1. **CAUTION:** Make sure the UV light is off. Refer to the Safety Rules section of the fan instruction manual.
2. Once you've made sure the UV light is off - use a ladder to gain access to the top of the fan.
3. Slide up the coupling cover to gain access to the UV Module (UVF7IN-120V-R1-MOD) (Fig. 1)
4. Remove the knurled screws by hand from the outer perimeter of the glass fixing plate. (Fig. 1A)
5. Lift up the glass fixing plate/silicone ring and remove the two pieces of the glass. Set them carefully to the side. Hold the glass fixing plate/silicone ring up - they cannot be removed. (Fig. 1B)
6. Unscrew the module from the tray with the provided tool. Set the screws near by for a subsequent step using the included tool. (Fig. 1C)



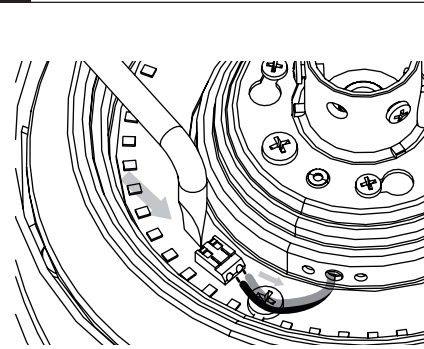
1. Replacing the UV Module cont.

7. Disconnect the two pieces of the module from the tray by pushing into the terminal block with the included tool and pulling the wires out at the same time. You can later discard these two pieces. (Fig. 1D)
8. Take your new module and reconnect it to the tray at the same connection point (where for the former module was removed) by pushing in to the terminal block with the tool and pushing into the wires at the same time. Make sure the wires are locked in to the terminal block before moving on to the next steps. (Fig. 1E)
9. Screw in the module to the tray with the 3 previously removed screws. (Fig. 1F)
10. Place the two pieces of glass/silicone ring, and glass fixing plate down on the tray. Make sure the parts are level on the tray before moving on to the the next step. (Fig. 1G)
11. Secure the module, glass fixing plate/silicone ring with the three previously removed knurled screws by hand. Make sure they are on tight. (Fig. 1H)
12. Slide the coupling cover down on top of the fan. Refer to the UV safety Rules before powering your fan back on. (Fig. 1I)
13. Reset the end of life timer by holding the  and  buttons for 4 seconds. The fan receiver will beep a short, long, short sequence, indicating the reset was successful. Alternatively you can reset the timer using the mobile app.

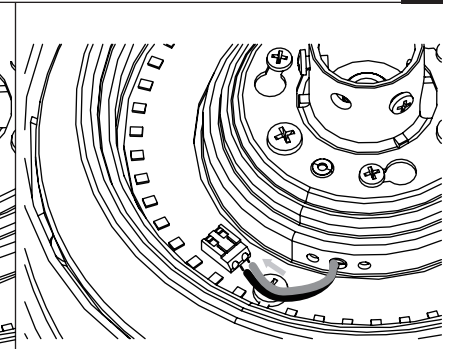


WARNING: This product emits ultraviolet (UV) radiation. Exposure to UV radiation can cause serious personal injuries, including damage to eyes and skin. Avoid direct exposure to the UV light. For more safety instructions, please refer to page 5 of this instruction manual (“UV Safety Rules”).

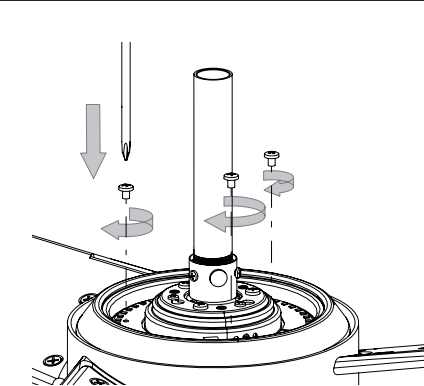
1D



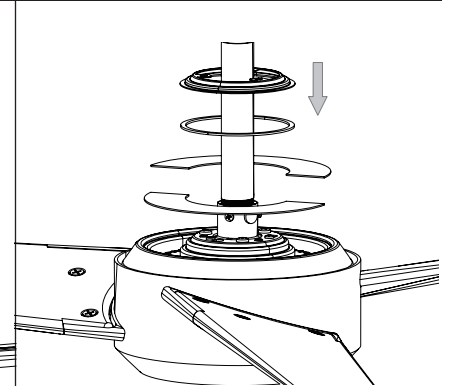
1E



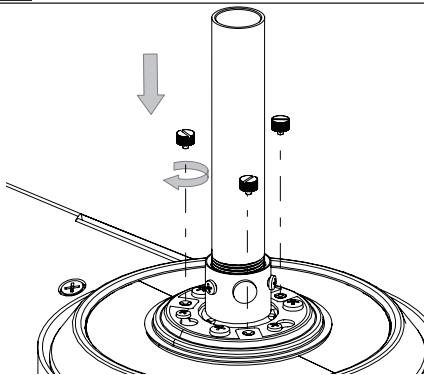
1F



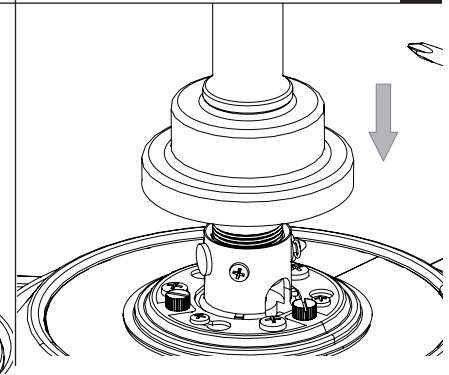
1G



1H



1I



Certificate of Warranty

Congratulations on your new purchase.

Your new Modern Forms Smart Fan is engineered to make life easier every day. Modern Forms creates future-forward fans and luminaires that provide energy savings and outstanding efficiency. Our dedication to doing things the right way goes beyond our love for amazing products. Modern Forms Smart Fans™ warrants any of its outdoor rated ceiling fan products that they are to be free from defects in material and workmanship for a period of one (1) year from the date of purchase; outdoor painted finishes are warranted for two (2) years; electronic components are warranted for five (5) years; DC motors and stainless steel finishes are warranted for lifetime under normal use to the first non-dealer purchaser. UV modules should be operational for approximately one year, but we do not offer any express warranties on their longevity.

Although Modern Forms uses the best available materials and does extensive testing for finish endurance, some fading or chalking may occur and is considered normal. For coastal locations, some corrosion and/or deterioration is considered "normal wear" in this environment. Therefore, any finish claim due to coastal environment conditions is not applicable to our warranty. If a product is defective, all efforts will be made to correct the problem in the field. If the problem cannot be resolved, an RGA number will be issued. Modern Forms obligation is expressly limited to repair or replacement, without charge, at the Modern Forms factory after prior written return authorization has been granted. Modern Forms obligation under this warranty shall not extend beyond the distributor's initial purchase price of the product and accordingly any consequential damages or labor costs arising out of a defect are expressly excluded. This warranty shall not apply to products that have been altered, improperly installed, mishandled or misused. Notice of a defect in writing must be received by Modern Forms within five (5) years from the date of purchase (or according period of time as outlined by material). Excluded from warranty are any 3rd party component which carries its own manufacturer's warranty. Note: Modern Forms product warranty applies only to purchases from authorized Modern Forms distributors. THERE ARE NO WARRANTIES WHICH EXTEND BEYOND THE DESCRIPTION ON THE FACE HEREOF INCLUDING WARRANTIES OF MERCHANTABILITY AND FITNESS FOR A PARTICULAR PURPOSE. The Bluetooth® word mark and logos are registered trademarks owned by Bluetooth SIG, Inc. and any use of such marks by Wangs Alliance Corporation is under license. Other trademarks and trade names are those of their respective owners.

Felicidades por tu nueva compra.

Su nuevo ventilador moderno de formas modernas está diseñado para facilitarle la vida cada día. Modern Forms crea ventiladores y luminarias para el futuro que proporcionan ahorros de energía y eficiencia excepcional. Nuestra dedicación a hacer las cosas de la manera correcta va más allá de nuestro amor por los productos asombrosos. Modern Forms garantiza a cualquiera de sus productos para ventiladores de techo con clasificación exterior que estén libres de defectos en materiales y mano de obra por un período de un (1) año desde el fecha de compra; Los módulos de luz LED están garantizados por cinco (5) años; Los motores de CC y los acabados de acero inoxidable están garantizados de por vida bajo el uso normal para el primer comprador no distribuidor.

Aunque Modern Forms utiliza los mejores materiales disponibles y realiza pruebas exhaustivas para la resistencia del acabado, puede producirse cierto desvanecimiento o parroteo y se considera normal. Para las ubicaciones costeras, cierta corrosión y / o deterioro se considera "desgaste normal" en este entorno. Por lo tanto, cualquier reclamación de acabado debido a las condiciones del entorno costero no se aplica a nuestra garantía. Si un producto es defectuoso, se harán todos los esfuerzos para corregirlo. El problema en el campo. Si el problema no se puede resolver, se emitirá un número RGA. La obligación de Modern Forms se limita expresamente a la reparación o el reemplazo, sin cargo, en la fábrica de Modern Forms después de que se haya otorgado una autorización previa por escrito. La obligación de Formas modernas bajo esta garantía no se extenderá más allá del precio de compra inicial del producto por

parte del distribuidor y, en consecuencia, cualquier daño consecencial o costo de mano de obra que surja de un defecto se excluye expresamente. Esta garantía no se aplicará a los productos que hayan sido alterados, instalados incorrectamente, mal manejados o mal utilizados. La notificación de un defecto por escrito debe ser recibida por Modern Forms dentro de los cinco (5) años a partir de la fecha de compra (o según el período de tiempo indicado en el material). Quedan excluidos de la garantía todos los componentes de terceros que tengan la garantía de su propio fabricante. Nota: la garantía del producto Modern Forms se aplica solo a las compras de los distribuidores autorizados de Modern Forms. NO HAY GARANTÍAS QUE SE EXTIENDAN MÁS ALLÁ DE LA DESCRIPCIÓN DE SU CARACTERÍSTICA, INCLUIDAS LAS GARANTÍAS DE COMERCIABILIDAD Y ADECUACIÓN PARA UN PROPÓSITO PARTICULAR. La marca denominativa y los logotipos Bluetooth® son marcas registradas propiedad de Bluetooth SIG, Inc. y cualquier uso de dichas marcas por parte de Wangs Alliance Corporation se realiza bajo licencia. Otras marcas comerciales y nombres comerciales pertenecen a sus respectivos propietarios.

Félicitations pour votre nouvel achat.

Votre nouveau ventilateur intelligent Modern Forms est conçu pour vous simplifier la vie au quotidien. Modern Forms crée des ventilateurs et des luminaires d'avant-garde qui permettent des économies d'énergie et une efficacité exceptionnelle. Notre engagement à bien faire les choses va au-delà de notre amour pour les produits étonnants. Modern Forms garantit à tous ses produits pour ventilateurs de plafond pour extérieur qu'ils ne doivent présenter aucun défaut de matériau ou de fabrication pendant un (1) an date d'achat; Les modules d'éclairage à LED sont garantis pendant cinq (5) ans; Les moteurs à courant continu et les finis en acier inoxydable sont garantis à vie dans les conditions normales d'utilisation par le premier acheteur non revendeur.

Bien que Modern Forms utilise les meilleurs matériaux disponibles et effectue des tests approfondis pour l'endurance de la finition, des décolorations ou des craies peuvent se produire et sont considérés comme normaux. Pour les zones côtières, une certaine corrosion et / ou détérioration est considérée comme une «usure normale» dans cet environnement. Par conséquent, toute réclamation liée à la finition en raison des conditions de l'environnement côtier ne s'applique pas à notre garantie. Si un produit est défectueux, tous les efforts seront déployés pour y remédier. Le problème sur le terrain. Si le problème ne peut pas être résolu, un numéro RGA sera attribué. L'obligation de Modern Forms est expressément limitée à la réparation ou au remplacement, sans frais, dans l'usine de Modern Forms après autorisation écrite préalable du retour. L'obligation de Modern Forms au titre de cette garantie ne s'étendra pas au-delà du prix d'achat initial du produit par le distributeur. En conséquence, tout dommage indirect ou tout coût de main-d'œuvre résultant d'un défaut est expressément exclu. Cette garantie ne s'applique pas aux produits modifiés, mal installés, manipulés ou utilisés de manière inappropriée. Modern Forms doit recevoir un avis écrit du défaut dans un délai de cinq (5) ans à compter de la date d'achat (ou selon la période précisée dans les informations fournies). Sont exclus de la garantie tout composant tiers bénéficiant de la garantie du fabricant. Remarque: la garantie des produits Modern Forms ne s'applique qu'aux achats auprès des distributeurs agréés Modern Forms. IL N'Y A AUCUNE GARANTIE QUI ALLAIT AU-DELÀ DE LA DESCRIPTION FACE AU PRESENT, INCLUANT LES GARANTIES DE QUALITÉ MARCHANDE ET D'ADÉQUATION À UN USAGE PARTICULIER. La marque et les logos Bluetooth® sont des marques déposées appartenant à Bluetooth SIG, Inc. et toute utilisation de ces marques par Wangs Alliance Corporation est sous licence. Les autres marques et noms commerciaux appartiennent à leurs propriétaires respectifs.

Disclaimer: While there may be information here or on our website relating to the effectiveness of the UV-C technology incorporated in the ULTRA in reducing SARS-CoV-2 and other pathogens in the air, Modern Forms makes no claims that its products can cure, treat or prevent any conditions, including COVID-19 or other conditions that may be caused by airborne pathogens. Always consult your healthcare provider with any health-related questions. Whole room pathogen concentrations will vary between installation locations, and the number of ULTRA fans installed, and it is not possible to predict the extent of reductions that will be achieved by the ULTRA in whole room air in any particular room or environment. The ULTRA is not a substitute for good building air exchange practices or manual cleaning and disinfection practices.

