

# Coda Ceiling Fan

## 3-103-xx

oxygen

FIXTURE TYPE \_\_\_\_\_ LOCATION \_\_\_\_\_

PROJECT \_\_\_\_\_ DATE \_\_\_\_\_



-22 Oiled Bronze with Optional LED Light kit



-6 White



Without light kit



-22 Oiled Bronze



Without light kit



-15 Black



Without light kit



-24 Satin Nickel



Without light kit



-20 Polished Nickel



Without light kit

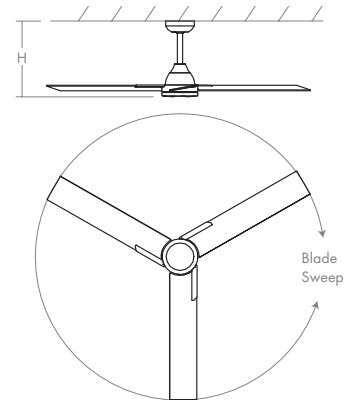
**SPECIFICATIONS** 3 Blades / 56" Blade Sweep / 13.5° Blade-Pitch  
 4.5" Downrod (Included)  
 Optional downrods available for high ceilings  
 6 Speeds - Reversible  
 0.43A on high / 0.07A on low  
 28W on high / 3W on low  
 166 rpm on high / 72 rpm on low  
 Wall control (Included)

**INPUT VOLTAGE** 120V

**ENERGY SPECIFICATIONS** Airflow: 5238 CFM  
 Electric Energy Consumption: 28 W at high speed  
 Airflow efficiency: 187 CFM/W  
 Note: Measured at high speed

**FINISHES** White (-6), Black(-15)\*, Polished Nickel (-20),  
 Oiled Bronze (-22), Satin Nickel (-24)

**STANDARDS** ETL Dry  
 \*Black (-15) only: ETL Certified for US and Canada market



**DIMENSIONS**  
**Blade Sweep:** 56.00"  
**Ht.:** 11.50"  
**Ceiling to Blades:** 9.125"  
 Using 4.5" downrod

### OPTIONAL LIGHT INFORMATION

**LIGHT KIT NUMBER** **3-9-102**

**LUMEN OUTPUT** 743 lm (LM-79)

**LIGHT SOURCE** LED Light kit 15W, 3000K, 90CRI  
 Dimmable LED with Matte White Polycarbonate diffuser

ENERGYGUIDE

<p>Estimated Yearly Energy Cost</p> <p style="font-size: 1.5em; font-weight: bold;">\$5</p> <p style="font-size: 0.8em;">Cost Range of Similar Models (19' - 84')</p> <p style="font-size: 0.7em;">             • Based on 12 cents per kWh and 6.4 hours use per day              • Your cost depends on rates and use              • Energy Use: 18 Watts         </p>	<p>Airflow</p> <p style="font-size: 1.5em; font-weight: bold;">3,815</p> <p style="font-size: 0.8em;">Cubic Feet Per Minute</p> <p style="font-size: 0.7em;">             • The higher the airflow, the more air the fan will move              • Airflow Efficiency: 208 Cubic Feet Per Minute Per Watt         </p>
--	---

All estimates based on typical use, excluding lights. [ftc.gov/energy](http://ftc.gov/energy)

