

focus[®]

CREATE BEYOND CONVENTION

GYROFOCUS

bioethanol

Installation manual

CONTENTS

INSTALLATION INSTRUCTIONS.....	04
NOT CONNECTED TO A CHIMNEY FLUE	
■ DETAILED PLAN.....	04
■ CLEARANCE DISTANCES FROM COMBUSTIBLE MATERIALS.....	06
■ FIREPLACE INSTALLATION.....	07
INSTALLATION INSTRUCTIONS.....	10
CONNECTED TO A CHIMNEY FLUE	
■ DETAILED PLAN.....	10
■ CLEARANCE DISTANCES FROM COMBUSTIBLE MATERIALS.....	12
■ FIREPLACE INSTALLATION.....	13
■ DAMPER RULES.....	15
INSTALLATION INSTRUCTIONS.....	17
RETRO-FIT: OPEN WOOD-BURNING GYROFOCUS ALREADY INSTALLED	
■ DETAILED PLAN.....	17
■ CLEARANCE DISTANCES FROM COMBUSTIBLE MATERIALS.....	19
■ BEFORE BURNER INSTALLATION.....	20
■ DAMPER RULES.....	22

INSTALLATION INSTRUCTIONS

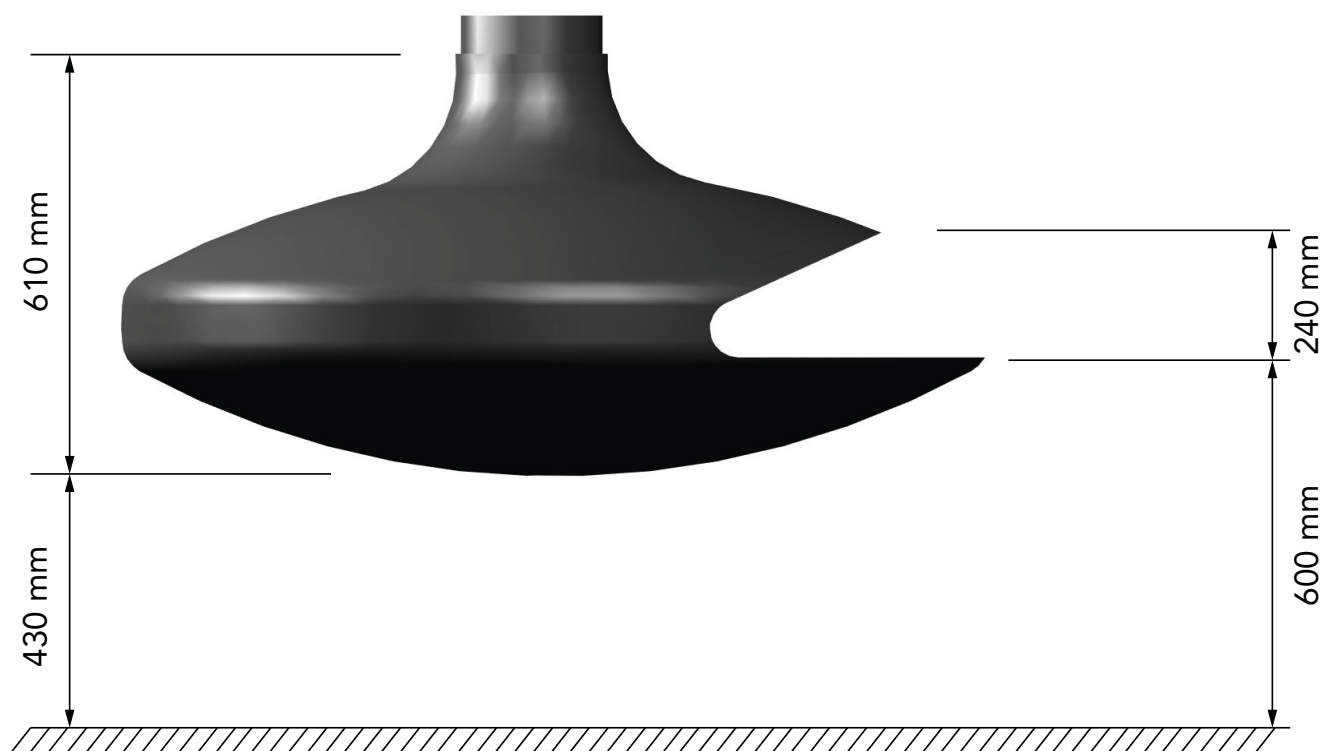
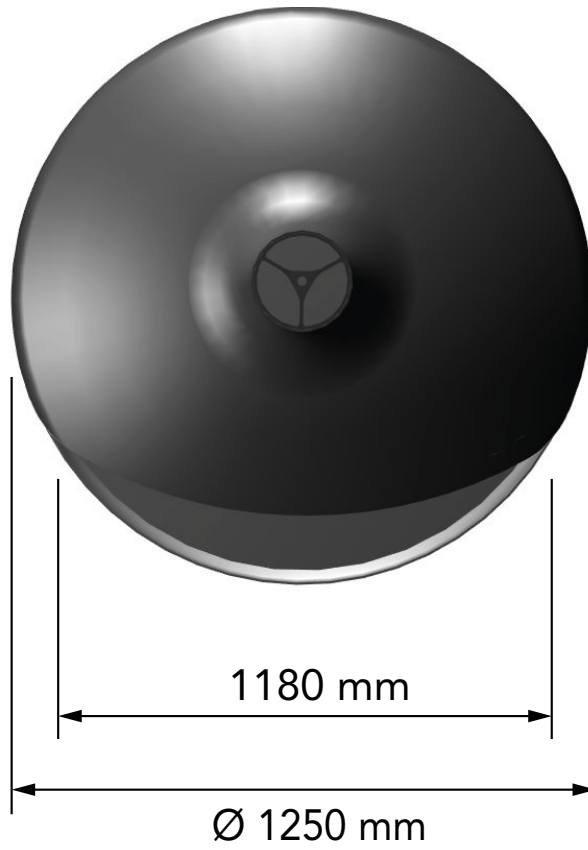
NOT CONNECTED TO A CHIMNEY FLUE

- Detailed plan



INSTALLATION INSTRUCTIONS

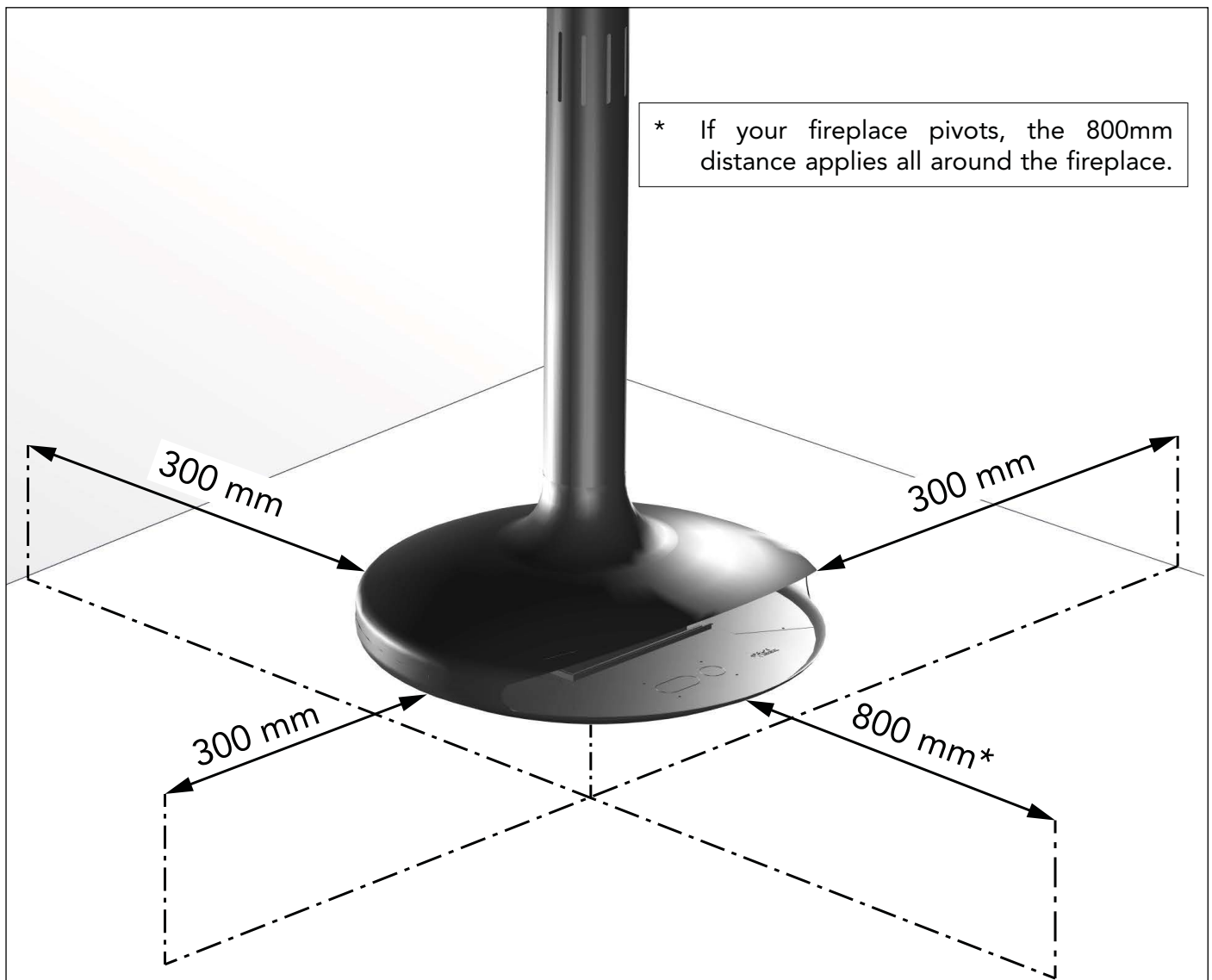
NOT CONNECTED TO A CHIMNEY FLUE



INSTALLATION INSTRUCTIONS

NOT CONNECTED TO A CHIMNEY FLUE

- **Clearance distances from combustible materials**

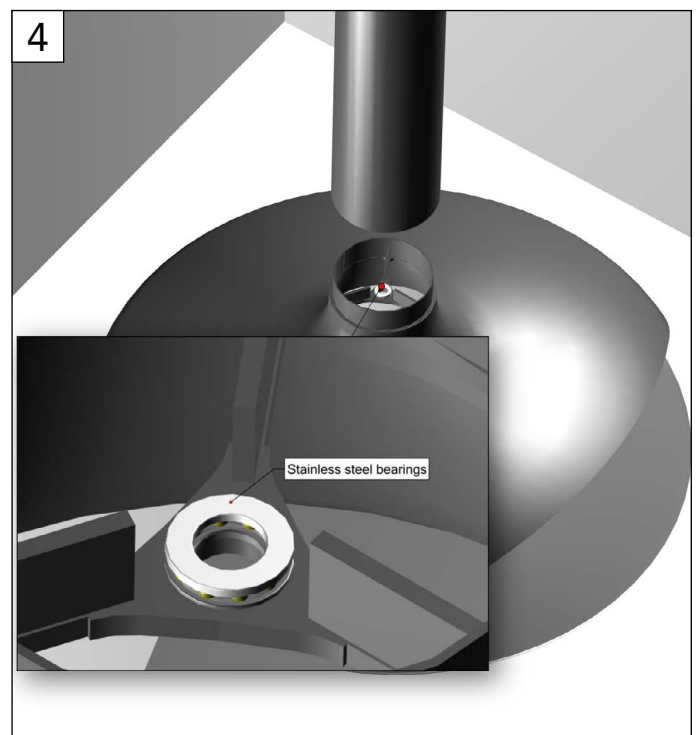
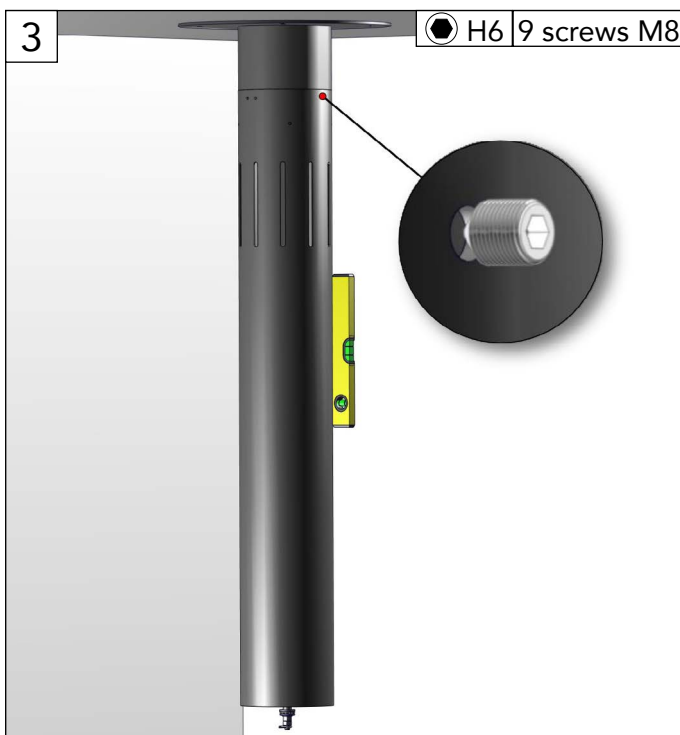
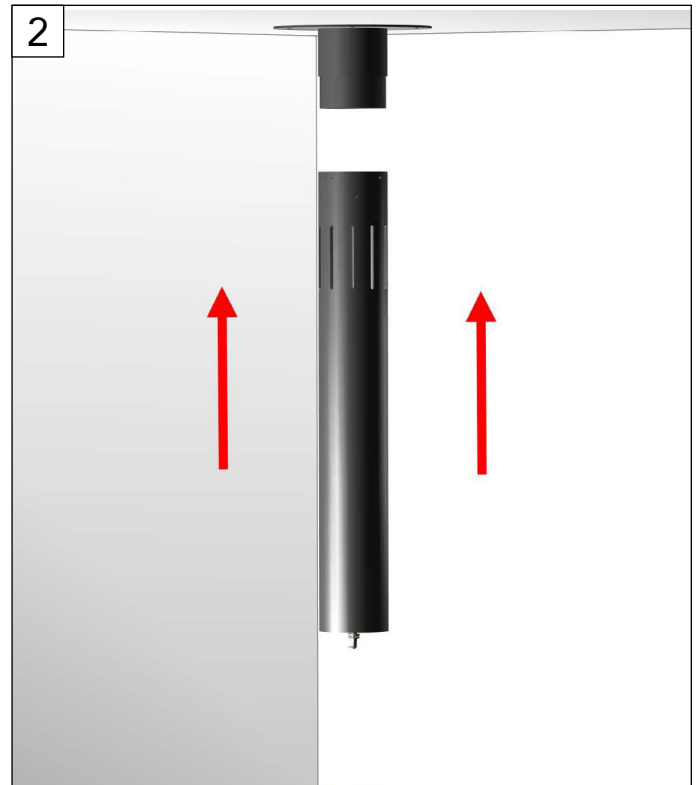


- It is necessary to keep the fireplace away from a bay-window, even though the latter is considered non-flammable. The required distance is **500 mm**. This distance can be reduced if special glass is used (ask your glass supplier for more details).

INSTALLATION INSTRUCTIONS

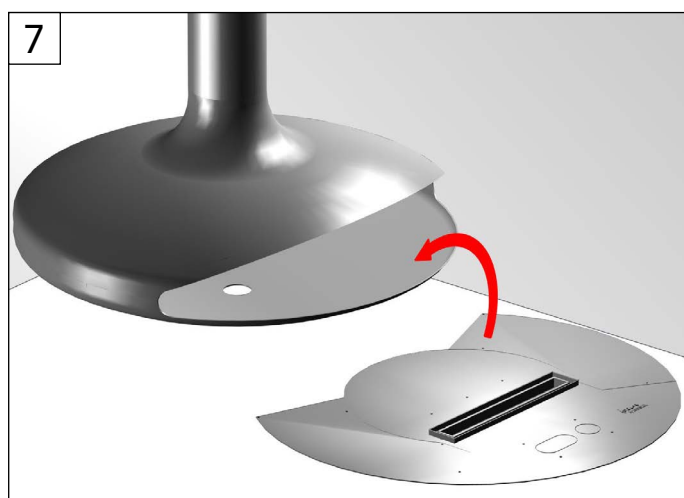
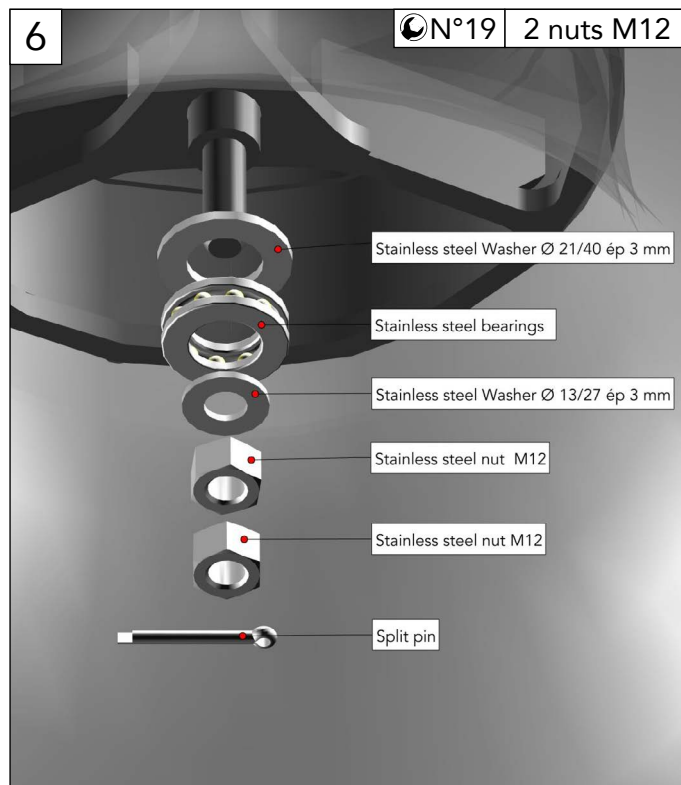
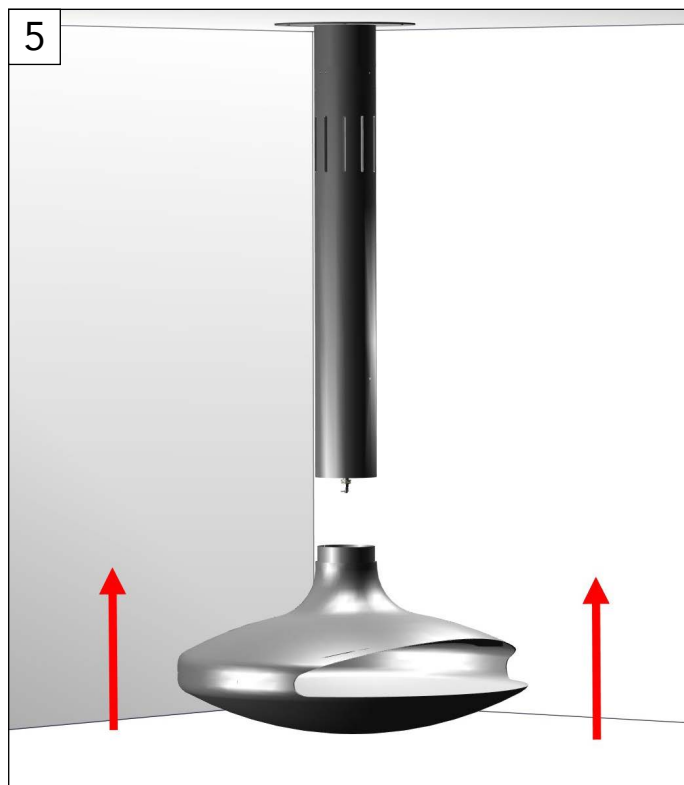
NOT CONNECTED TO A CHIMNEY FLUE

• Fireplace installation



INSTALLATION INSTRUCTIONS

NOT CONNECTED TO A CHIMNEY FLUE

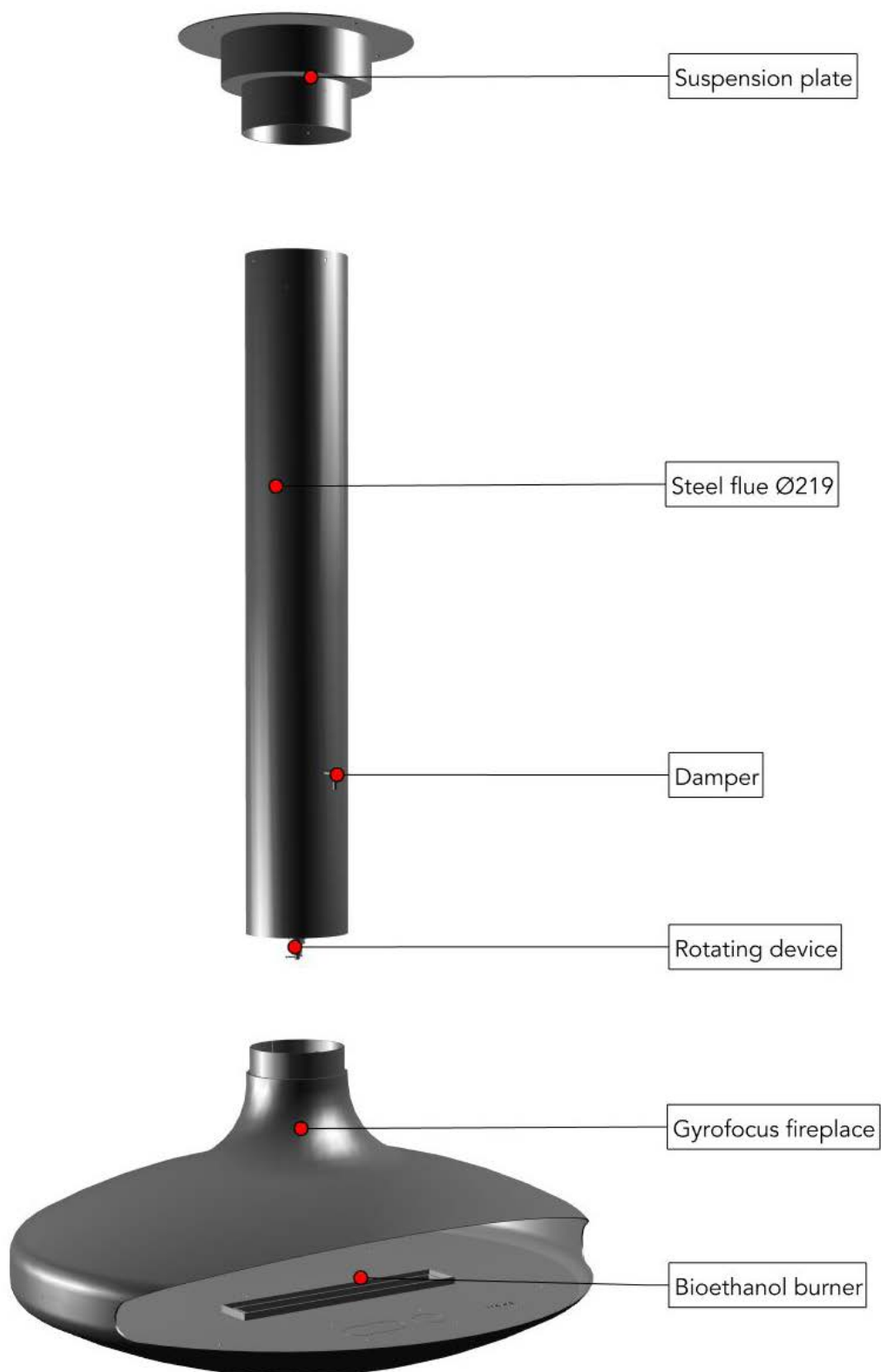


Once your fireplace is installed, please refer to the instructions for the installation of the ethanol burner.

INSTALLATION INSTRUCTIONS

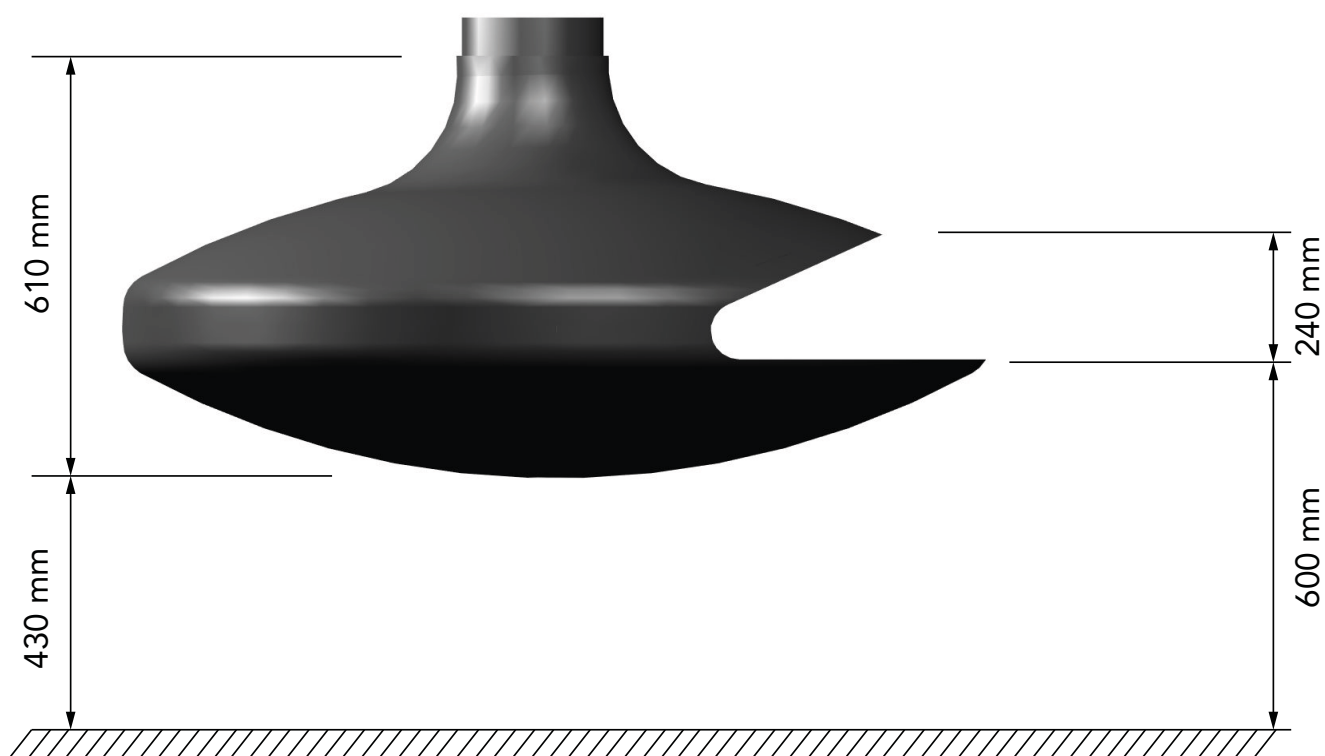
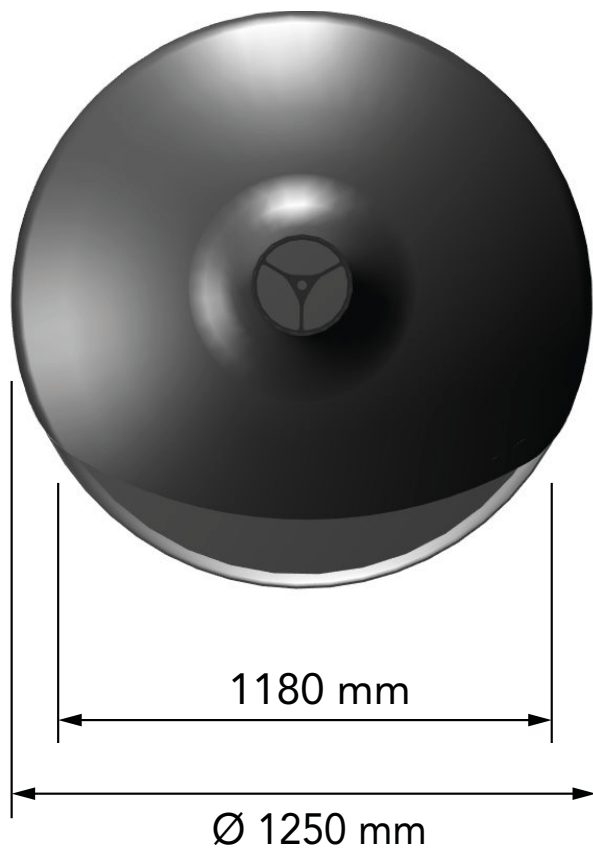
CONNECTED TO A CHIMNEY FLUE

- Detailed plan



INSTALLATION INSTRUCTIONS

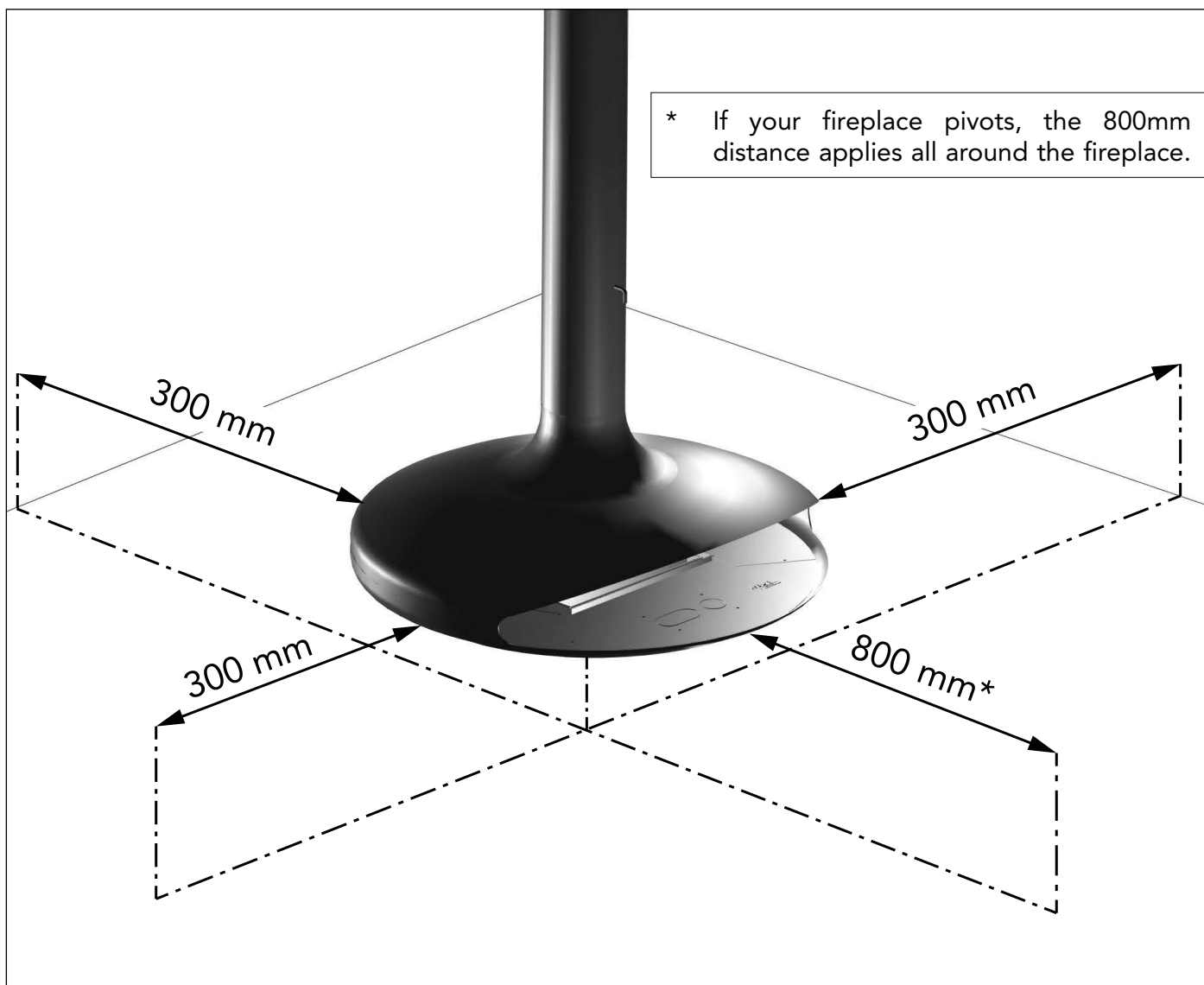
CONNECTED TO A CHIMNEY FLUE



INSTALLATION INSTRUCTIONS

CONNECTED TO A CHIMNEY FLUE

- **Clearance distances from combustible materials**

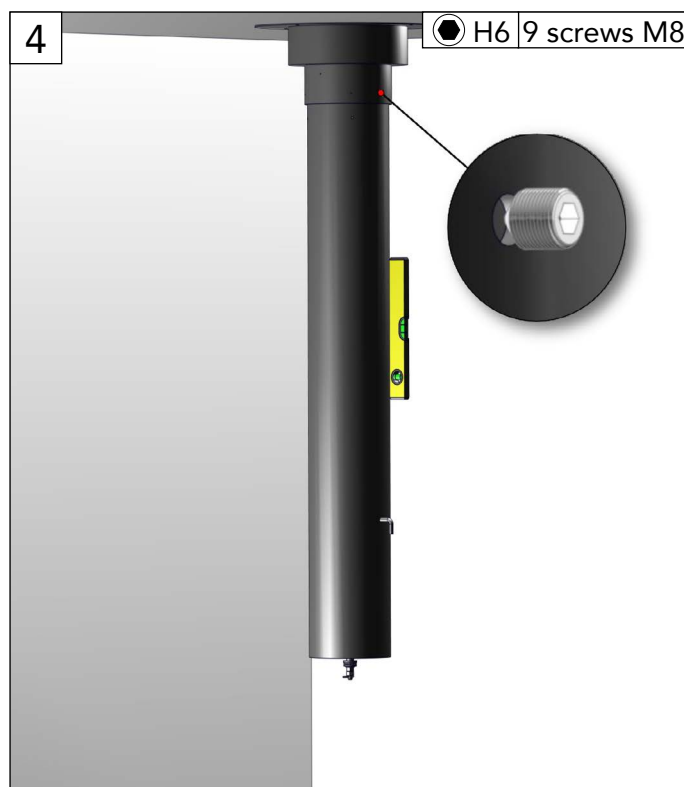
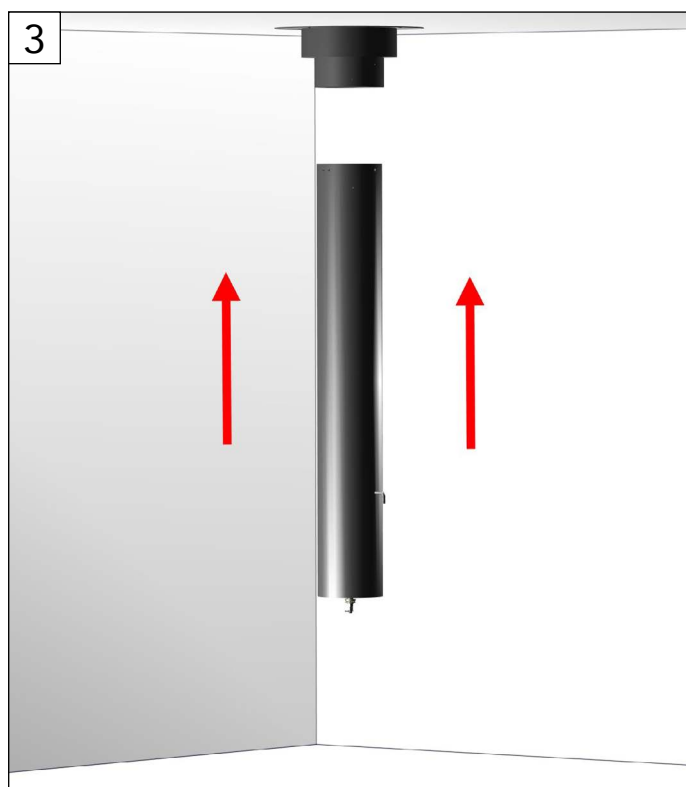
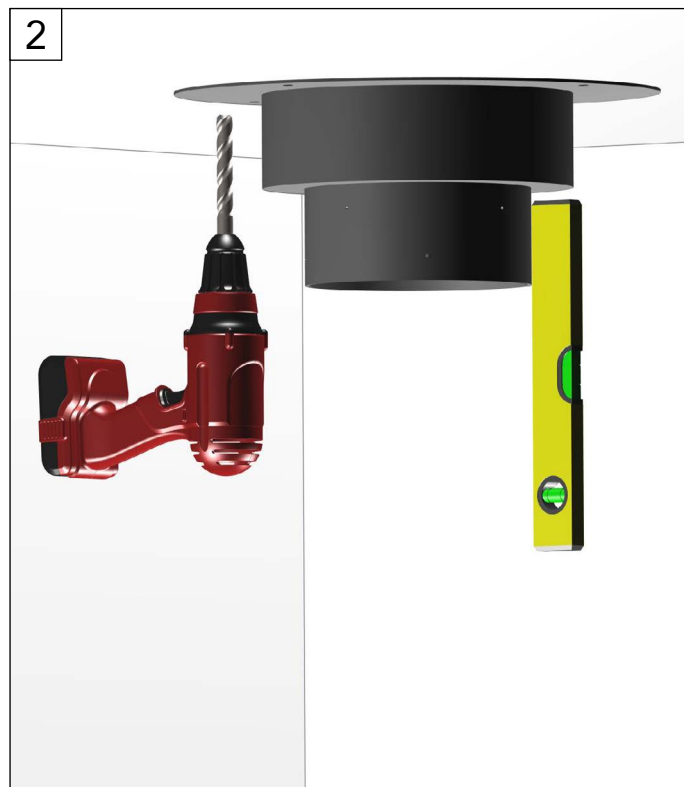
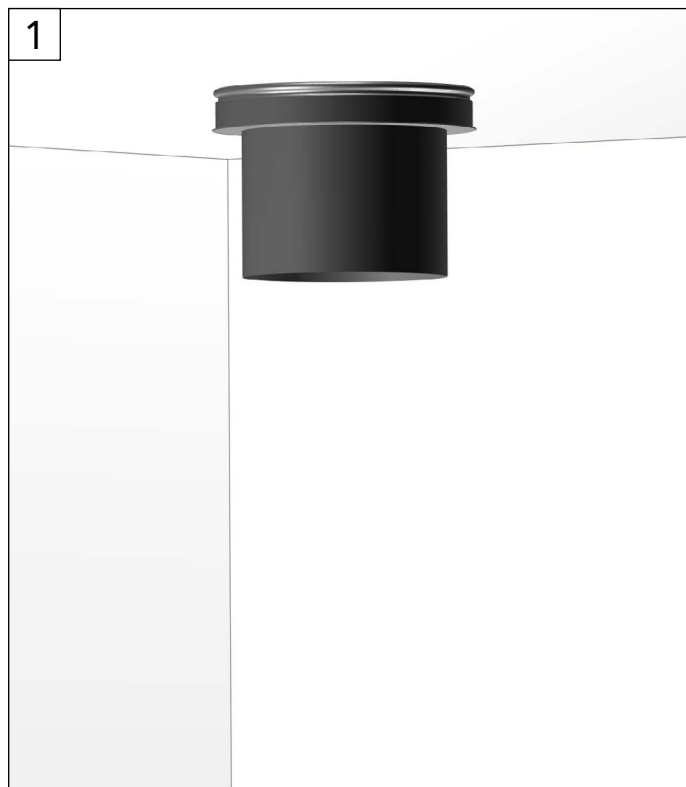


- It is necessary to keep the fireplace away from a bay-window, even though the latter is considered non-flammable. The required distance is **500 mm**. This distance can be reduced if special glass is used (ask your glass supplier for more details).

INSTALLATION INSTRUCTIONS

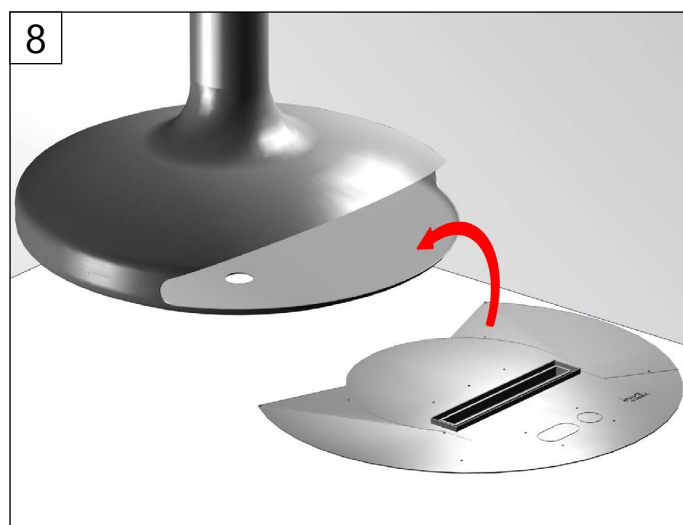
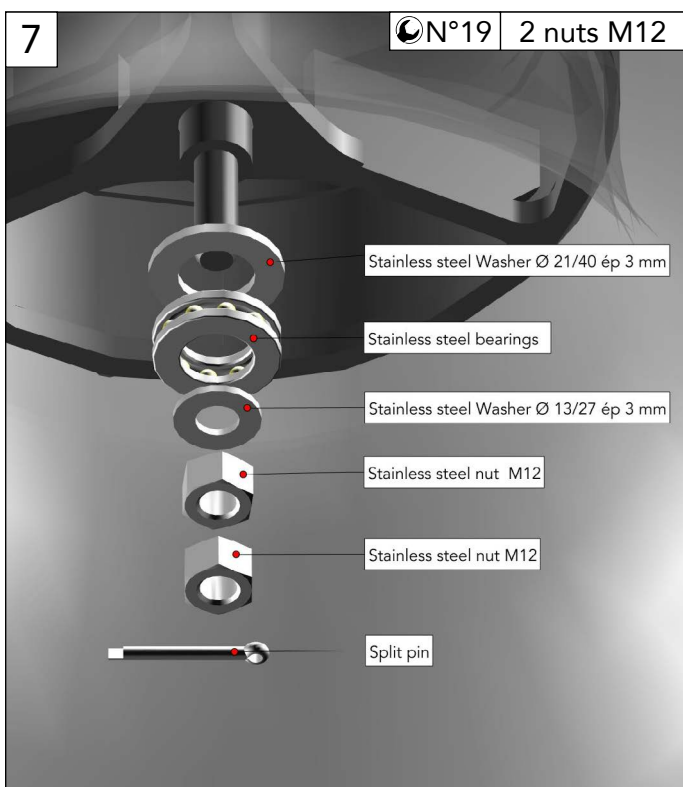
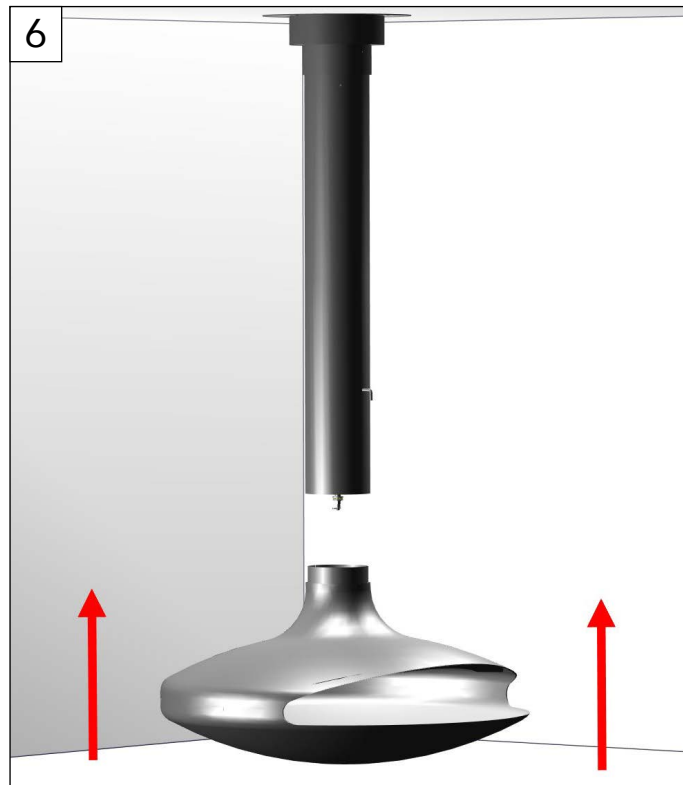
CONNECTED TO A CHIMNEY FLUE

• Fireplace installation



INSTALLATION INSTRUCTIONS

CONNECTED TO A CHIMNEY FLUE




Once your fireplace is installed, please refer to the instructions for the installation of the ethanol burner.

INSTALLATION INSTRUCTIONS

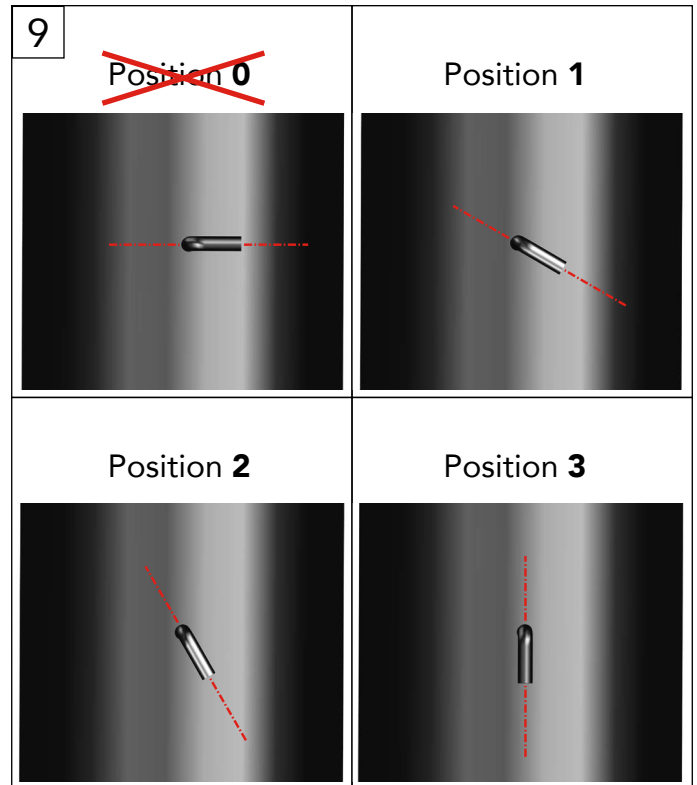
CONNECTED TO A CHIMNEY FLUE

• Damper rules

The damper, located on the flue, is used for both regulating and blocking the smoke flue during periods of non-operation. Before igniting, check the position of the damper, with the handle indicating the position of the damper. To change the position, pull the damper towards oneself, turn it slightly, and push it back to achieve one of the 4 possible positions of the flap disc inside the flue.

 To ensure proper operation of the appliance and to benefit from the guarantee, it is **STRICTLY** forbidden to use position **0** as it would damage the burner.

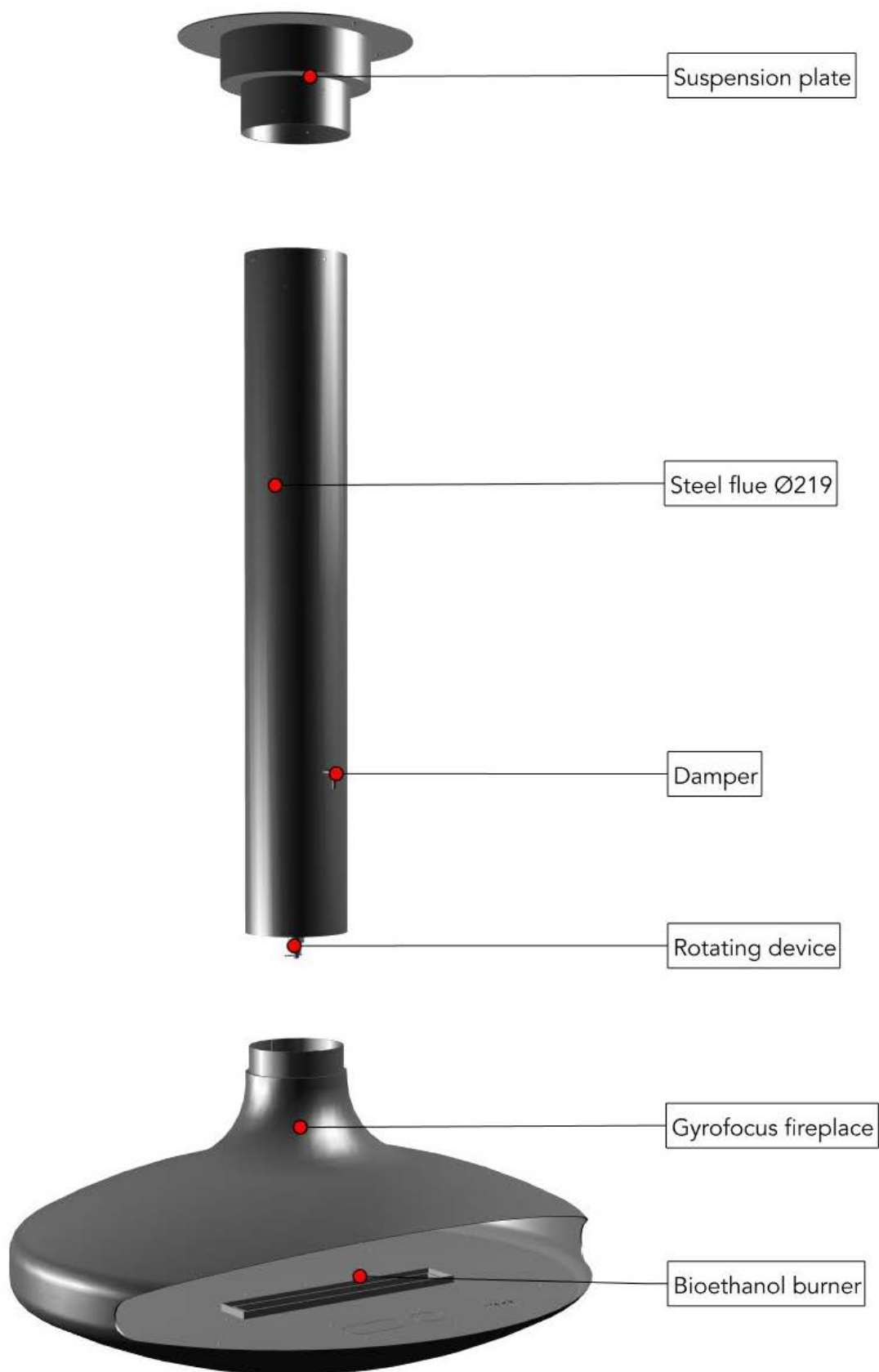
We recommend using only positions **1** and **2**. Position **3** may cause excessive draw, potentially disrupting the flame; therefore, we advise not using it.



INSTALLATION INSTRUCTIONS

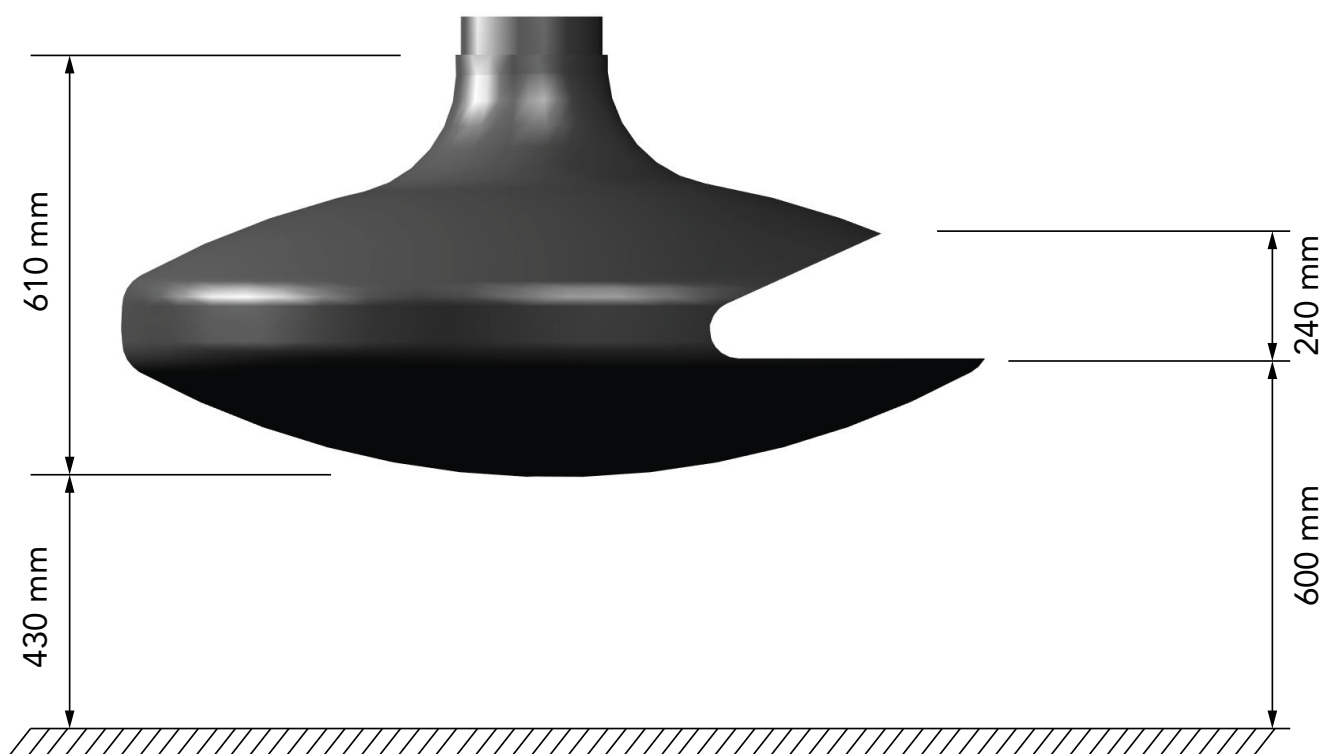
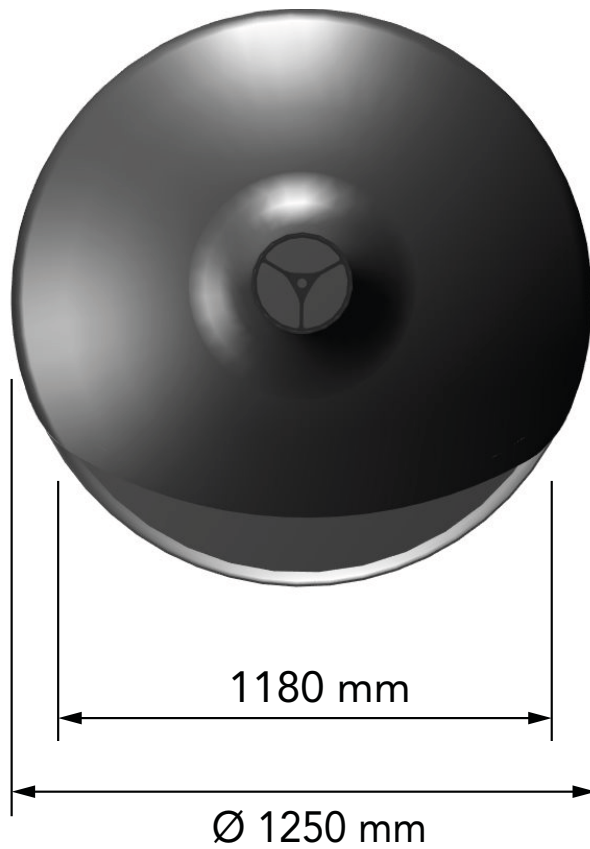
RETRO-FIT : OPEN WOOD-BURNING GYROFOCUS ALREADY INSTALLED

- **Detailed plan**



INSTALLATION INSTRUCTIONS

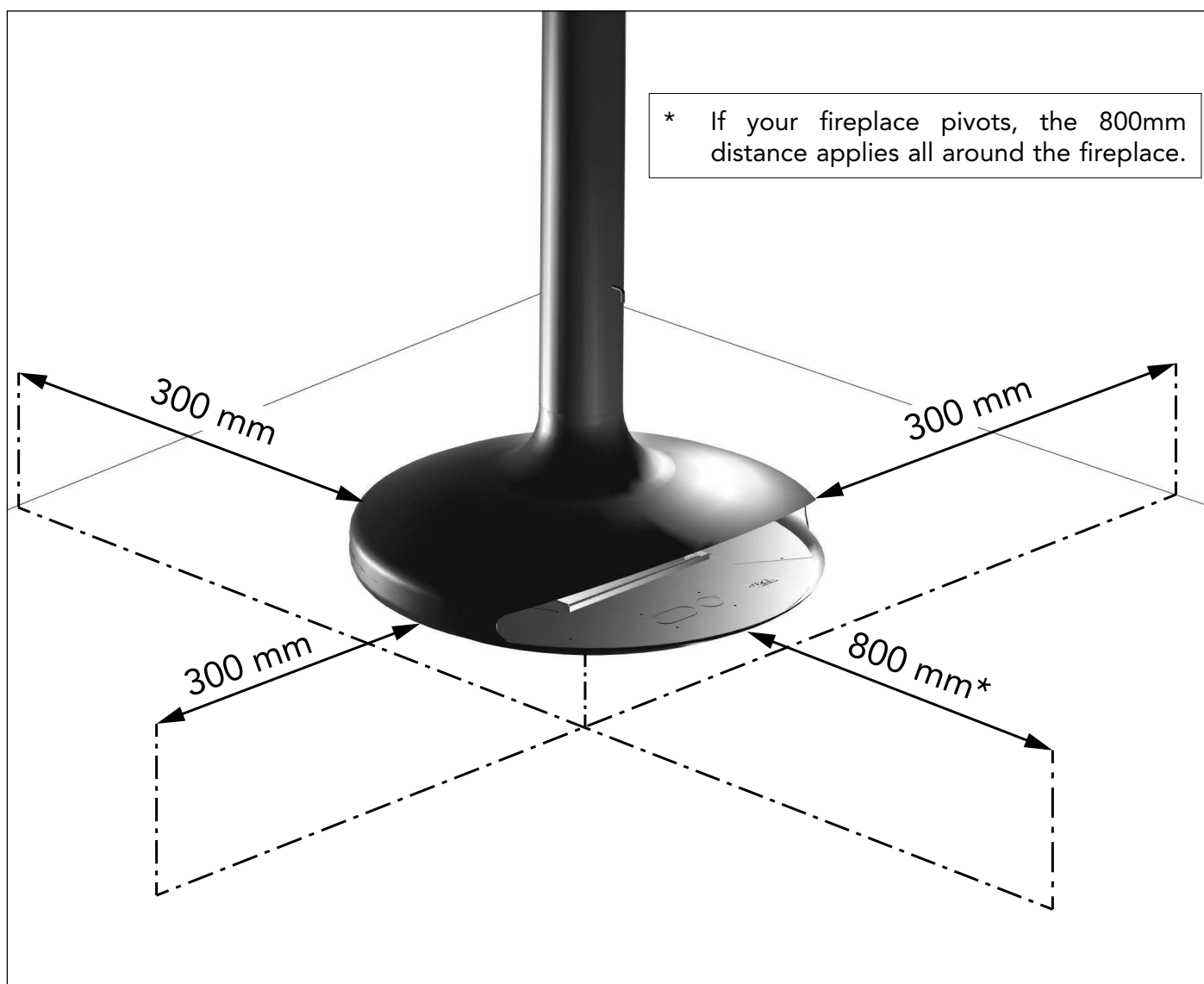
RETRO-FIT : OPEN WOOD-BURNING GYROFOCUS ALREADY INSTALLED



INSTALLATION INSTRUCTIONS

RETRO-FIT : OPEN WOOD-BURNING GYROFOCUS ALREADY INSTALLED

- **Clearance distances from combustible materials**



- It is necessary to keep the fireplace away from a bay-window, even though the latter is considered non-flammable. The required distance is **500 mm**. This distance can be reduced if special glass is used (ask your glass supplier for more details).

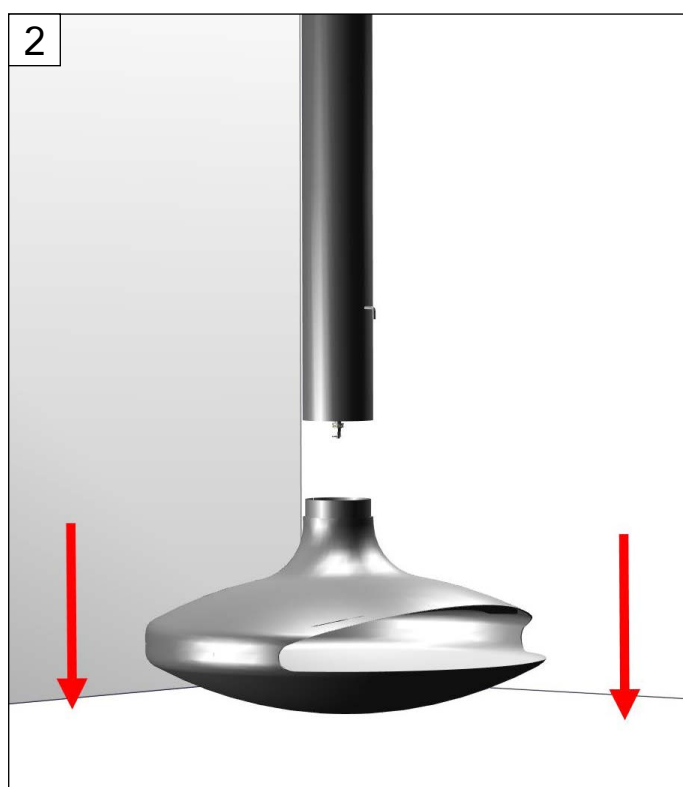
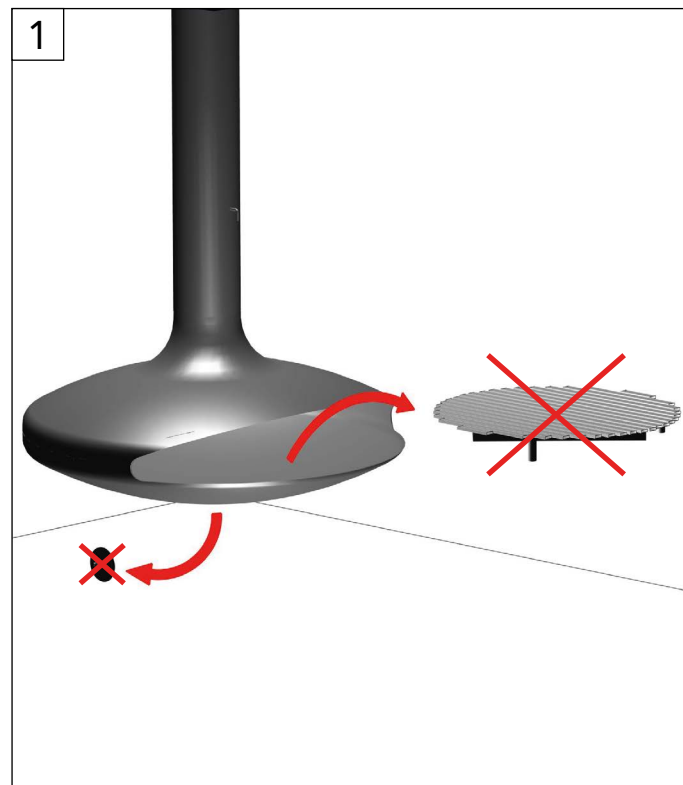
INSTALLATION INSTRUCTIONS

RETRO-FIT : OPEN WOOD-BURNING GYROFOCUS ALREADY INSTALLED

• Before burner installation

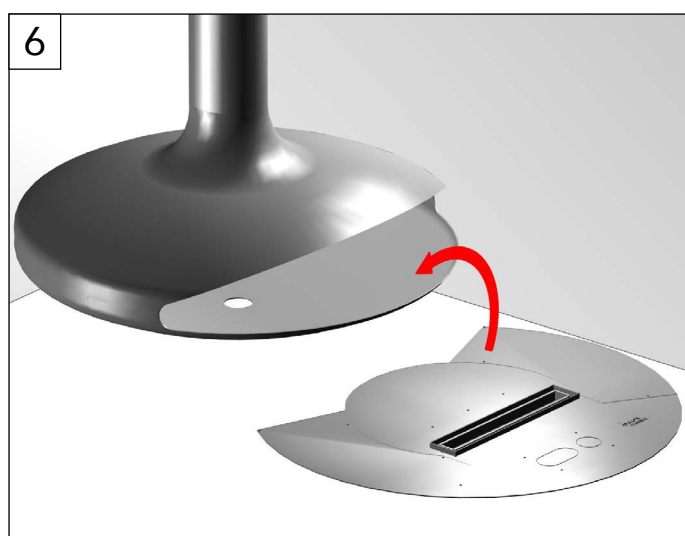
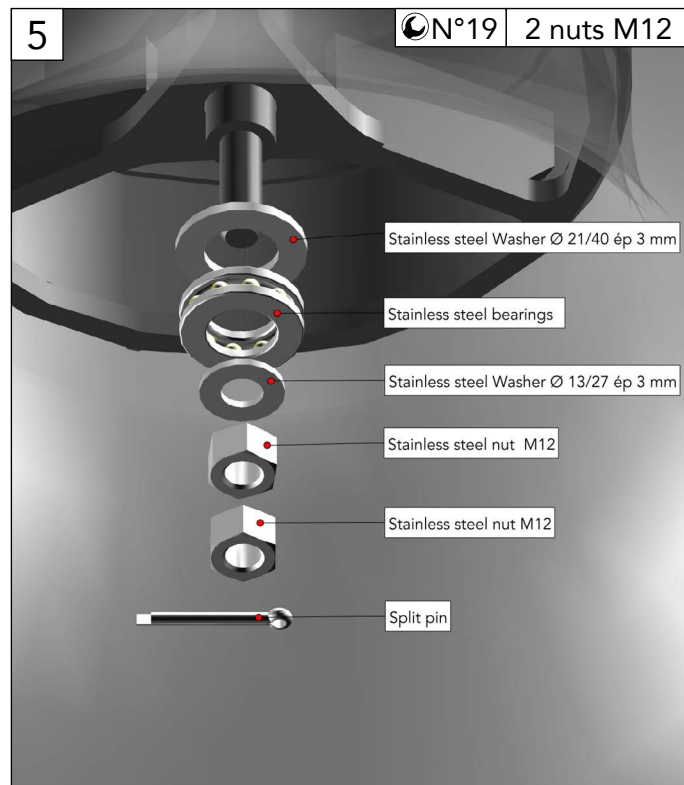
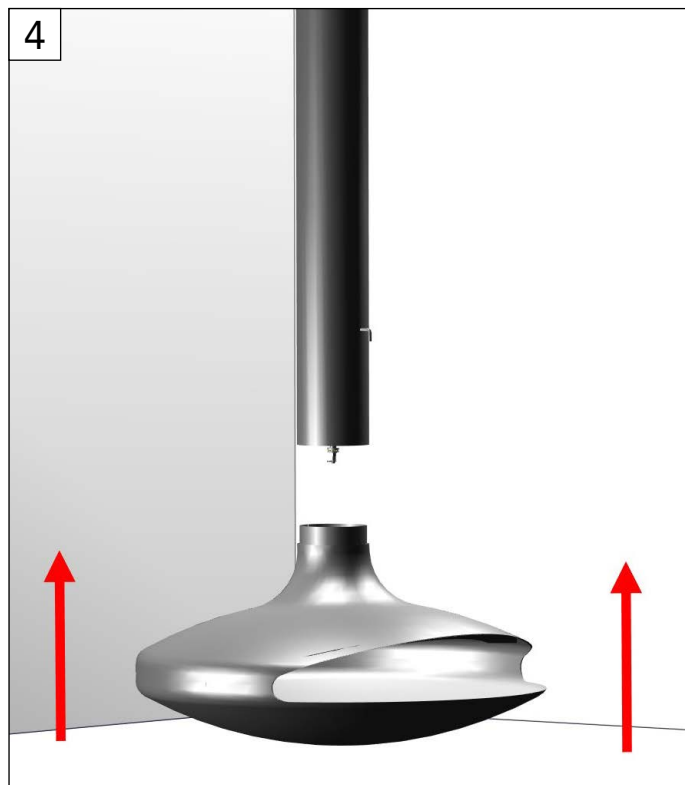
 Before installing the burner inside the fireplace, it is **IMPERATIVE** to:

1. Sweep the chimney.
2. Remove the fireplace grate.
3. Remove the ashtray hatch.
4. Replace the rotation device bearings with stainless steel bearings.



INSTALLATION INSTRUCTIONS

RETRO-FIT : OPEN WOOD-BURNING GYROFOCUS ALREADY INSTALLED




Once your fireplace is installed, please refer to the instructions for the installation of the ethanol burner.

INSTALLATION INSTRUCTIONS

RETRO-FIT : OPEN WOOD-BURNING GYROFOCUS ALREADY INSTALLED

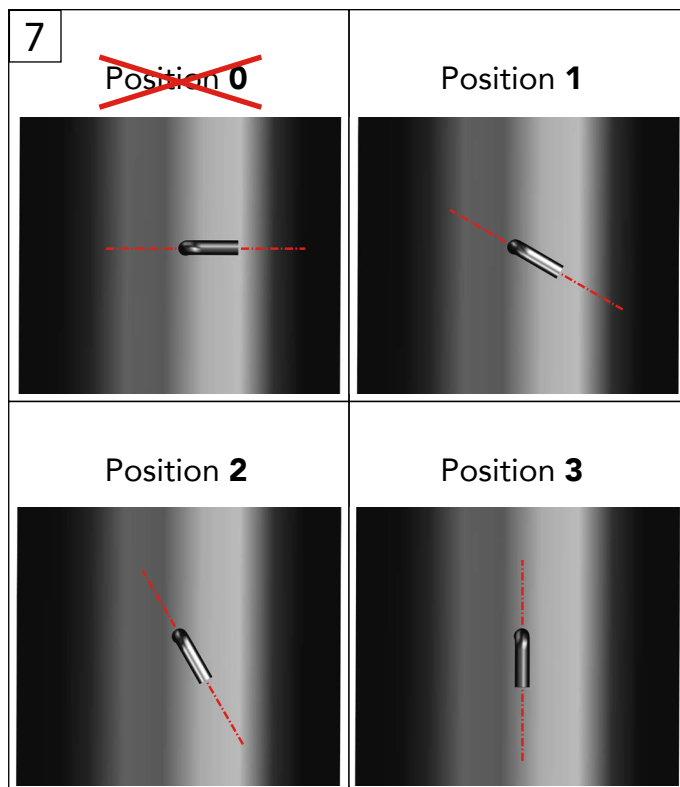
• Damper rules

The damper, located on the flue, is used for both regulating and blocking the smoke flue during periods of non-operation. Before igniting, check the position of the damper, with the handle indicating the position of the damper. To change the position, pull the damper towards oneself, turn it slightly, and push it back to achieve one of the 4 possible positions of the flap disc inside the flue.

 To ensure proper operation of the appliance and to benefit from the guarantee, it is **STRICTLY** forbidden to use position **0** as it would damage the burner.

We recommend using only positions **1** and **2**.

Position **3** may cause excessive draw, potentially disrupting the flame; therefore, we advise not using it.





CREATE BEYOND CONVENTION

Focus - Atelier Dominique Imbert
3 impasse Claque Patin - Viols le fort - France
S.A.S with a capital of 102 355 euros
www.focus-creation.com
Email : info@focus-creation.com