

IdealHouse

60cm Round Coffee Table

ASSEMBLY INSTRUCTION



Model:PHO_OPDY

TIPS!

1. Check all the components & screws are intact before assembling the table.
2. If you notice any pieces are missing or damaged please do not assemble and contact us immediately .
3. Send an email with your question/issue, and we will respond within 24 hours.
Customer service team: Idealhouse_service@hotmail.com



WARNING

The maximum load capacity for the wood table is 50lbs (22.68kg). Exceeding this capacity may result in table collapse and possible injury.

IMPORTANT SAFETY INFORMATION

Please carefully read the instructions and caution warnings below before assembling the table. Following this guide will ensure that you install, use and maintain the product properly.

- Please keep this installation and user manual/instructions for future reference in case you need to assemble the product.
- Never allow children to climb onto the product. Ensure that you have special safety measures when children are around on their own.
- Be sure to check that all parts of the product are intact after you open the package.
- Do not assemble if you notice serious damage such as cracks or bends.
- During installation, please use work gloves for hand safety.
- Please assemble the unit on carpeted floor or the flat cardboard box to avoid scratching the surface or your floor while assembling on the floor.

RETURN POLICY

We believe you will absolutely love your new coffee table. But for some reason you want to return your item, please contact us within 30 days after receiving and ensure that the table which you want to return is in a good condition, in the original box with all original certificates of purchase, manuals and accessories attached.

COMPONENTS

①

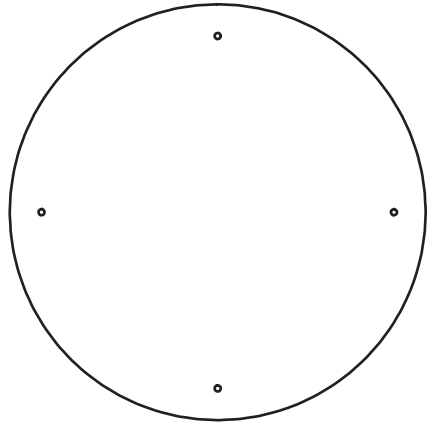


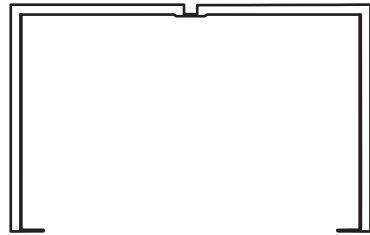
Table Top

②



Side Frame 1

③



Side Frame 2

Ⓐ



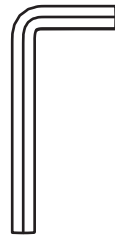
Screw*5

Ⓑ



Foot Screw*4

Ⓒ

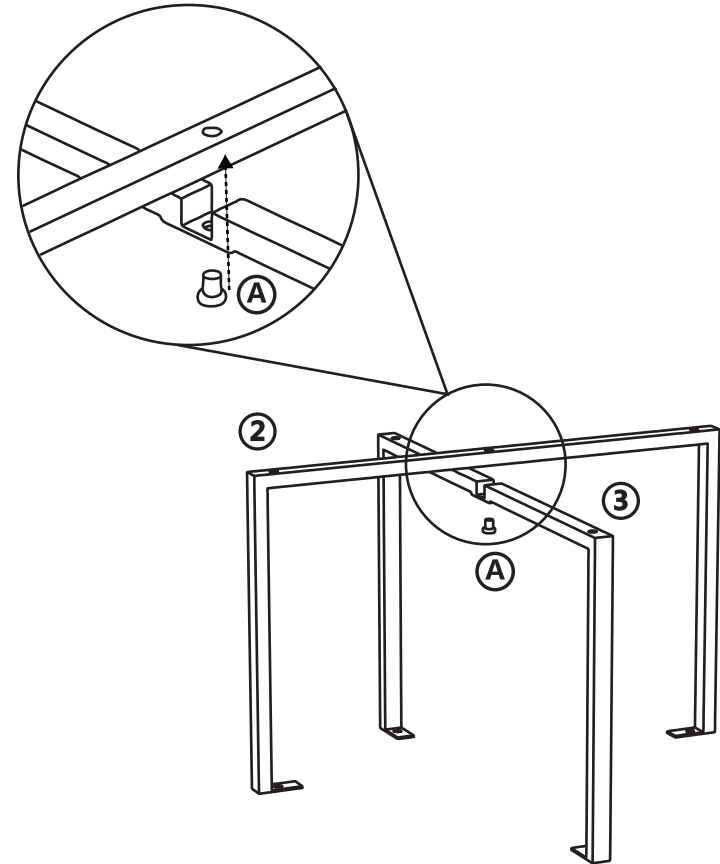


Allen Wrench*1

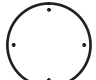

TIPS! Do not fully tighten all the screws before completing the full assembly of all pieces. This will prevent any possible disassembly problems.

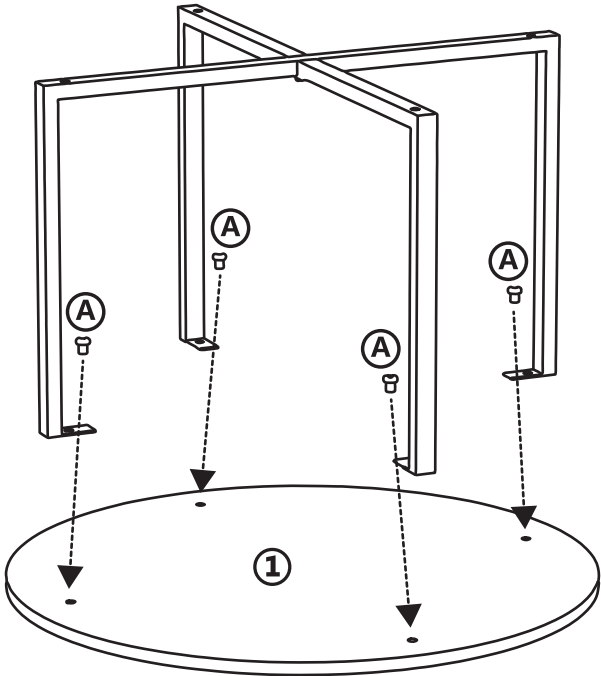
STEP1: SIDE FRAME ASSEMBLY

②		x1
③		x1
Ⓐ		x1



STEP2: ATTACH FULL FRAME TO TABLE TOP


①		x1
Ⓐ		x4

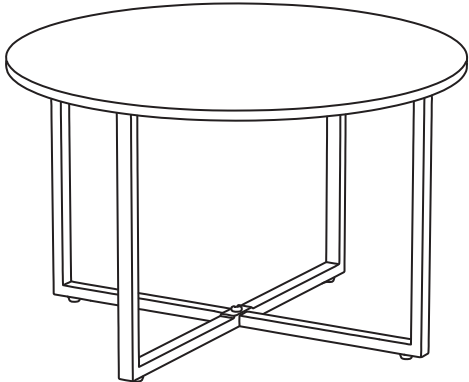
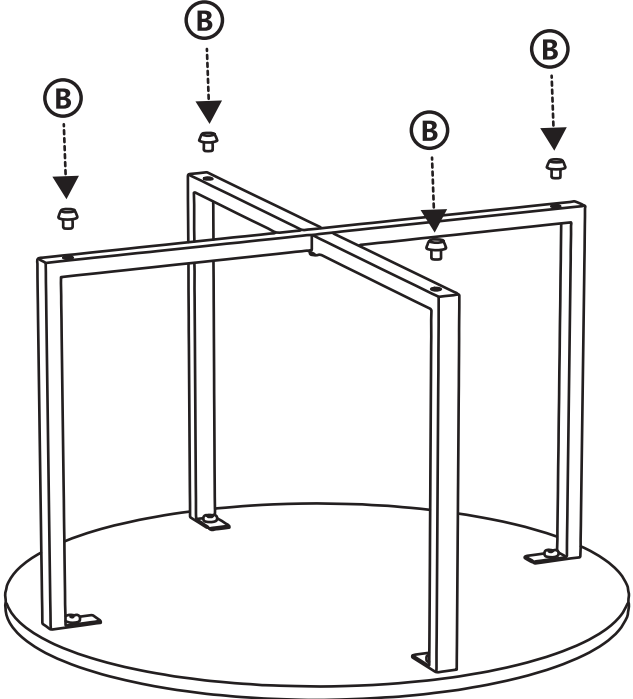


Note:

When the holes are not perfectly aligned with the metal base, you can slightly pull the frame outward to properly get the screws to fit.

STEP3: ATTACH FOOT SCREWS TO THE FRAME

Ⓑ		x4
---	---	----



HOW TO MAINTAIN YOUR TABLE:

- Check the screws of the table are not loose from regular use.
- Do not use sharp instruments, rubbing alcohol, corrosive chemicals, or abrasive cleaners to clean the table.
- Do not keep the table in a damp environment for a long period of time. The damp environment may cause the iron components to rust and the plates to bulge and crack.

IDEALHOUSE

Dear customer, thank you for purchasing Idealhouse products! We are proud to present our customers with high quality products!



If you have any product quality or use problems, please contact our customer service by email, we will ensure your satisfaction.



If you are satisfied with our products, please share your amazing experience with us and other customers! It would be our honor to hear from you!



Customer service team: **Idealhouse_service@hotmail.com**