

RYNO  **DECK**™

SMART STRONG SUPPORT

**THE FASTEST, EASIEST MOST DURABLE
DECKING SUPPORT SYSTEMS**

WWW.RYNOSUPPORT.COM



WHERE THREE WORDS ARE AT THE HEART OF EVERYTHING WE DO...

SMART. For over 25 years we've been developing innovative support systems that are strong, durable and make life easier. Quick to install and easy to adjust, our products have won praise for their versatility and have been designed to stand the test of time. As long as there are challenges out there, we will continue to find intelligent solutions.

STRONG. Ryno products promise unparalleled strength and quality. And they are guaranteed to last. We want our customers to rest assured that their Ryno product will stand the test of time, no matter what the environment. We are lucky to live in a time of innovation, where, with the right materials and know-how, almost anything is possible. At Ryno, we embrace this spirit and work hard to develop innovative products that allow you to work with greater creativity and flexibility, and then rely on our products to do the hard work.

SUPPORT. This word refers to the collective function of our systems; they support things. However, it doesn't stop there. With a commitment to bringing new products to the market and an expert team on hand to provide advice on all applications, all Ryno solutions are underpinned by an unsurpassed dedication to customer service. Ryno support systems are chosen by architects, designers, contractors, and home owners because they are quicker to install, cleaner and more versatile than conventional methods; but also because Ryno has become synonymous with outstanding client support - every step of the way.



WELCOME TO THE RYNODECK™ BROCHURE

Our decking support systems resolutely uphold everything Ryno stands for. From small domestic gardens to large scale development schemes, RynoDeck support products are chosen because of their simple yet effective designs, ease of installation, and most importantly the unsurpassed dedication to customer service that Ryno has become associated with.

IDEAL FOR USE IN:

- Roof areas, terraces, balconies, greenroofs
- Structural podium decks
- Communal/public areas
- Walkways/wheelchair access ramps
- Gardens/domestic properties
- Temporary paving areas
- Patio overlays/renovations

Does your project require a paving support system? Why not try RynoPave?



Paving Support Systems

Call us to discuss further, or visit www.rynosupport.com

SYSTEM 1

RYNODECK COMPLETE ALUMINIUM DECKING SUBSTRUCTURE SYSTEM

SYSTEM 2

RYNODECK SELF-LEVELLING ADJUSTABLE DECKING PEDESTALS

SYSTEM 3

RYNODECK FIXED HEAD ADJUSTABLE DECKING PEDESTALS

SYSTEM 4

RYNODECK DECKING SUPPORT CRADLES

SYSTEM 1 RYNODECK COMPLETE ALUMINIUM DECKING SUBSTRUCTURE SYSTEM

SYSTEM 2 RYNODECK SELF-LEVELLING ADJUSTABLE DECKING PEDESTALS

SYSTEM 3 RYNODECK FIXED HEAD ADJUSTABLE DECKING PEDESTALS

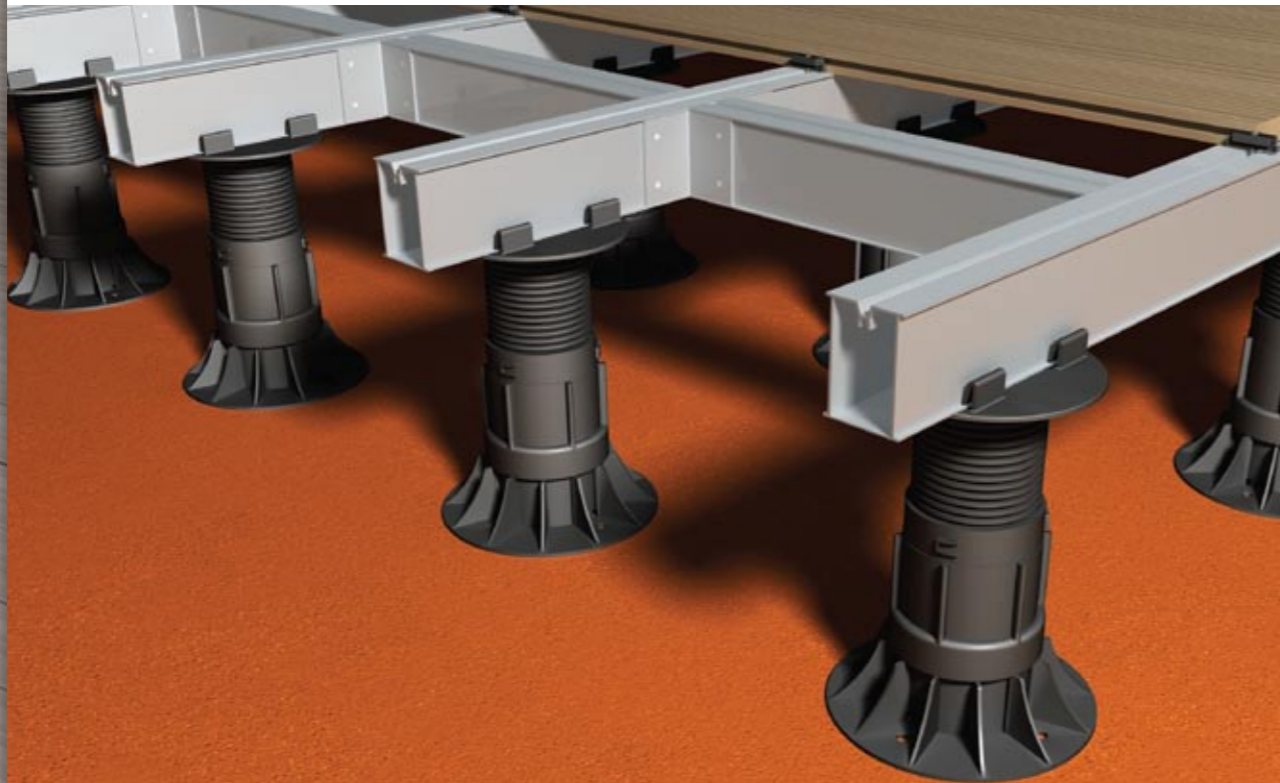
SYSTEM 4 RYNODECK DECKING SUPPORT CRADLES

SYSTEM 1 RYNODECK COMPLETE ALUMINIUM DECKING SUBSTRUCTURE SYSTEM

The RynoDeck aluminium substructure system is the ultimate decking support solution. Its simple and sturdy design ensures rapid installation regardless of the complexity of the project. It has been designed to support any conventional decking systems, making it the perfect option for all decking applications.

Fully compatible with our pedestal and cradle systems (Refer to systems 2, 3 & 4 for RynoDeck pedestals and cradles), this system benefits from the unparalleled adjustability and strength of support provided by all of the RynoDeck support products.

- Ultimate decking support solution
- Supports decking boards as low as 48mm, and as high as 1070mm
- Simple design - rapid installation
- Compatible with all RynoDeck pedestals and cradles
- Supports any type of conventional decking boards - softwood, hardwood, composite, PVC
- Powdercoating and anodising options available.



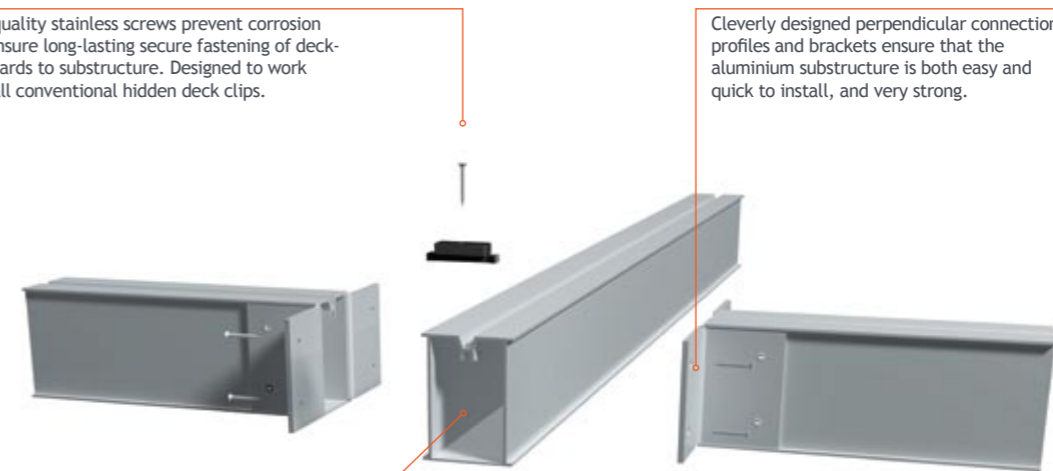
RYNODECK™ SYSTEM 1

DECKING FIXING

High quality stainless screws prevent corrosion and ensure long-lasting secure fastening of decking boards to substructure. Designed to work with all conventional hidden deck clips.

JOIST CONNECTOR PROFILES

Cleverly designed perpendicular connection profiles and brackets ensure that the aluminium substructure is both easy and quick to install, and very strong.



ALUMINIUM JOIST PROFILE

Two sizes of aluminium joist profile cater for any deck support requirements. With a continuous fixing channel designed to offer optimum fixing strength, the profiles are compatible with any board width. Extruded to high quality standards, the Rynodeck aluminium substructure offers numerous benefits over other joist materials

- Always completely straight, ensuring perfectly even decking
- Will not warp, twist, splinter or crack
- Superior longevity. The fact it will never rot ensures your deck will always have the support it needs.
- Lighter than traditional methods, imposing less weight on supporting roof structures
- Greater strength to size ratio than traditional joists such as timber, and composite joists

SUPPORTING PEDESTAL & CRADLES

The ultimate aluminium substructure; made even better by conjunction with the market leading RynoDeck pedestals and cradles. The RynoDeck aluminium substructure overcomes height restrictions with ease, with a minimum total support height of 50mm (supporting surface to underside of deck board). The system has extended height application covered as well though; maximum total support height is 1070mm!



SYSTEM 1 RYNODECK COMPLETE ALUMINIUM DECKING SUBSTRUCTURE SYSTEM

SYSTEM 2 RYNODECK SELF-LEVELLING ADJUSTABLE DECKING PEDESTALS

SYSTEM 3 RYNODECK FIXED HEAD ADJUSTABLE DECKING PEDESTALS

SYSTEM 4 RYNODECK DECKING SUPPORT CRADLES

SYSTEM 1 SIZES & SPECIFICATIONS

JOIST PROFILES



DS38 ALUMINIUM JOIST
Width: 48mm
Depth: 38mm



DS72 ALUMINIUM JOIST
Width: 48mm
Depth: 72mm

CONNECTIONS



DS-SC
Straight Joist
Connector



DS-AC
Angle Joist
Connector



DS-Downturn
'Step down' section



DS-Upturn
'Step up' section



DS-Step
Z-shape step
section



DS-SSDS
Stainless Steel
Decking screw



DS-SSJS
Stainless Steel
Joist screw

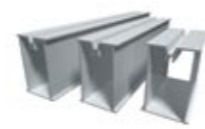
BESPOKE OPTIONS



POLYESTER POWDER-COATING
RynoDeck aluminium substructure can be powder coated to any RAL colour on request. This offers further protection for the aluminium in extreme environments and also allows for colour matching with decking boards or other materials.



ANODISING
RynoDeck aluminium substructure can be anodised to offer further protection and longevity in extreme or harsh environments.



BESPOKE LENGTHS/SIZES
Whilst all RynoDeck substructure components are manufactured and stocked to standard sizes, special sizes/lengths/angles are available to special order. Call Ryno to discuss your requirements.



PEDESTALS & CRADLES
The RynoDeck aluminium substructure has been designed to be used in conjunction with RynoDeck pedestals and cradles (see Systems 2,3 & 4 for more details).

RYNODECK SUBSTRUCTURE SPACING & QUANTITY CALCULATIONS

For help calculating quantities of aluminium substructure and components you require, or for any other guidance regarding your project, call Ryno on **01358 726005**.



TECHNICAL SPECIFICATIONS

Material	Aluminium Alloy 6063
Temper	T6
Finish	Mill finish as standard (see 'bespoke options' for other finishes)
Support Height	48 - 1072mm (when used in conjunction with RynoDeck pedestals/cradles)
Allowable load (uniformly distributed)	4.0 kN/m ² (further information available on request)
Allowable load (concentrated)	1.4 kN (further information available on request)
Supporting pedestals/cradles	See systems 2, 3 & 4 for technical specifications



SYSTEM 1 RYNODECK COMPLETE ALUMINIUM DECKING SUBSTRUCTURE SYSTEM

SYSTEM 2 RYNODECK SELF-LEVELLING ADJUSTABLE DECKING PEDESTALS

SYSTEM 3 RYNODECK FIXED HEAD ADJUSTABLE DECKING PEDESTALS

SYSTEM 4 RYNODECK DECKING SUPPORT CRADLES

SYSTEM 2 RYNODECK SELF-LEVELLING ADJUSTABLE DECKING PEDESTALS

The RynoDeck self-levelling adjustable pedestal is unrivalled in its field. Designed to support any type of decking or flooring joist, it offers the highest compressive of any pedestal system on the market. Its unique self-levelling head and impressive height range will accommodate even the most complex decking issues - including sloping areas, drainage and maintenance access.

- Unique self-levelling design offers slope correction up to 10.5%
- Ultimate compression strength for maximum durability
- Simple design ensures rapid installation
- For use with any joist size or type - timber, composite, aluminium, steel.

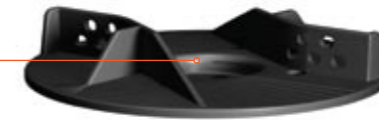
RYNODECK™ SYSTEM 2



SELF-LEVELLING BEARER SUPPORT HEAD

Due to its innovative self-levelling head design, RynoDeck has the fastest installation time of any pedestal system available.

- Utilises the 'ball & socket' joint concept to allow a free moving captive head
- Provides slope correction of up to 10.5% (6°)
- Paving or decking is laid onto the pedestals without having to manually adjust slope correction. This results in significant time savings and a perfectly level finished area
- Two sizes available to accommodate bearer thicknesses up to 100mm
- Alternative head available to support paving.



OPTIONAL DECK TILE HEAD

The Self-levelling Bearer Support Head is replaceable with a Deck Tile Head, if you wish to lay decking tiles.



ADJUSTABLE THREADED SECTION

This heavy grade threaded section allows you to adjust the height in minute increments, within the given range. It's easy to adjust, simply grab and twist.



HEIGHT EXTENSION COLLAR

A very simple design with a single 'click' motion to attach, these extension collars build up the pedestals in 100mm increments.



WIDE SUPPORTING BASE

- Pedestals are loose laid and do not require fixing to the floor
- Large diameter spreads loads and ensures stability
 - Prevents damage to roof membranes and other substructures
 - Can be fixed down into concrete, or loose laid on roof membranes etc
 - Incorporates water drainage holes to prevent moisture build-up.



SYSTEM 2 SIZES & SPECIFICATIONS

SIZE RANGE

The vast height range of the RynoDeck self-levelling adjustable pedestal allows it to overcome very large changes in surface level, and also conceal services, ductwork and pipes beneath the deck.



OPTIONAL COMPONENTS

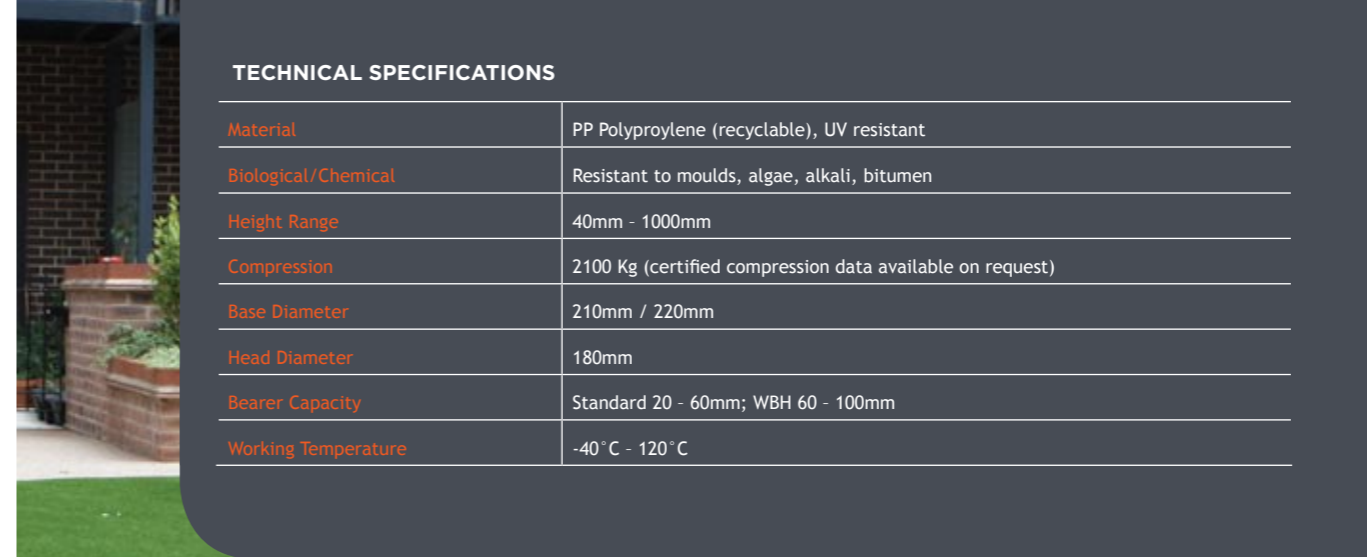


RYNODECK PEDESTAL SPACING & QUANTITY CALCULATIONS

For help calculating quantities of pedestals you require, or for any other guidance regarding your project, call Ryno on **01358 726005**.

TECHNICAL SPECIFICATIONS

Material	PP Polypropylene (recyclable), UV resistant
Biological/Chemical	Resistant to moulds, algae, alkali, bitumen
Height Range	40mm - 1000mm
Compression	2100 Kg (certified compression data available on request)
Base Diameter	210mm / 220mm
Head Diameter	180mm
Bearer Capacity	Standard 20 - 60mm; WBH 60 - 100mm
Working Temperature	-40° C - 120° C



SYSTEM 3 RYNODECK FIXED HEAD ADJUSTABLE DECKING PEDESTALS

The RynoDeck fixed head adjustable pedestal offers a high quality and economical option for supporting decking systems on completely level surfaces. Its impressive 22 - 550mm height range makes it perfect for areas with problematic height restrictions, as well as areas where greater height build up is required. With a simple but very effective design, this pedestal makes for a rapid and effortless decking installation.

- Robust product ensuring stability of decking area
- Perfect for very low height installations; adjusts down to 22mm
- Accommodates all types and sizes of decking joist.



RYNODECK™ SYSTEM 3

BEARER SUPPORT HEAD

Due to its low profile design, the RDF bearer support head allows this pedestal to go right down to 22mm height. The head utilises a clever connection which allows it to turn freely on top of the adjustable threaded section of the pedestal, meaning that the pedestal height can be adjusted once the joist is on top. Joists are loose laid on the head and located with the tabs, or can be mechanically fixed onto the head with a suitable fixing.

ADJUSTABLE THREADED SECTION

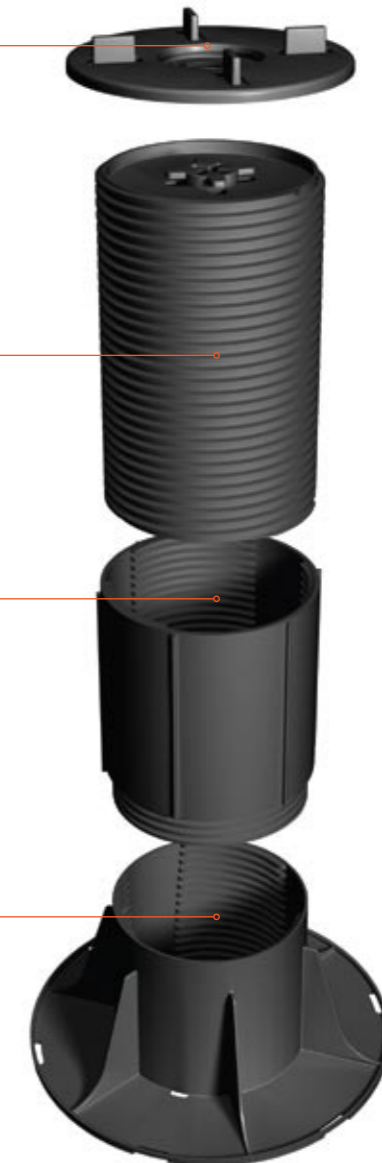
The robust threaded section allows for incremental height adjustment within the given range. Effortless to adjust, simply turn the section by hand, even once the joist is in place.

HEIGHT EXTENSION COLLAR

The extension collar part adds 126mm of height by simply threading onto the base of the pedestal. This simple yet sturdy connection makes light work of supporting decking areas right up to 550mm. It is not necessary to determine how many of these extension collars are required; the correct quantity is supplied according to what pedestal size is chosen.

SUPPORT BASE

The broad base spreads the load on the surface below and ensures stability. The pedestals are normally loose laid onto roofing membranes which must not be penetrated, or can be mechanically fixed to concrete or other substrates.



SYSTEM 3 SIZES & SPECIFICATIONS

SIZE RANGE

The RynoDeck fixed head adjustable pedestal is the perfect solution where decking is to be supported on a totally flat area. Capable of supporting joists as low as 22mm off the surface, it will overcome the common problem of height restrictions, as well as quickly and simply elevating decking areas up to 550mm high.



OPTIONAL COMPONENTS



RYNODECK PEDESTAL SPACING & QUANTITY CALCULATIONS

For help calculating quantities of pedestals you require, or for any other guidance regarding your project, call Ryno on **01358 726005**.

TECHNICAL SPECIFICATIONS

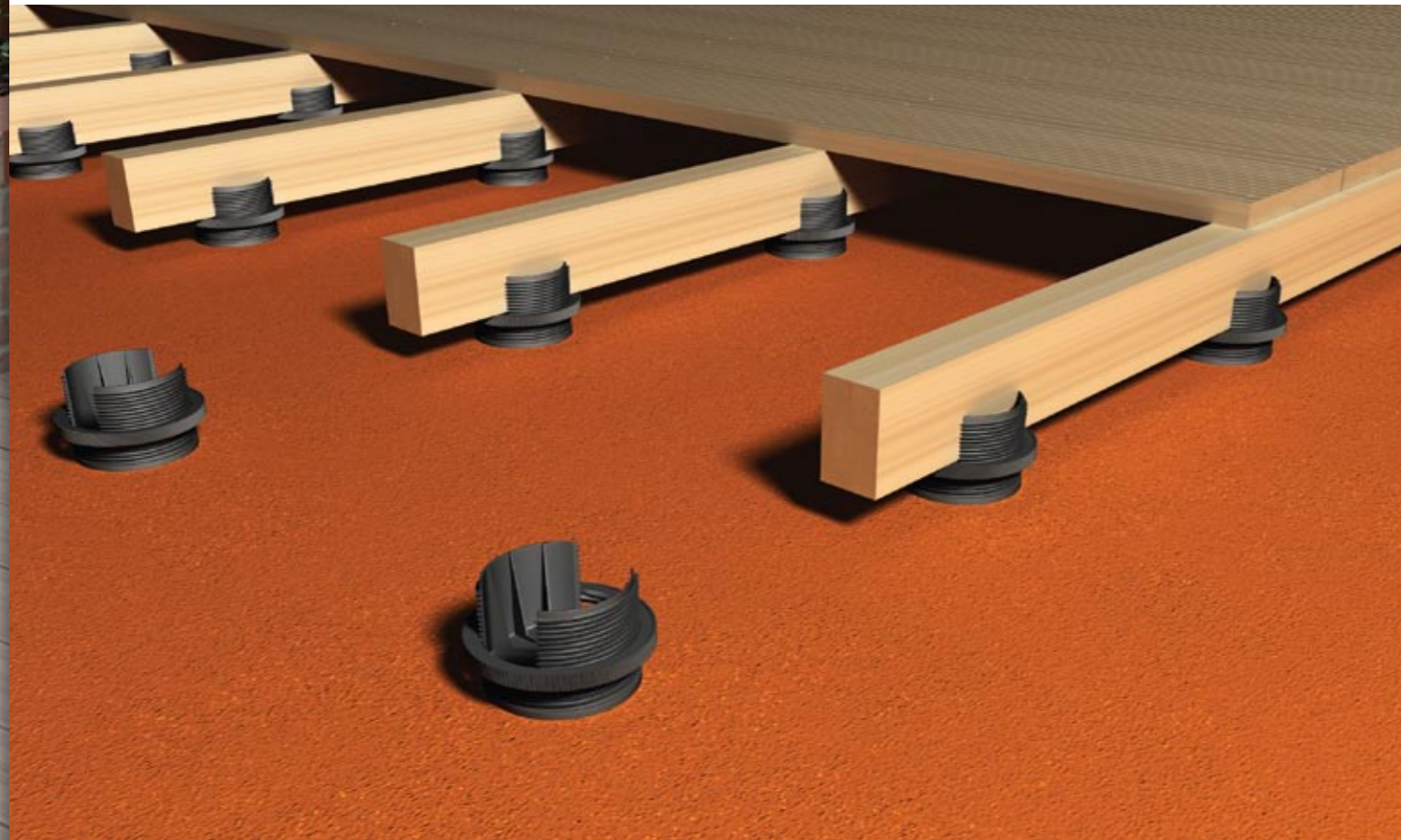
Material	PP Polypropylene (recyclable), UV resistant
Biological/Chemical	Resistant to moulds, algae, alkali, bitumen
Height Range	22mm - 550mm
Compression	1000kg
Base Diameter	200mm
Head Diameter	120mm
Bearer Capacity	30 - 63mm
Working Temperature	-40° C - 120° C



SYSTEM 4 RYNODECK DECKING SUPPORT CRADLES

RynoDeck cradles are the perfect solution where decking requires elevating off the ground by a minimal height. Simple to install and adjust, they are a very economical method of creating a clear space below the decking joists, which improves air circulation and can help to prevent rot.

- Supports very low decking applications, as low as 10mm support
- Perfect for patio overlays/renovations
- Ideal for creating balcony decking areas.



ADJUSTABLE DECKING CRADLE



RDC - 10-40
10-40mm Adjustable Cradle

The RynoDeck adjustable decking cradle offers joist support with infinite adjustment between 10 - 40mm.

TECHNICAL SPECIFICATIONS

Material	Recycled Nylon (glass filled)
Biological/Chemical	Resistant to moulds, algae, alkali, bitumen
Height Range	10 - 40mm
Compression	6 kN/m ² (min. 6 cradles/m ²)
Base Diameter	90mm
Bearer width capacity	44 - 48mm

FIXED HEIGHT DECKING CRADLES



RDC - 10
10mm Cradle



RDC - 20
20mm Cradle



RDC - 2
2mm Shim



RDC - 5
5mm Shim

Shims are for fine height adjustment with RDC - 10 and RDC - 20

RynoDeck fixed height cradles are a simple and versatile option for elevating decking joists off a flat surface. Made from recycled rubber, they evenly spread the load on the supporting surface.

TECHNICAL SPECIFICATIONS

Material	Rubber (92% recycled tyre tread)
Bonding Agent	Flexible Polyurethane
Biological/Chemical	Resistant to moulds, algae, alkali, bitumen
Height Range	10 - 40mm (min. 2mm increments)
Compression	800Kg
Base Size	100 x 100mm
Bearer Capacity	30 - 48mm

RYNODECK CRADLE SPACING & QUANTITY CALCULATIONS

For help calculating quantities of cradles you require, or for any other guidance regarding your project, call Ryno on **01358 726005**.



WWW.RYNOSUPPORT.COM



Helping you to work smarter

For over 25 years we've been developing innovative products that are strong, durable and make life easier. As long as there are challenges out there, we will continue to find intelligent solutions. Look out for them in the Ryno range of products.

RYNO  **DECK**™

Decking Support Systems

RYNO  **PAVE**™

Paving Support Systems

Ryno
Castlepoint
Castle Way
Ellon AB41 9RG

01358 726 005
sales@rynosupport.com

WWW.RYNOSUPPORT.COM

