

Catalytic Performance Pack - Instructions

Model: Dauntless



Kit Includes

- Ceramic Catalyst
- Temperature Probe & Bracket
- 3/16" Drill Bit
- (3) #8 Tek Screws

Tools Required

- Gloves
- Drill Gun
- 1/4" Nut Driver

Install the Ceramic Catalyst

1. Locate the access cover positioned at the rear center of the unit, Figure 1.
2. Remove the access cover by pulling straight up and out, Figure 2.
3. Install the catalyst by gently placing it into the cavity and straight down, Figure 3. Place the catalyst where the catalyst's ceramic components will not be damaged.

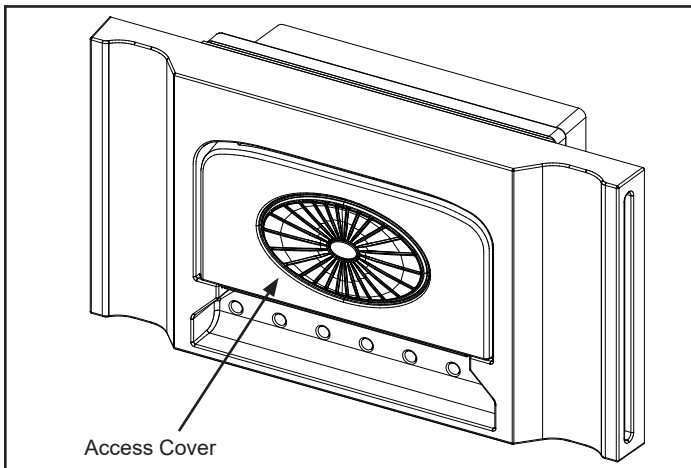


Figure 1 - Locate access cover.

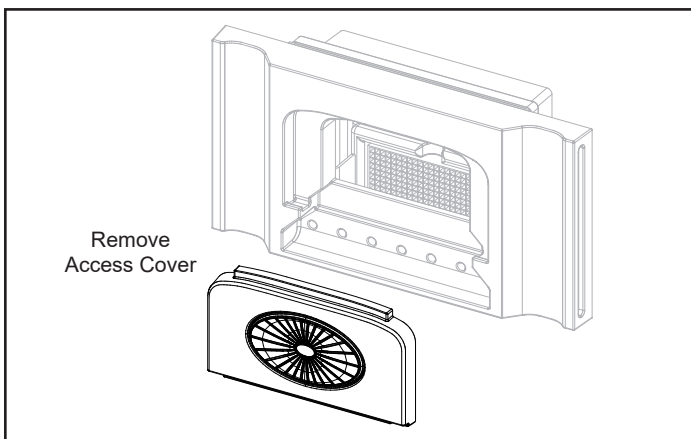


Figure 2 - Remove access cover.

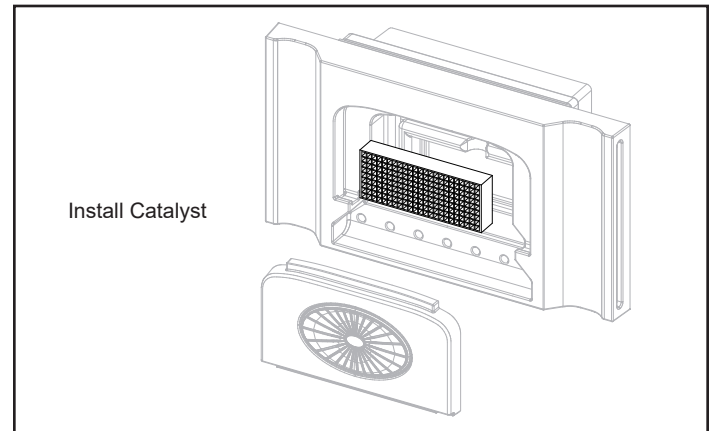


Figure 3 - Install catalyst.

Install the Catalyst Temperature Probe

1. Install the catalyst temperature probe by removing the knockout located at the back left hand side of the unit, Figure 4.
2. Once knockout is removed, drill a hole using the 3/16" Drill bit supplied in the dimple located just behind the air jacket.
3. Install thermostat duct, bracket and temperature probe using (2) #8 Tek screws also supplied in the kit.
4. Lastly, make sure to fold the bracket strap over catalyst probe and secure with remaining screw.

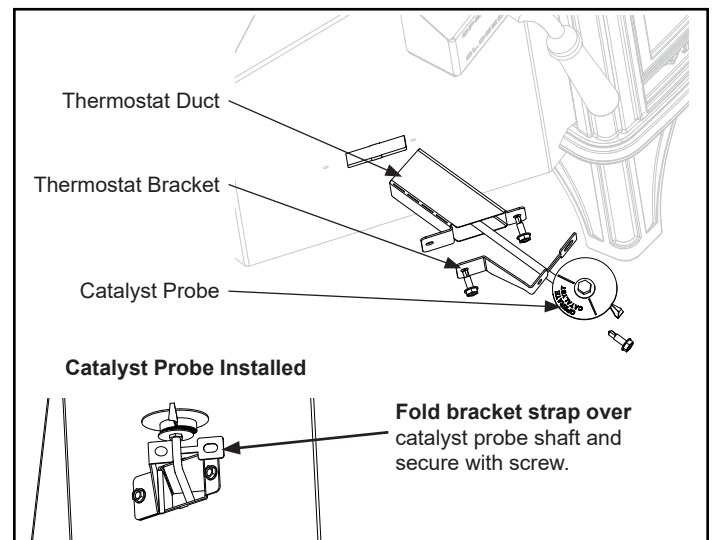


Figure 4 - Install the Catalyst Temperature Probe