

Vinyl Siding Protection Kit: VPK-DV INSTALLATION INSTRUCTIONS

CAUTION! Risk of Cuts or Abrasions. Wear protective gloves and safety glasses during installation. Sheet metal edges are sharp.

INTRODUCTION

The Vinyl Siding Protection Kit (VPK-DV) is designed to be used with the DVP-TRAP series of termination caps. When properly installed, the vinyl protection kit will help protect the exterior siding from overheating directly above the vent system termination cap.

NOTICE! If the vinyl protection kit is not installed properly, permanent discoloration or damage to vinyl siding and/or vinyl soffit may occur.

CONTENTS OF SHIPPING CARTON

Compare the contents of the shipping carton in Figure 1 with actual parts received. If any parts are missing or damaged contact your dealer before starting installation.

INSTALLATION PRECAUTIONS

Prior to installing the vinyl protection kit, determine that the venting system has been properly installed as described in the fireplace installation manual and the vent kit installation instructions.

The vent system termination cap must be located in its final position as shown in Figure 2. This is a minimum position as measured from the exterior wall.

CAUTION! Risk of Fire! DO NOT modify vent cap. Overheating and fire may occur.

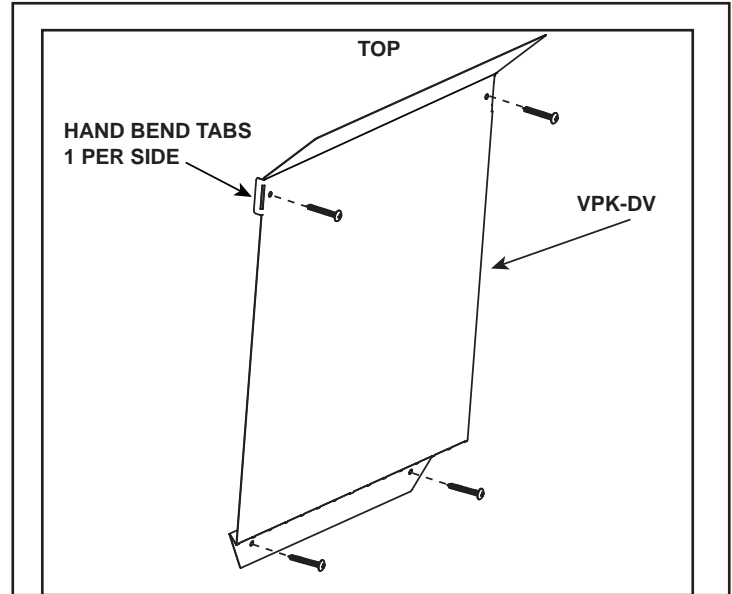


FIGURE 1

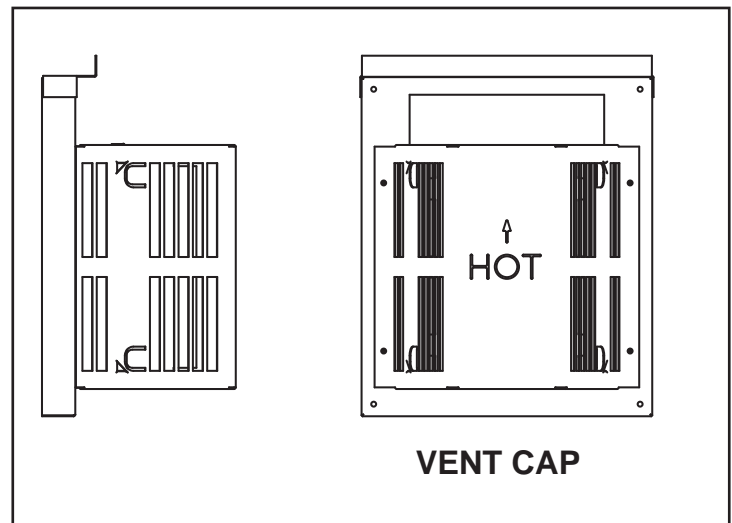


FIGURE 2

INSTALLATION INSTRUCTIONS

1. The VPK-DV heat shield is attached to the top of the DVP-TRAP termination cap. The bottom two pilot holes in the VPK-DV will correspond to two pilot holes in the top of the DVP-TRAP termination cap.
2. Align the two pilot holes in the VPK-DV with the corresponding two pilot holes in the termination cap. Secure VPK-DV to termination cap with the two screws provided.
3. Once the VPK-DV is secured to the termination cap, bend the VPK-DV along the long, horizontal hand bend. Ensure the two hand bend tabs are bent toward the vinyl siding as shown in Figure 3. There is one hand bend tab on each side.
4. Using the two pilot holes located in the top of the VPK-DV, secure the VPK-DV to siding with the two screws provided.

NOTE: After the VPK-DV has been installed, it can be painted with an exterior paint to match the exterior siding.

NOTE: Periodically check to see that the vent cap and the space between the heat shield and the wall are both free of any obstructions. Correct as necessary.

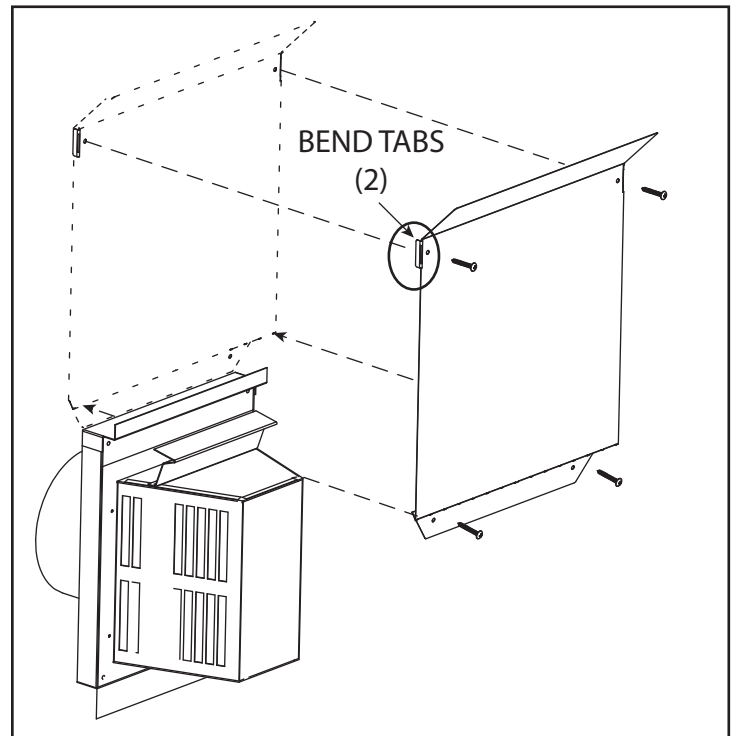


FIGURE 3

Please contact your Heat & Glo dealer with any questions or concerns.

For the location of your nearest Heat & Glo dealer, please visit www.heatnglo.com.

Heat & Glo, a brand of Hearth & Home Technologies Inc.
7571 215th Street West, Lakeville, MN 55044
www.heatnglo.com