



**Firebox Support Kit for
ICON60 & ICON100**

CAUTION

Sharp Edges




- Wear protective gloves and safety glasses during installation.

Note: An arrow (➔) found in the text signifies change in content.

Tools Required:

- Phillips screwdriver
- Stubby phillips screwdriver
- Drill
- 3/32 drill bit
- Pencil or pointed marker (Sharpie)

WARNING

**Fire Risk
Explosion Risk
Asphyxiation Risk**

This conversion kit must be installed by a qualified service agency in accordance with the manufacturer's instructions and all applicable codes and requirements of the authorities having jurisdiction. If the information in these instructions is not followed exactly, a fire, explosion or production of carbon monoxide may result causing property damage, personal injury or loss of life. The qualified service agency is responsible for the proper installation of this kit. The installation is not proper and complete until the operation of the converted appliance is checked as specified in the owner's instructions manual supplied with the kit.

1 Components

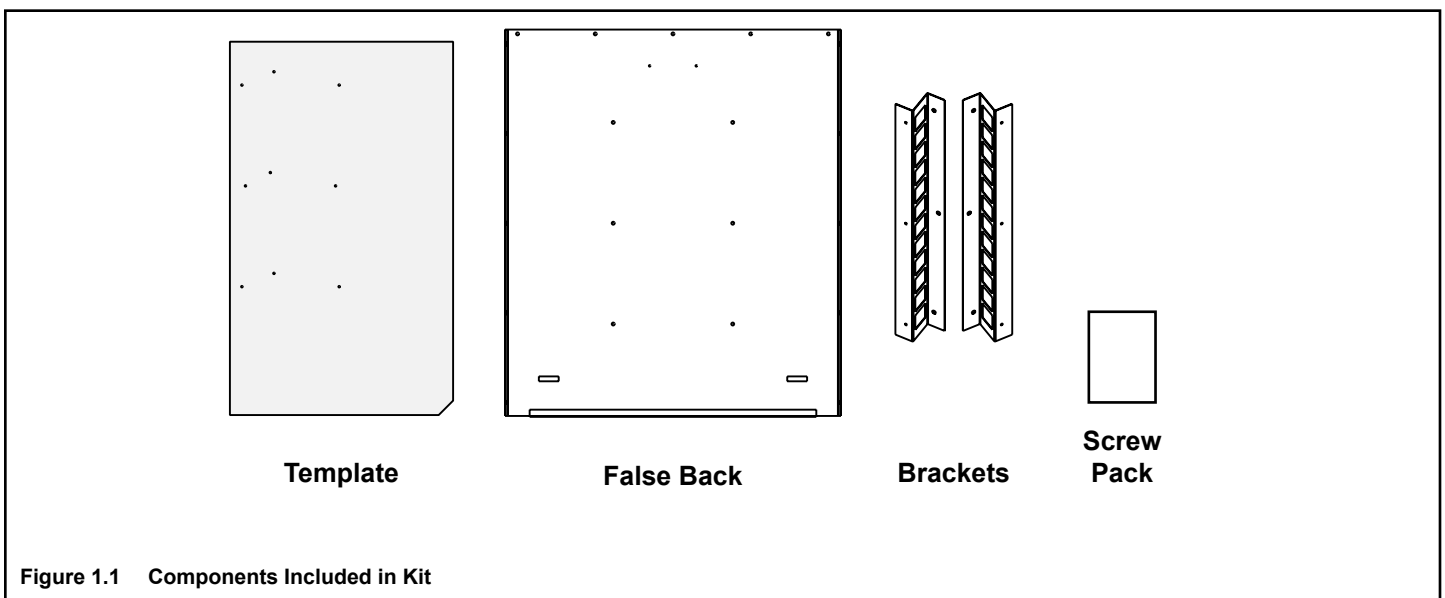


Figure 1.1 Components Included in Kit

2 Appliance Preparation

A. Remove Screen Front

- Locate spring pins in upper LH and RH corners of front. Pull down on pin to release front and rotate top of front away from appliance.



Figure 2.1 Remove Screen Front

- Lift up on the right side refractory so that swedge pin (see Figure 2.3) clears hole in glass frame.
- Lower and pull bottom of refractory forward until the top pin clears hole in glass frame. See Figure 2.4.
- Repeat for left side refractory.

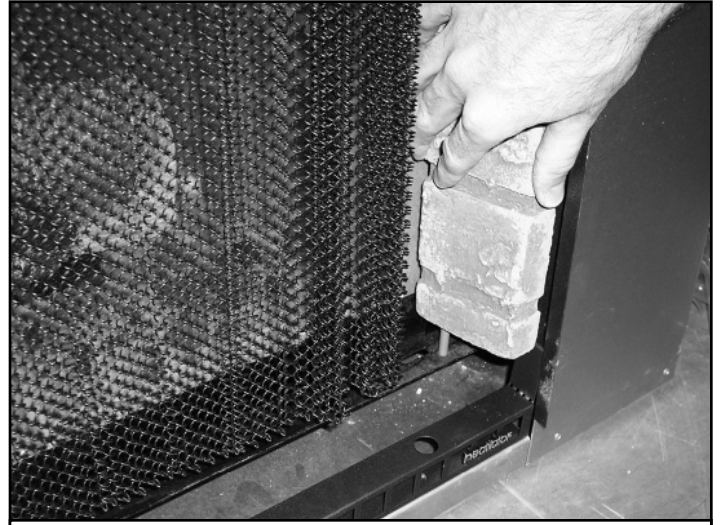


Figure 2.3 Clear Swedge Pin

B. Remove External Refractory

- Grasp front hearth refractory and slide forward from underneath side refractory panels. See Figure 2.2.



Figure 2.2 Remove Bottom Front Hearth Refractory



Figure 2.4 Clear Top Pin

C. Glass Panel Assembly

- To remove the glass panel assembly, release glass latches (six in ICON60I, ten in ICON100I). Lift glass frame assembly carefully off bottom glass support and set aside.
- To reinstall the glass panel assembly, center glass panel in opening, set on lower glass latches, tilt top in and fasten all glass latches.
- Refer to Figure 2.5.

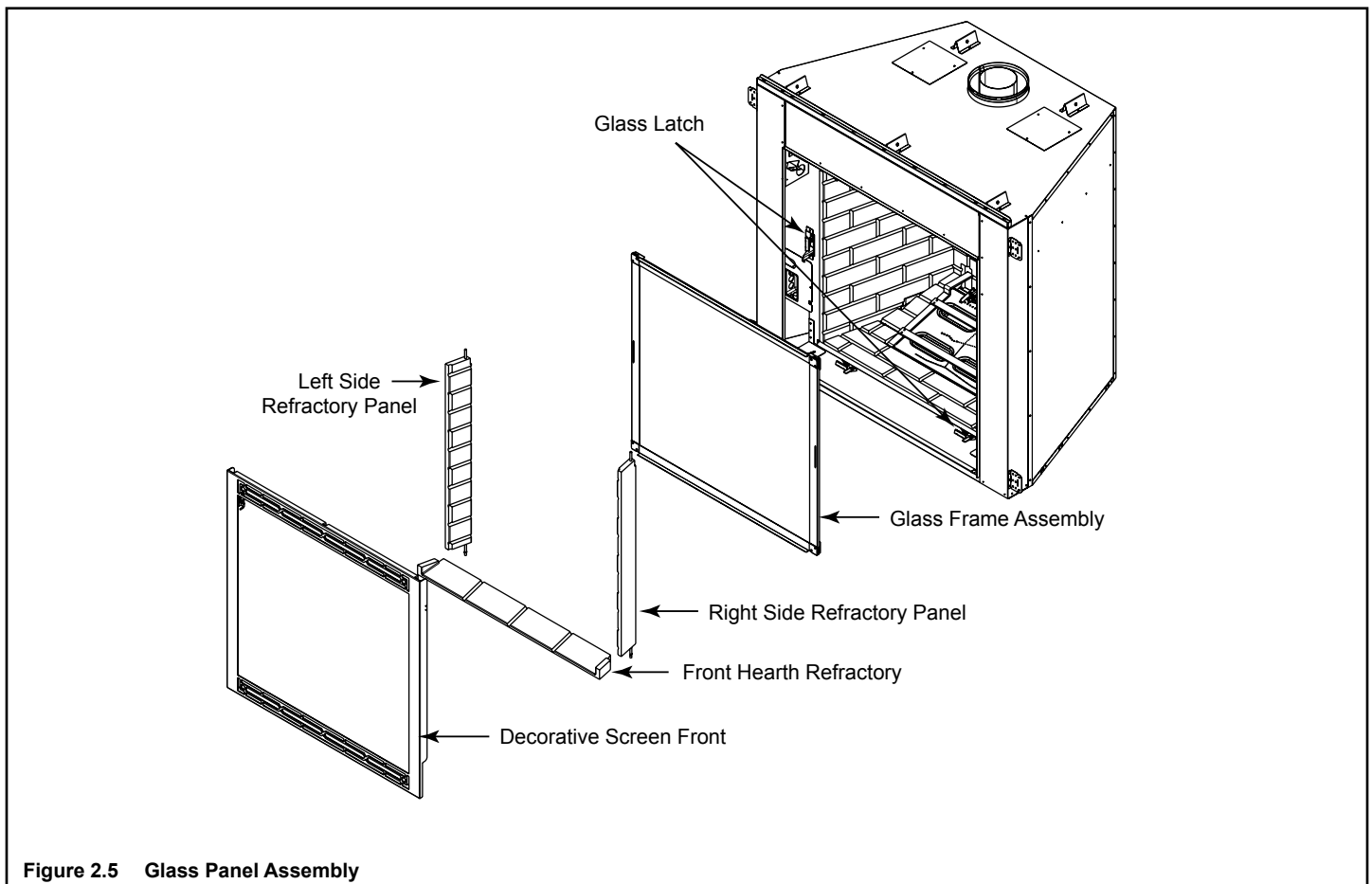


Figure 2.5 Glass Panel Assembly

D. Remove the Andirons

- Locate two screws holding the andirons (one per andiron). See Figure 2.6.
- Loosen screws, but do not remove them.
- Slide each andiron away from screw head toward firebox sides. Lift andirons and tip towards logs to remove.



Figure 2.6 Andiron Brackets

E. Burner and Pilot Access

- Remove front hearth refractory. See Figure 2.7.



Figure 2.7 Removing Front Hearth Refractory

- Remove three top logs.
- Remove two screws holding grate. See Figure 2.8.



Figure 2.8 Unscrewing Grate

- Lift and remove grate and log assembly. See Figure 2.9.



Figure 2.9 Removing Logs and Grate Assembly

- Remove left and right bottom side refractories. See Figure 2.10.



Figure 2.10 Removing Side Hearth Refractory

- Remove two screws attaching the pilot to the burner.
- Remove four burner support screws. See Figure 2.11.



Figure 2.11 Removing Burner Support Screws

- Slide the burner to the right, out of the air shutter. Lift and remove burner. See Figure 2.12.



Figure 2.12 Sliding the Burner

- Loosen left side refractory retainer and remove refractory by sliding it forward and out. See Figure 2.13.
- Loosen right side refractory retainer and remove refractory by sliding it forward and out.
- Remove back refractory retainer by removing two screws. Tip top of refractory forward and lift out.



Figure 2.13 Removing Left Side Refractory

3 Replacing False Back

A. Remove False Back

- Remove screws holding firebox false back. After screws are removed, slide false back to bottom of the firebox, tip the top of the false back forward until it clears all obstacles, lift and remove. Reserve the screws to use again in Section 3.D.

B. Template

The template has nine holes in it. The inner and outer sets of holes are for an ICON60. The middle set of holes is for an ICON100.

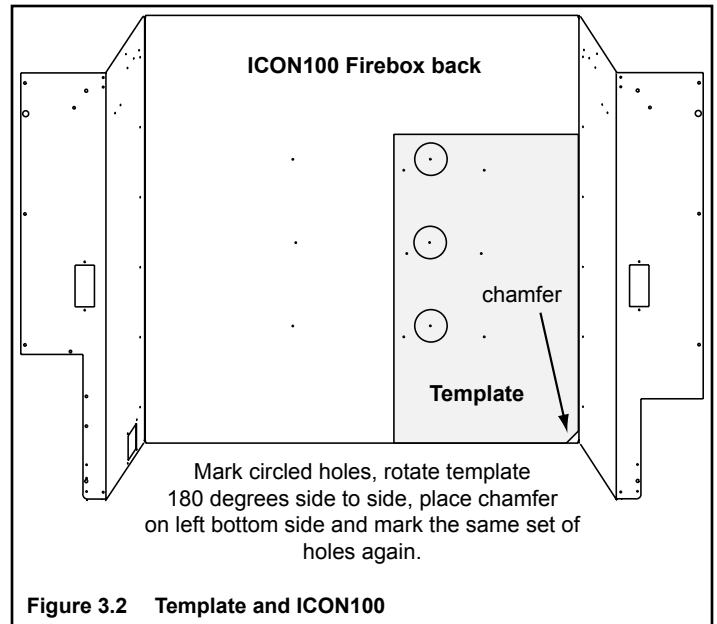
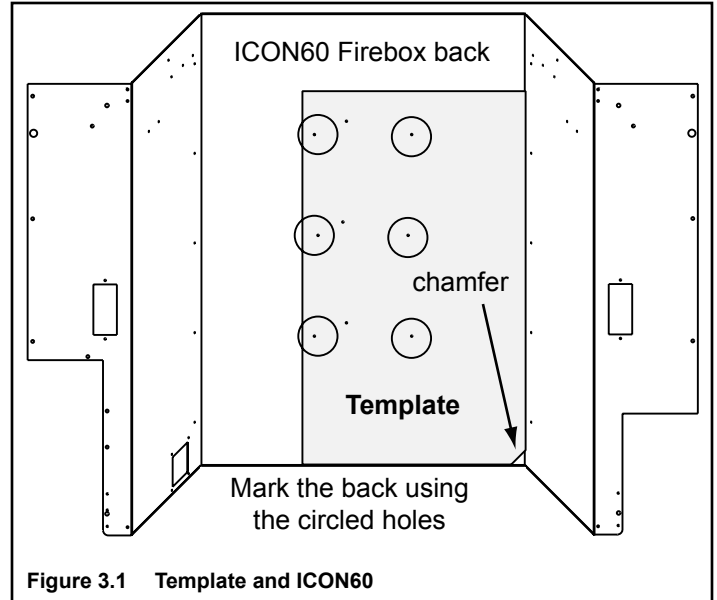
The bottom of the template has a chamfered corner (45-degree cut). This is always on the outside bottom.

ICON60

- Set the template against the firebox back with the chamfered corner against the outside bottom of the fireplace (right or left side, template is reversible). The side of the template should line up squarely with the side of the firebox where the side meets the back.
- Hold the template firmly in place and put dots on the firebox back (with a pencil or marker) through the inner and outer sets of holes. Refer to Figure 3.1.

ICON100

- Set the template on the firebox bottom and against the firebox back with the chamfered (45-degree cut) corner in the bottom left of the firebox.
- Make sure the template is sitting square on the bottom of the firebox, tight against the firebox back and butted up to the left side of the firebox.
- Hold the template firmly in place and put dots on the firebox back (with a pencil or marker) through the inner row of holes. See Figure 3.2.
- Rotate the template 180 degrees so the chamfered corner is in the back, bottom right corner of the firebox.
- Align as you did with the left side and mark through the holes.



C. Attach Firebox Supports

- Using a 3/32 in. drill bit, drill through the dots you drew on the firebox back.
- Align the larger holes in the supports with the holes you drilled in the firebox box, and attach the support with the screws provided.
- The flanges (of the supports) fastened to the firebox back should face the center of the unit. See Figure 3.3.

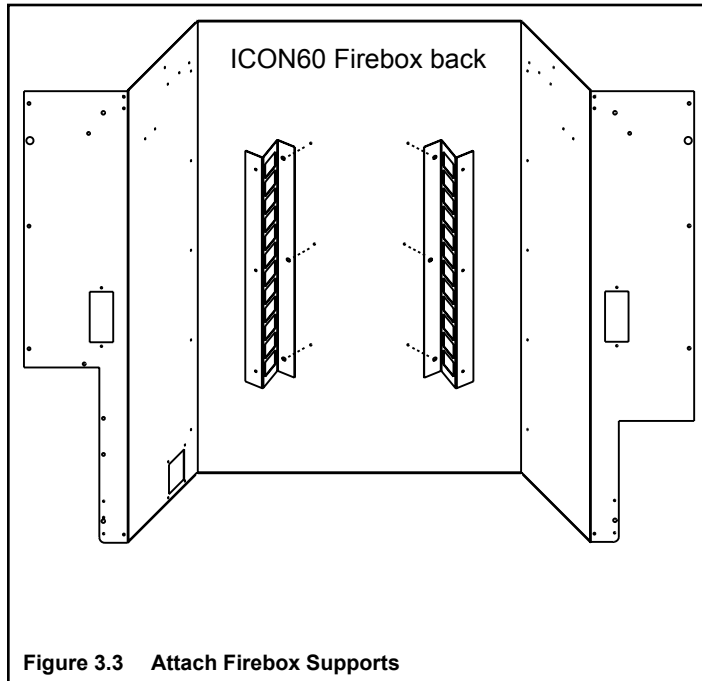


Figure 3.3 Attach Firebox Supports

D. Attach New False Back

- Attach the outside edges of the new false back (provided with kit) with the screws saved from Section 3.A.
- Use the screws provided with this kit to attach the false back to the supports installed in Section 3.C.

4 Final Steps

A. Reinstall All Other Parts

Reinstall the parts removed in Section 2 in reverse order. Refer to Figure 2.5.

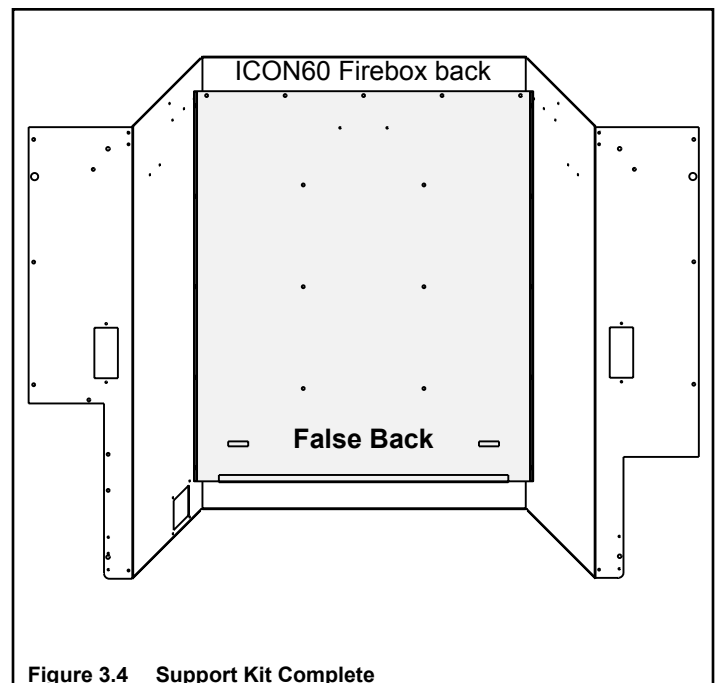


Figure 3.4 Support Kit Complete

This page intentionally left blank.