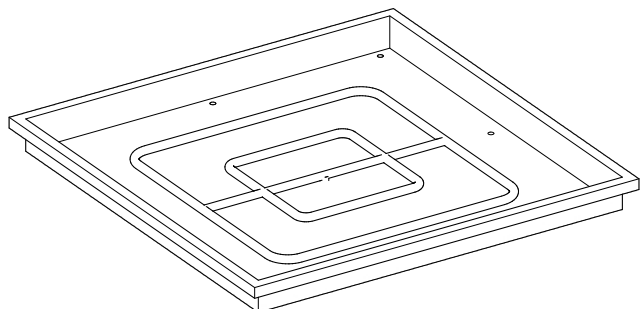
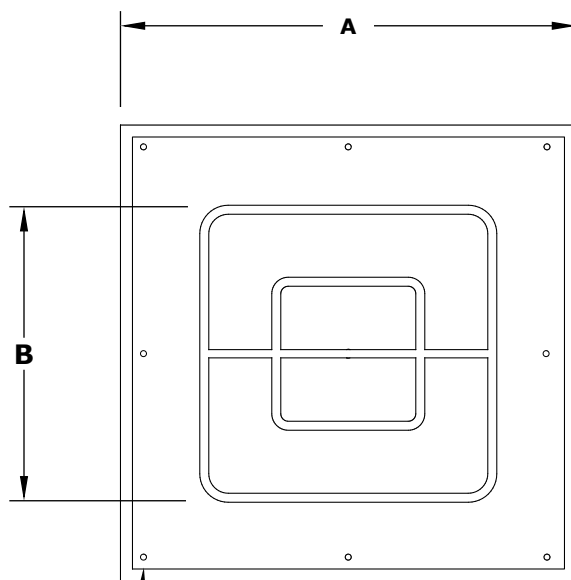


# RAISED LIPSQUARE DROP IN PAN & SQUARE BURNER MATCH LIT IGNITION

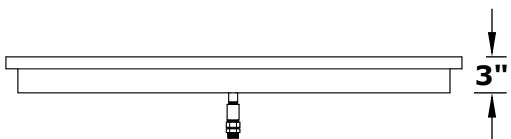


ISOMETRIC VIEW

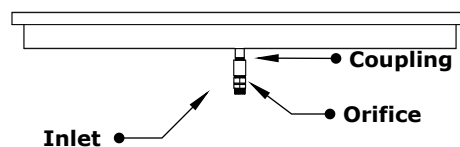


Drain Holes

TOP VIEW



RIGHT SIDE VIEW



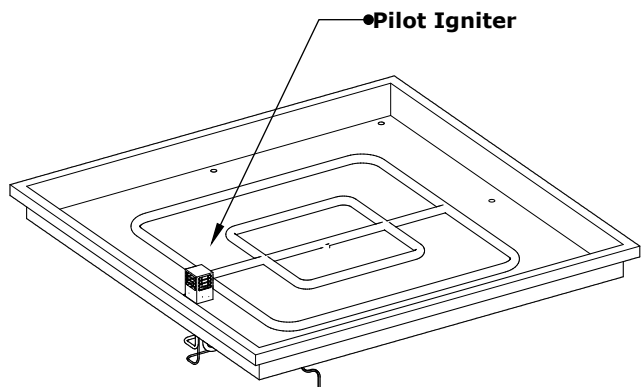
FRONT SIDE VIEW

SKU	A	B	RINGS	INLET	BTU
OPT-RSQR16	16.5"	12"	1 Ring	1/2"	90,000
OPT-RSQR18	18"	12"	1 Ring	1/2"	90,000
OPT-RSQR24	24"	18"	2 Rings	1/2"	160,000
OPT-RSQR30	30"	24"	2 Rings	1/2"	190,000
OPT-RSQR36	36"	30"	3 Rings	3/4"	310,000
OPT-RSQR48	48"	36"	3 Rings	3/4"	375,000

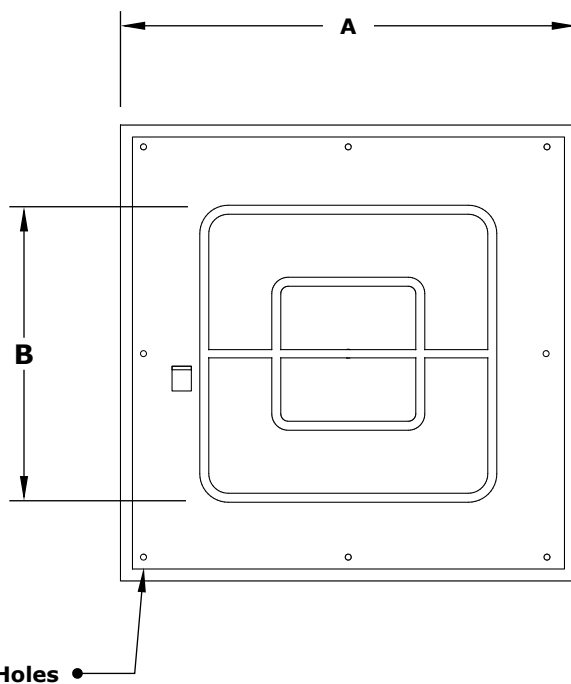
Pan Material: Aluminum  
Burner Material: Stainless Steel  
Ignition Type: Match Lit

Includes: Pan, Burner, Electronic Valve.

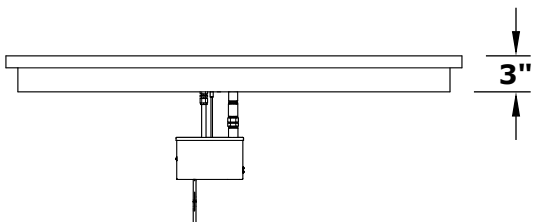
# RAISED LIPS SQUARE DROP IN PAN & SQUARE BURNER 12V ELECTRONIC IGNITION



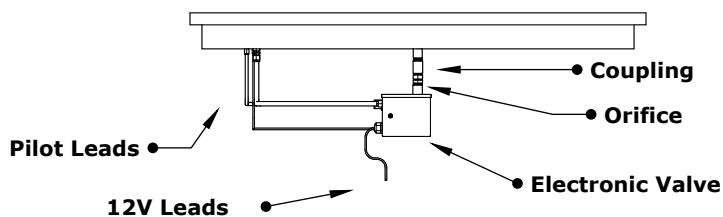
ISOMETRIC VIEW



TOP VIEW



RIGHT SIDE VIEW



FRONT SIDE VIEW

SKU	A	B	RINGS	INLET	BTU
OPT-RSQR16E12	16.5"	12"	1 Ring	1/2"	90,000
OPT-RSQR18E12	18"	12"	1 Ring	1/2"	90,000
OPT-RSQR24E12	24"	18"	2 Rings	1/2"	160,000
OPT-RSQR30E12	30"	24"	2 Rings	1/2"	190,000
OPT-RSQR36E12	36"	30"	3 Rings	3/4"	310,000
OPT-RSQR48E12	48"	36"	3 Rings	3/4"	375,000

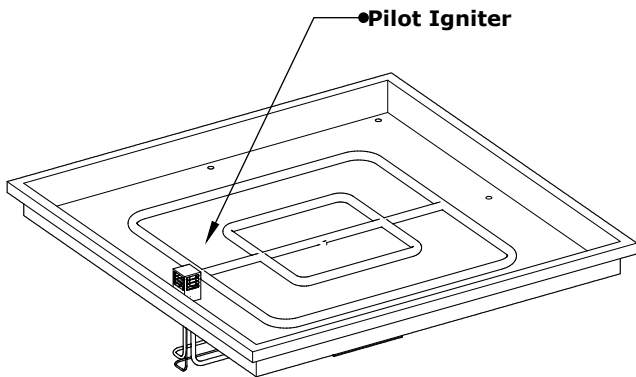
Pan Material: Aluminum  
Burner Material: Stainless Steel  
Ignition Type: 12V Electronic Ignition  
(12V Transformer Included)



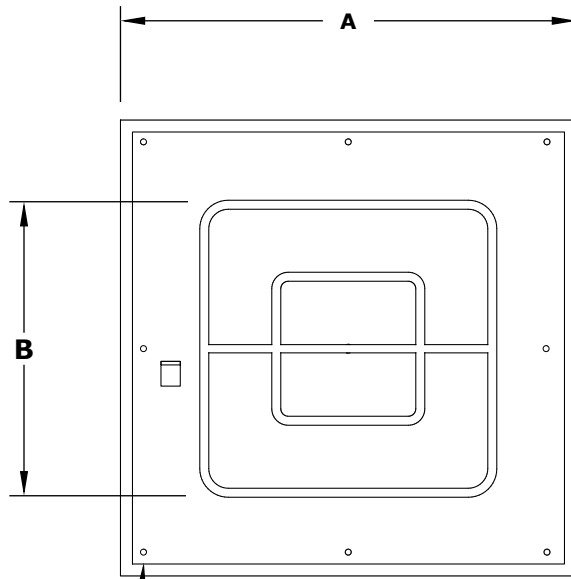
**12V ELECTRONIC IGNITION**  
ANSI Z21.97-(2017) / CSA 2.41-(2017)

Includes: Pan, Burner, Electronic Valve,  
Pilot Igniter, 12V Transformer.

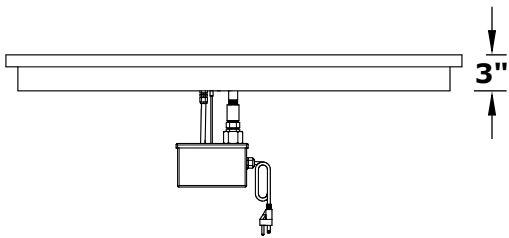
# RAISED LIPS SQUARE DROP IN PAN & SQUARE BURNER 110V ELECTRONIC IGNITION



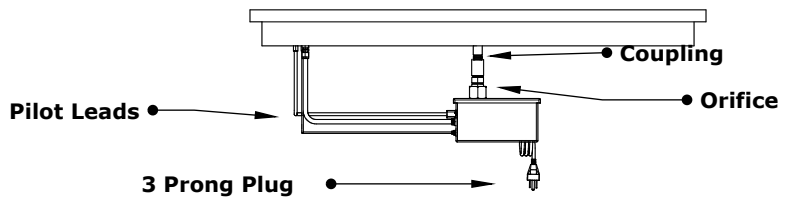
ISOMETRIC VIEW



TOP VIEW



RIGHT SIDE VIEW



FRONT SIDE VIEW

SKU	A	B	RINGS	INLET	BTU
OPT-RSQR16E110	16.5"	12"	1 Ring	1/2"	90,000
OPT-RSQR18E110	18"	12"	1 Ring	1/2"	90,000
OPT-RSQR24E110	24"	18"	2 Rings	1/2"	160,000
OPT-RSQR30E110	30"	24"	2 Rings	1/2"	190,000
OPT-RSQR36E110	36"	30"	3 Rings	3/4"	310,000
OPT-RSQR48E110	48"	36"	3 Rings	3/4"	375,000

Pan Material: Aluminum  
Burner Material: Stainless Steel  
Ignition Type: 110V Electronic Ignition  
(110V Transformer Included)



**110V ELECTRONIC IGNITION**  
ANSI Z21.97-(2017) / CSA 2.41-(2017)

Includes: Pan, Burner, Electronic Valve,  
Pilot Igniter, 110V Transformer.