

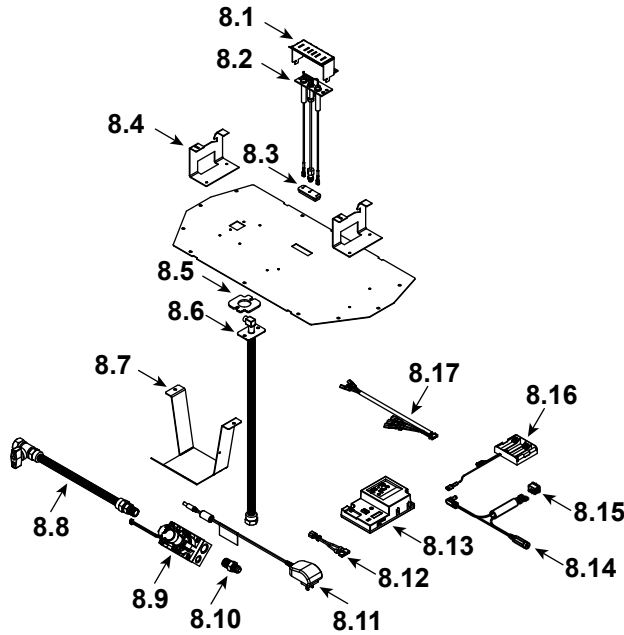
IMPORTANT: THIS IS DATED INFORMATION. Parts must be ordered from a dealer or distributor. **Hearth and Home Technologies does not sell directly to consumers.** Provide model number and serial number when requesting service parts from your dealer or distributor.



**Stocked at depot**

| ITEM | DESCRIPTION              | COMMENTS        | PART NUMBER         |   |
|------|--------------------------|-----------------|---------------------|---|
| 1    | Non-Combustible Support  |                 | 2492-104            |   |
| 2    | Top Fill                 |                 | 2492-135            |   |
| 3    | Non-Combustible Assembly |                 | 2492-079            |   |
| 4    | Base Pan                 |                 | 2492-113            |   |
| 5    | Burner Assembly          |                 | 2492-007            | Y |
| 6    | Glass Door Assembly      |                 | GLA-32HTL           | Y |
| 7    | Lower Panel              | Pre #LC5512333  | 2492-103            |   |
|      |                          | Post #LC5512333 | 2616-104            |   |
| 8    | Valve Assembly           |                 | Refer to Valve Page |   |
| 9    | Junction box             |                 | SRV4021-013         | Y |
| 10   | Heat Shield, Components  |                 | 2493-129            |   |

**#8 Valve Assembly**



IMPORTANT: THIS IS DATED INFORMATION. Parts must be ordered from a dealer or distributor. **Hearth and Home Technologies does not sell directly to consumers.** Provide model number and serial number when requesting service parts from your dealer or distributor.



**Stocked at Depot**

| ITEM | DESCRIPTION                    | COMMENTS     | PART NUMBER |   |
|------|--------------------------------|--------------|-------------|---|
| 8.1  | Pilot Shield                   |              | 2491-123    |   |
| 8.2  | Pilot Assembly NG              |              | 2106-169    | Y |
|      | Pilot Assembly Propane         |              | 2106-170    | Y |
| 8.3  | Grommet                        |              | SRV2118-420 |   |
| 8.4  | Burner Support, Left and Right | 1 Set        | 2491-169    |   |
| 8.5  | Gasket                         |              | 2025-407    |   |
| 8.6  | Bulkhead W/Flex Tube           |              | 4021-428    | Y |
| 8.7  | Valve Bracket                  |              | 2491-153    |   |
| 8.8  | Flex Ball Valve Assembly, 12"  |              | SRV302-320  | Y |
| 8.9  | Valve NG                       |              | SRV2166-302 | Y |
|      | Valve Propane                  |              | 2166-303    | Y |
| 8.10 | Male Connector                 | Pkg of 5     | 303-315/5   | Y |
| 8.11 | Transformer, 6 Volt Wall       |              | SRV2326-131 | Y |
| 8.12 | Jumper Wire                    |              | SRV2187-198 | Y |
| 8.13 | Module, Control IFT            |              | SRV2326-130 | Y |
| 8.14 | Reset Switch Wire              | Propane Only | 2550-135    | Y |
| 8.15 | Reset Switch                   | Propane Only | 2206-298    | Y |
| 8.16 | Battery Holder 4AA, IFT        |              | SRV2326-134 | Y |
| 8.17 | Harness, IFT 6 Pin Wiring      |              | SRV2326-132 | Y |
|      | Orifice NG (#45C)              |              | SRV582-845  | Y |
|      | Orifice Propane (1.25C)        |              | 582-8125    | Y |

Additional service part numbers appear on following page.

